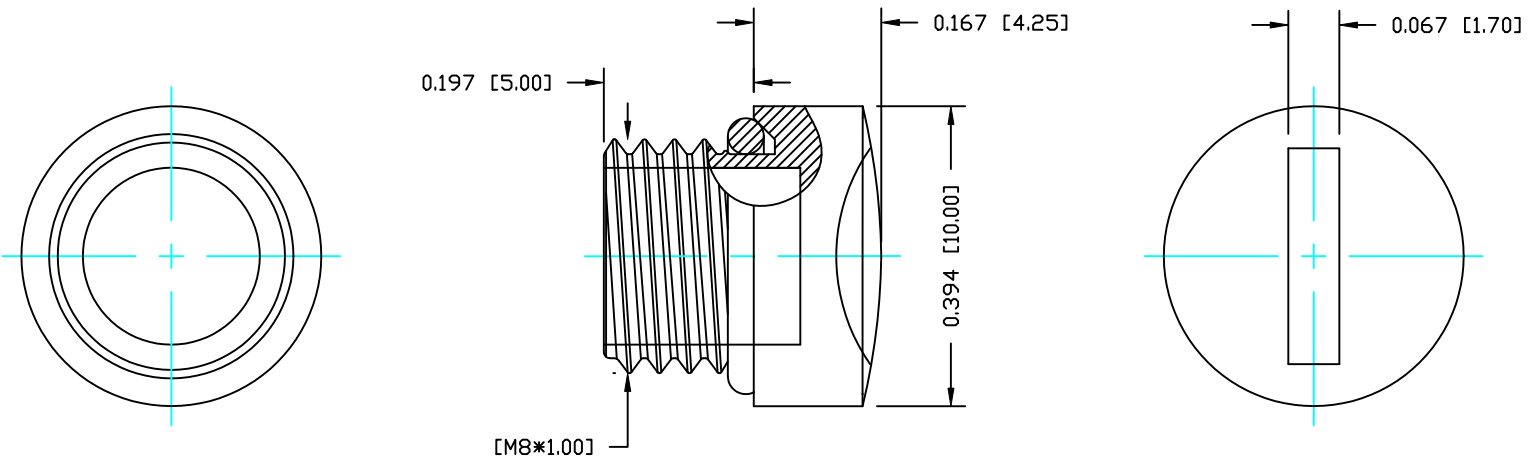


DESCRIPTION: M8 FEMALE DUST COVER

NOTE:

MATERIAL: BRASS
O-RING: NBR
FINISH: NICKEL 100µ"



RoHS COMPLIANT

DO NOT SCALE FROM DRAWING



THESE DRAWINGS AND SPECIFICATIONS ARE THE PROPERTY OF NorComp AND SHALL NOT BE REPRODUCED, COPIED OR USED AS THE BASIS FOR THE MANUFACTURE OR SALE OF APPARATUS WITHOUT WRITTEN PERMISSION.

DRAWN: C. SMITH

DATE: 12-12-14

CHECKED:

DATE:

NorComp

SCALE: NTS

SHEET 1 OF 1

REV 0

DWG NO. 854203M-DC