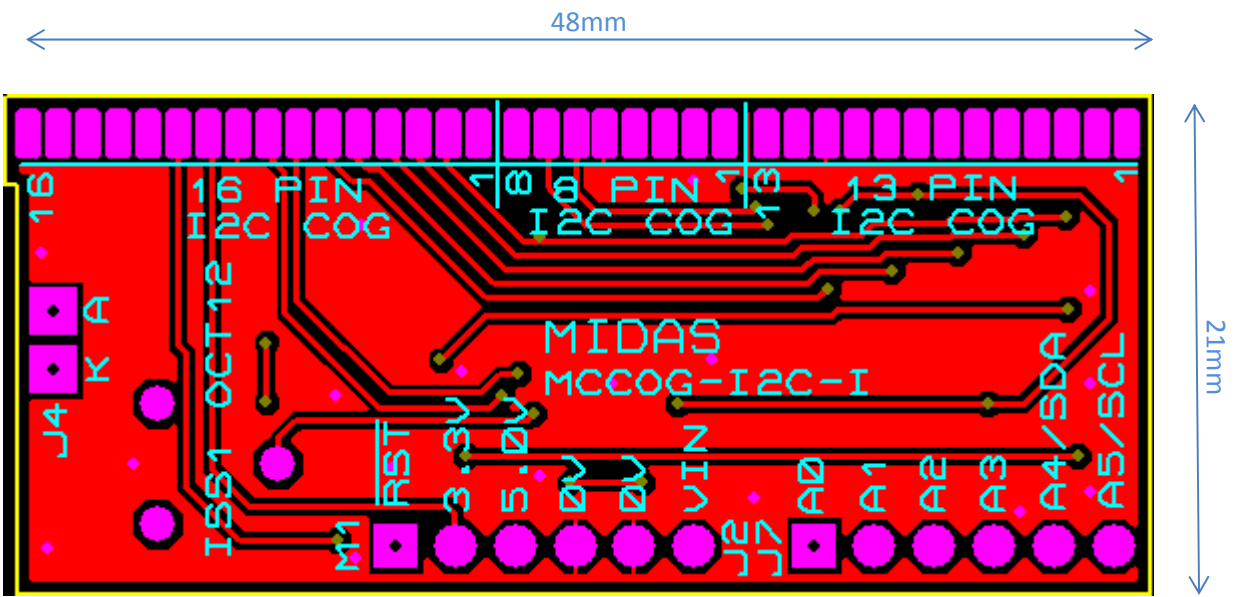
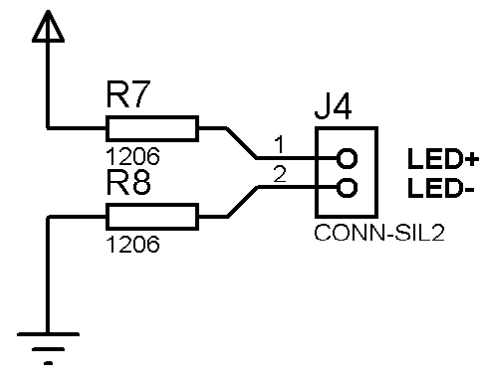
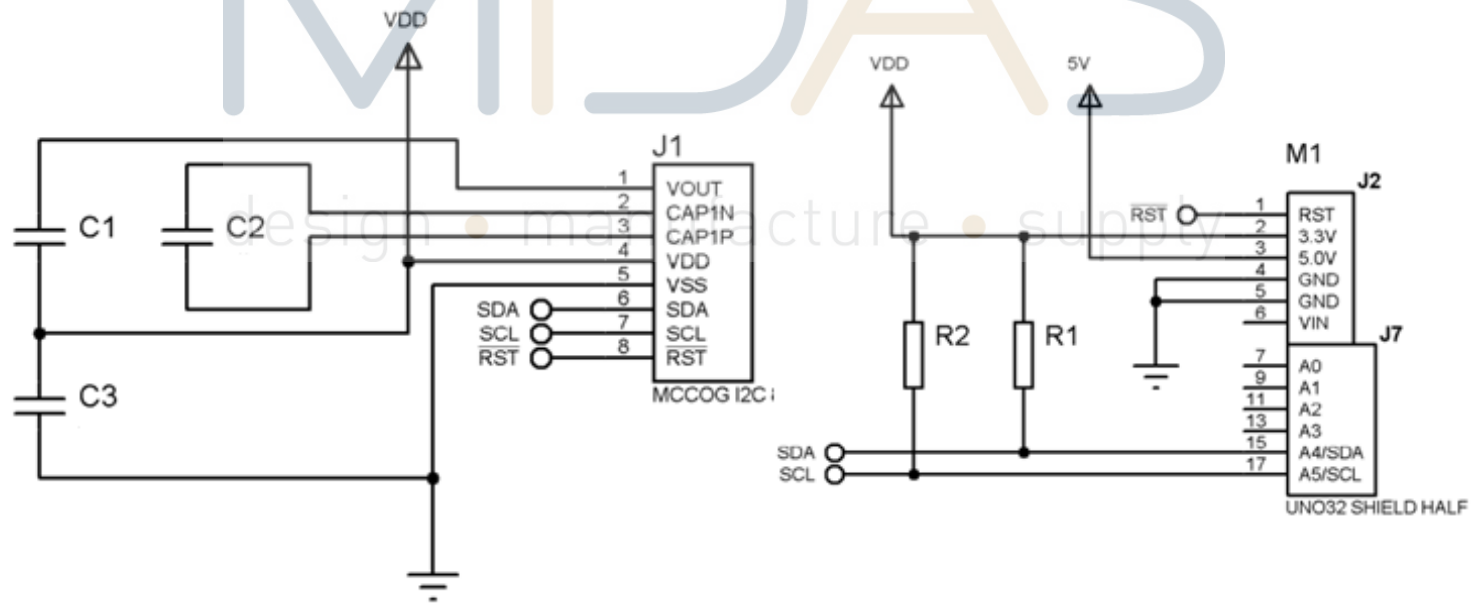


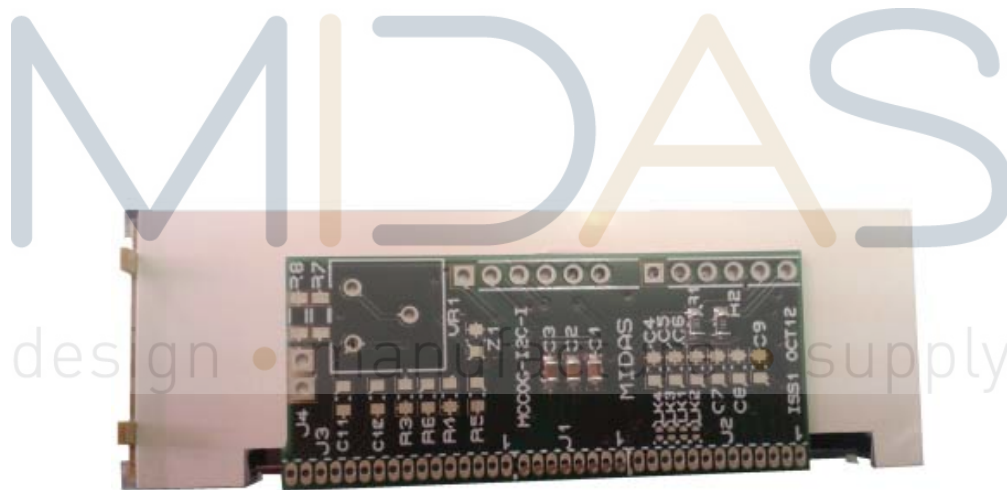
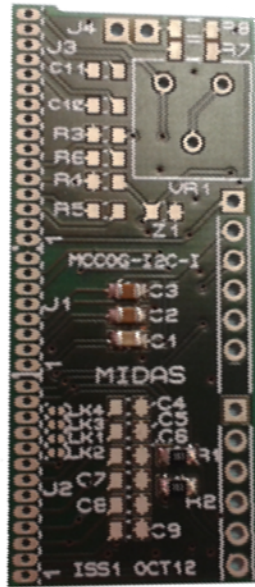
Specification	
Part Number:	MCCOG-I2C-I-8
Version:	1
Date:	17/03/2015
V	
8-Way compatible with MCCOG21605B, MCCOG21605C, MCCOG21605D, MCCOG22005A	
Revision	





MIDAS





Component	Value	Reference
Capacitor	1uF	C1
Capacitor	1uF	C2
Capacitor	1uF	C3
Resistor	4.7k Ω	R1
Resistor	4.7k Ω	R2