

PLEASE CHECK WWW.MOLEX.COM FOR LATEST PART INFORMATION

Part Number: [5010141474](#)
Status: **Active**
Description: 0.50mm Pitch Cradlecon™ I/O Plug, Surface Mount, Right Angle, Through Hole Shell Tabs, 14 Circuits, with Kapton Pick and Place Tape

Documents:

[3D Model](#) [Product Specification PS-59205-011 \(PDF\)](#)
[Drawing \(PDF\)](#) [RoHS Certificate of Compliance \(PDF\)](#)
[Product Specification PS-500887-002 \(PDF\)](#)

General

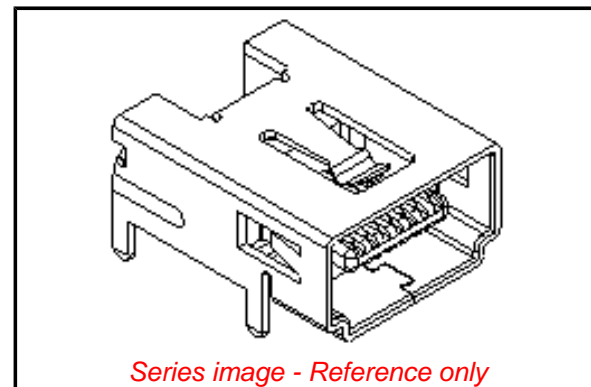
Product Family	I/O Connectors
Series	501014
Application	Wire-to-Board
Comments	With Kapton Tape
Component Type	Plug
Product Name	CradleCon™
Type	N/A
UPC	822348215355

Physical

Boot Color	N/A
Circuits (Loaded)	14
Circuits (maximum)	14
Color - Resin	Black
Gender	Plug
Lock to Mating Part	Yes
Material - Metal	Brass
Material - Plating Mating	Gold
Material - Plating Termination	Tin
Material - Resin	High Temperature Thermoplastic
Net Weight	391.060/mg
Number of Rows	2
Orientation	Right Angle
PCB Locator	Yes
PCB Retention	Yes
PCB Thickness - Recommended	0.80mm, 1.00mm
Packaging Type	Embossed Tape on Reel
Panel Mount	No
Pitch - Mating Interface	0.50mm
Pitch - Termination Interface	0.50mm
Plating min - Mating	0.203µm
Plating min - Termination	2.032µm
Polarized to Mating Part	Yes
Polarized to PCB	Yes
Ports	1
Surface Mount Compatible (SMC)	Yes
Temperature Range - Operating	-20°C to +60°C
Termination Interface: Style	Surface Mount
Waterproof / Dustproof	No

Electrical

Current - Maximum per Contact	0.4A
Shield Type	Full Shield
Shielded	Yes
Voltage - Maximum	30V AC (RMS)/DC



Series image - Reference only

EU ELV

Not Relevant

EU RoHS

Compliant

REACH SVHC

No -ED/39/2015 (15 June 2015)

Halogen-Free

Status

Low-Halogen

Need more information on product environmental compliance?

Email productcompliance@molex.com
Please visit the [Contact Us](#) section for any non-product compliance questions.

China ROHS
ELV

China RoHS
Green Image
Not Relevant

Search Parts in this Series

[501014 Series](#)

Mates With

Custom Harness, [500887-1419](#)

Material Info

Reference - Drawing Numbers

Product Specification
Sales Drawing

PS-500887-002, PS-59205-011, RPS-500240-003
SD-501014-007, SD-501014-008

This document was generated on 01/11/2016

PLEASE CHECK WWW.MOLEX.COM FOR LATEST PART INFORMATION