

**PLEASE CHECK WWW.MOLEX.COM FOR LATEST PART INFORMATION**

**Part Number:** [0565790519](#)  
**Status:** **Active**  
**Overview:** [Consumer USB Products](#)  
**Description:** USB On-The-Go (OTG) Mini-AB Receptacle, Right Angle, Through Hole Solder Tails and Shell Tabs, Lead-Free

**Documents:**

[3D Model](#) [Packaging Specification SPK-56579-001 \(PDF\)](#)  
[Drawing \(PDF\)](#) [RoHS Certificate of Compliance \(PDF\)](#)  
[Product Specification PS-56579-015 \(PDF\)](#)

**General**

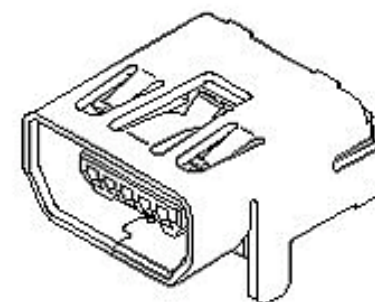
Product Family	I/O Connectors
Series	<a href="#">56579</a>
Application	Wire-to-Board
Component Type	Receptacle
Overview	<a href="#">Consumer USB Products</a>
Product Name	USB 2.0, USB OTG (On-The-Go)
Type	Mini-AB (OTG)
UPC	822348297177

**Physical**

Boot Color	N/A
Circuits (Loaded)	5
Circuits (maximum)	5
Color - Resin	Gray
Gender	Receptacle
Lock to Mating Part	Yes
Material - Metal	High Performance Alloy (HPA), Phosphor Bronze
Material - Plating Mating	Gold
Material - Plating Termination	Tin
Material - Resin	High Temperature Thermoplastic
Net Weight	0.759/g
Number of Rows	1
Orientation	Right Angle
PC Tail Length	1.80mm
PCB Locator	Yes
PCB Retention	Yes
PCB Thickness - Recommended	0.80mm
Packaging Type	Tray
Panel Mount	No
Pitch - Mating Interface	0.80mm
Pitch - Termination Interface	0.80mm
Plating min - Mating	0.762µm
Plating min - Termination	1.016µm
Polarized to Mating Part	Yes
Polarized to PCB	Yes
Ports	1
Surface Mount Compatible (SMC)	No
Temperature Range - Operating	-20°C to +85°C
Termination Interface: Style	Through Hole
Waterproof / Dustproof	No
Wire Size AWG	N/A

**Electrical**

Current - Maximum per Contact	1.0A
Shield Type	Full Shield



*Series image - Reference only*

**EU ELV**

**Not Relevant**

**EU RoHS**

**Compliant**

**REACH SVHC**

No -ED/39/2015 (15 June 2015)

**Halogen-Free**

**Status**

**Not Low-Halogen**

**Need more information on product environmental compliance?**

Email [productcompliance@molex.com](mailto:productcompliance@molex.com)  
Please visit the [Contact Us](#) section for any non-product compliance questions.

China ROHS

ELV

Green Image

Not Relevant

**Search Parts in this Series**

[56579 Series](#)

**Mates With**

[59205-3301](#) , [59204-9405](#)

Shielded  
Voltage - Maximum

Yes  
30V AC (RMS)/DC

**Material Info**

**Reference - Drawing Numbers**

Packaging Specification  
Product Specification

SPK-56579-001  
PS-56579-015, RPS-56579-004, RPS-56579-007,  
RPS-56579-009, RPS-56579-010  
SD-56579-014

Sales Drawing

This document was generated on 01/18/2016

**PLEASE CHECK [WWW.MOLEX.COM](http://WWW.MOLEX.COM) FOR LATEST PART INFORMATION**