

1500/2500 Series



**Contents**

<i>Description</i>	<i>Page</i>
1500/2500—Midsize AC Rated	
Midsize Non-Illuminated and Illuminated . . . .	<b>V11-T2-46</b>
Hi-Lite Rocker with High Inrush . . . . .	<b>V11-T2-47</b>
Technical Data and Specifications . . . . .	<b>V11-T2-48</b>
Dimensions . . . . .	<b>V11-T2-48</b>

**Product Description**

Eaton’s 1500/2500 series rocker switch offers a designer touch that will enhance any product line.

Ideal applications include appliances, electronic instrumentation, data processing, communications and medical and office equipment. Custom legends are available on the switch actuator and bezel.

**Options**

**High Inrush Option**

The 1500H/2500H is designed to handle high inrush currents up to 100A peak inrush for 10 milliseconds.

**Hi-Lite Rocker with High Inrush Option**

This two-color rocker version brightly indicates the ON position. This version spares the expense of more costly illuminated switches and is available with the high inrush option.

**Standards and Certifications**

**Note:** See Catalog Number Selection for more detail.

**International Approvals**

- UL Recognized
- CSA Certified
- ENEC
- RoHS Compliant ①



**Note**

① Visit [www.eaton.com/vcbu](http://www.eaton.com/vcbu) for the most up-to-date list of verified part numbers.

#### Midsize Non-Illuminated and Illuminated

To determine complete catalog number, start with the appropriate base circuit number and add the appropriate code letters and/or numbers.



2

#### Catalog Number Selection

##### How To Order—Midsize Non-Illuminated

Example: **1500** → **2 1 E 038**

Rating	Poles and Throw	Circuit with Rocker in ...			Base Circuit Number <sup>②</sup>	Circuit Number <sup>③</sup>
		UP Position	CENTER Position	DOWN Position <sup>①</sup>		
<b>UL/CSA:</b> 15A 125 Vac, 10A 250 Vac, 10A 28 Vdc, 8A 14VT; <b>ENEC:</b> 10(4)A 250V	1PST	ON MOM. ON ON	NONE NONE NONE	OFF OFF MOM. OFF	<b>1500</b> <b>1501</b> <b>1505</b>	1 3 4
	1PDT	ON ON	NONE NONE	ON MOM. ON	<b>1502</b> <b>1503</b>	5 7
<b>UL/CSA:</b> 15A 125 Vac, 10A 250 Vac, 10A 28 Vdc, 8A 14VT; <b>ENEC:</b> 10(2)A 250V	1PDT	ON	OFF	ON	<b>1504</b>	6
<b>UL/CSA:</b> 10A 125 Vac, 10A 250 Vac, 10A 28Vdc, 8A 14VT; <b>ENEC:</b> 10(2)A 250V	1PDT	MOM. ON MOM. ON	OFF OFF	MOM. ON ON	<b>1506</b> <b>1507</b>	9 8
	2PST	ON MOM. ON ON	NONE NONE NONE	OFF OFF MOM. OFF	<b>2500</b> <b>2501</b> <b>2505</b>	10 11 12
<b>UL/CSA:</b> 15A 125 Vac, 10A 250 Vac, 10A 28 Vdc, 8A 14VT; <b>ENEC:</b> 10(4)A 250V	2PDT	ON ON	NONE NONE	ON MOM. ON	<b>2502</b> <b>2503</b>	13 15
	2PDT	ON	OFF	ON	<b>2504</b>	14
<b>UL/CSA:</b> 10A 125 Vac, 10A 250 Vac, 10A 28 Vdc, 8A 14VT; <b>ENEC:</b> 10(2)A 250V	2PDT	MOM. ON MOM. ON	OFF OFF	MOM. ON ON	<b>2506</b> <b>2507</b>	17 16

Code letters and/or numbers.  
Add to base circuit number.

**Base and Bezel Color**  
1 = Black  
2 = White  
3 = Red

**Rocker Color**  
1 = Black  
2 = White  
3 = Red

**Terminal Type**  
E = 6.3 mm tabs/0.25 in quick connect  
B = Solder lugs

**Note:** B style terminal not offered for 1506 Series.

**Legend Type (Optional)**  
038 = ON/OFF  
See Most Popular Legends table on Page V11-T2-55.

##### How To Order—Midsize Illuminated

Example: **2500** → **G 2 2 E 725**

Rating	Poles and Throw	Circuit with Rocker in ...			Base Circuit Number <sup>②</sup>	Circuit Number <sup>③</sup>
		UP Position	CENTER Position	DOWN Position <sup>①</sup>		
<b>UL/CSA:</b> 15A 125 Vac, 10A 250 Vac, 10A 28Vdc, 8A 14VT; <b>ENEC:</b> 10(4)A 250V	1PST	ON MOM. ON	NONE NONE	OFF OFF	<b>1500</b> <b>1501</b>	18 21
	2PST	ON MOM. ON	NONE NONE	OFF OFF	<b>2500</b> <b>2501</b>	28 30

Code letters and/or numbers.  
Add to base circuit number.

**Lens/Rocker Color**  
A = Amber  
G = Green  
R = Red  
W = White (clear)

**Lamp Voltage**  
0 = No lamp  
1 = 125V neon  
2 = 250V neon  
4 = 6V filament<sup>④</sup>  
5 = 12V filament<sup>④</sup>

**Base and Bezel Color**  
1 = Black  
2 = White  
3 = Red

**Terminal Type**  
E = 6.3 mm tabs/0.25 in quick connect  
B = Solder lugs

**Legend Type (Optional)**  
725 = ON/OFF  
See Most Popular Legends table on Page V11-T2-55.

#### Notes

- ① 1500 Type—Lever depressed toward terminal #3. 2500 Type—Lever depressed toward terminals #13 and #26.
- ② #1500—#1507 switches are supplied in 1500 type base. #2500—#2507 switches are supplied in 2500 type base.
- ③ See Circuit Diagrams on Page V11-T2-80.
- ④ 6V, 12V filament lamps are not UL, CSA, or ENEC.



### Hi-Lite Rocker with High Inrush

To determine complete catalog number, start with the appropriate base circuit type and add the appropriate code letters and/or numbers.

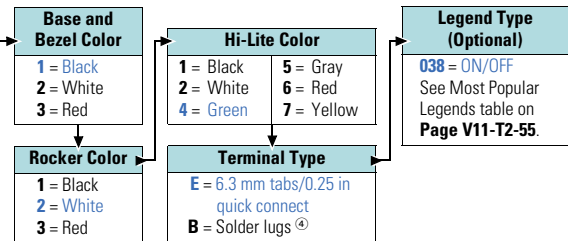
### Catalog Number Selection

#### How To Order—Hi-Lite Rocker with High Inrush Option

Example: **1500H** → **1 2 4 E 038**

Rating	Poles and Throw	Circuit with Rocker in ...			Base Circuit Number	Circuit Number
		UP Pos.	CENTER Position	DOWN Position ①		
<b>UL/CSA:</b> 15A 125 Vac, 10A 250 Vac, 10A 28 Vdc, 8A 14VT; <b>ENEC:</b> 10(4)A 250V	1PST	ON MOM. ON	NONE	OFF	1500 _	1
	1PST	ON	NONE	OFF	1501 _	3
<b>UL/CSA:</b> 22A 125 Vac, 16A 250 Vac, 6A 125 VacL, 10A 14VT, 1 hp 125-250Vac; <b>ENEC:</b> 16(4)A 250V	1PST	ON	NONE	OFF	1500H ②	1
	2PST	ON	NONE	OFF	2500H	10

Code letters and/or numbers. Add to Base Circuit Number.

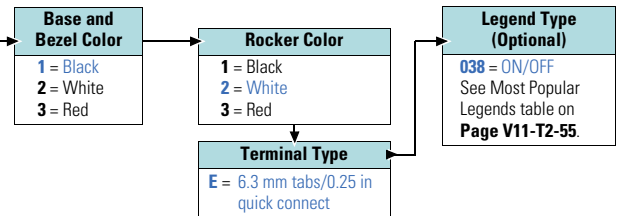


#### How To Order—High Inrush, Non-Illuminated

Example: **1500H** → **1 2 E 038**

Rating	Poles and Throw	Circuit with Rocker in ...			Base Circuit Number	Circuit Number
		UP Pos.	CENTER Position	DOWN Position ①		
<b>UL/CSA:</b> 22A 125 Vac, 16A 250 Vac, 6A 125 VacL, 10A 14VT, 1 hp 125-250 Vac; <b>ENEC:</b> 16(4)A 250V	1PST	ON	NONE	OFF	1500H	1
	2PST	ON	NONE	OFF	2500H	10

Code letters and/or numbers. Add to Base Circuit Number.

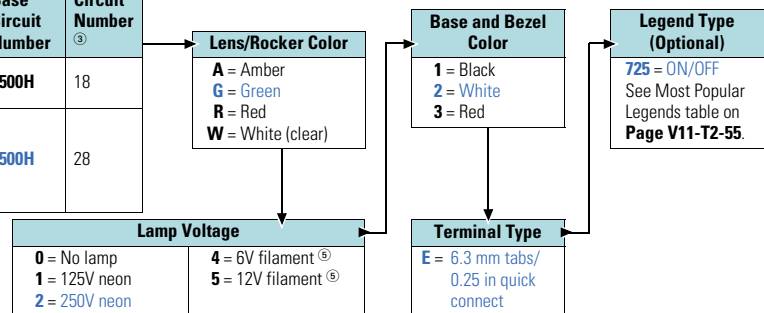


#### How To Order—High Inrush Illuminated

Example: **2500H** → **G 2 2 E 725**

Rating	Poles and Throw	Circuit with Rocker in ...			Base Circuit Number	Circuit Number
		UP Pos.	CENTER Position	DOWN Position ①		
<b>UL/CSA:</b> 22A 125 Vac, 16A 250 Vac, 6A 125 VacL, 10A 14VT, 1 hp 125-250 Vac; <b>ENEC:</b> 16(4)A 250V	1PST	ON	NONE	OFF	1500H	18
	2PST	ON	NONE	OFF	2500H	28

Code letters and/or numbers. Add to Base Circuit Number.



#### Notes

- ① 1500 Type—Lever depressed toward terminal #2. 1500H Type—Lever depressed toward terminal #3. 2500H Type—Lever depressed toward terminals #13 and #26.
- ② High inrush capabilities available only on basic catalog numbers beginning with 1500H.
- ③ See Circuit Diagrams on Page V11-T2-80.
- ④ Standard rating only.
- ⑤ 6V, 12V filament lamps are not UL, CSA, or ENEC.

### Technical Data and Specifications

2

#### 1500/2500—Midsize AC Rated

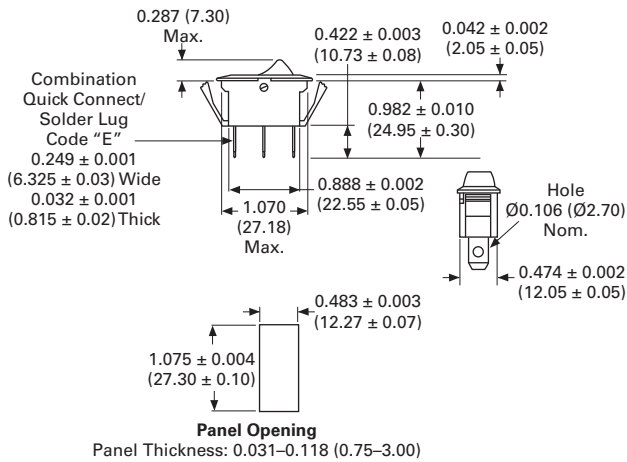
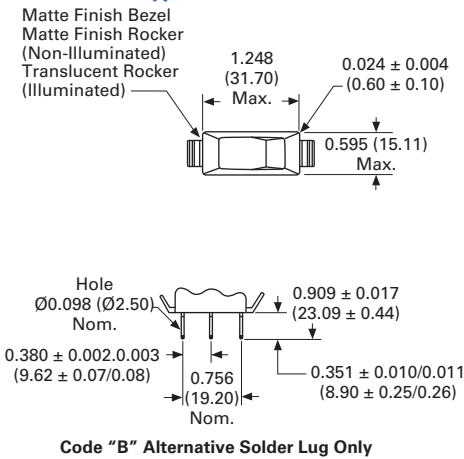
Description	Specification
Ratings	See selection tables on <b>Pages V11-T2-46 and V11-T2-47.</b>
Seal level	IP40
Circuits	
Standard	1PST, 1PDT, 2PST, 2PDT, maintained and momentary
High inrush option	1PST, 2PST, maintained
Hi-lite option	1PST, maintained
Contact mechanism	
Standard	Slow-make/slow-break butt contact
High inrush option	Slow-make/slow-break butt contact with mechanical break
Make—High inrush option	100A peak inrush at 250 Vac for 10 ms for 10,000 cycles minimum
Break—High inrush option	16A, 250 Vac for 10,000 cycles minimum
Contact material	Silver inlay over copper
Contact resistance	10M ohms max. at 1A, 4 Vdc

Description	Specification
Mechanical life	50,000 cycles minimum
Insulation resistance	50M ohms minimum
Dielectric withstand	1000V rms minimum
Terminal types	
Standard	6.3 mm Tabs/0.250 in Quick Connect
Optional	Solder lug
Termination material	
Common (center)	Copper fine silver-plated
End	Copper
Lamp	Brass
Mounting	See dimensions below
Operating temperature range	32° to 185°F (0° to 85°C)

### Dimensions

Approximate Dimensions in Inches (mm)

#### 1500/1500H Type Base



#### 2500/2500H Type Base

