

# Signal Light INSTALLATION MANUAL

TYPE : NE-M1-CL7

Thank you for purchasing our PATLITE product for your application. Please read these instructions carefully before performing installation, maintenance and repair. Store this manual carefully for future reference. If there are any questions regarding this product, please contact your PATLITE Sales Representative.

## NOTES TO BE OBSERVED FOR SAFE OPERATION

In order to prevent any damage to the user and other personnel or to assets, note the following:

■ The indications for warning are divided into the following classes according to the degree of danger or damage incurred when the warning is not taken into consideration and the product is not correctly used.

- Warning** Indicates an imminently dangerous condition: Failure to follow the instructions may lead to death or serious injury.
- Caution** Indicates a potentially dangerous condition: Failure to follow the instructions may lead to slight injury or property damage.

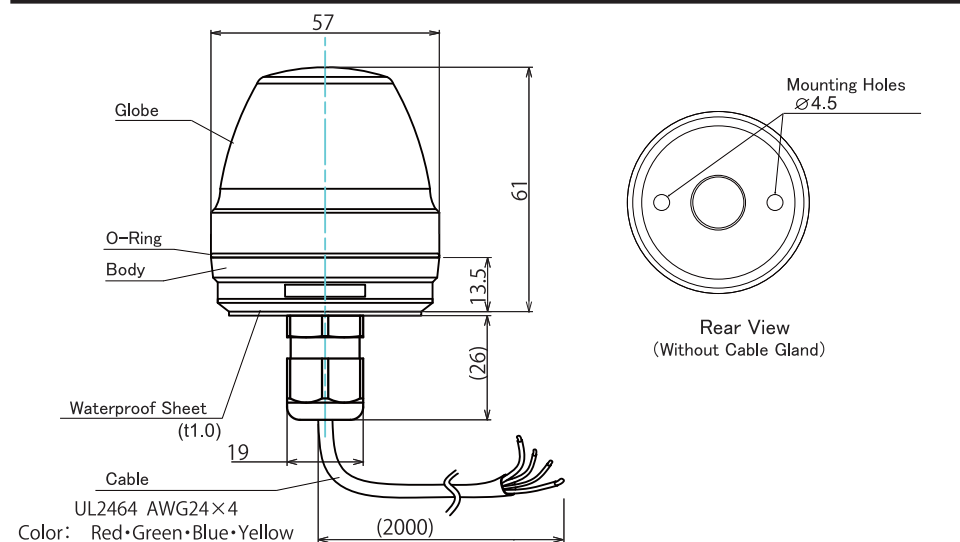
### 1. To operate this product safely, please observe the following

- Warning**
  - Make sure the power is off before wiring, repairing, or replacing parts to avoid a short-circuit, electric shock, or burn.
  - Do not use this product with the globe damaged or removed in order to avoid an electric shock.
  - If installing this product requires construction work, please ask a specialist in order to avoid electric shock, fire, or personal injury.
  - When this product is used for security purposes, it should be inspected daily. In case a malfunction should occur, it is recommended that you use this product together with other security products.
  - Do not use this product to support your weight while climbing onto a machine. Mount the product so that it is clear of any moving parts - such as a machine cover.
- Caution**
  - For safety, make sure to connect an external fuse to the power source as shown in the wiring example.
  - Do not disassemble or detach during operation.

### 2. Model Number Configuration

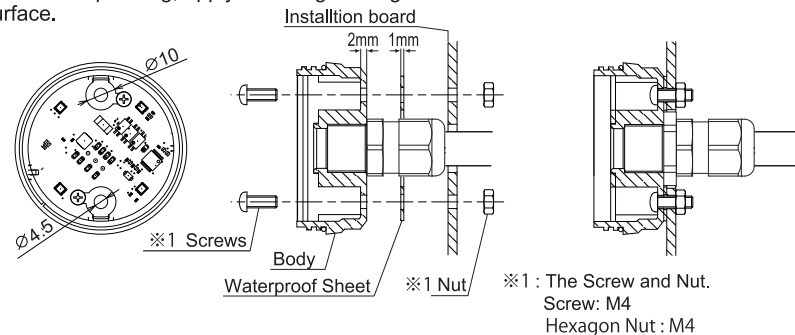
**NE - M1 - CL7**  
 ■ Voltage 10 ~ 30V DC  
 ■ Number of LED Colors CL7: 7 Colors

### 3. Part Names and Dimensions

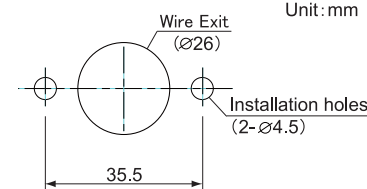


### 4. Installation

- Installation
  - (1) Remove the globe by turning it to the left (counter-clockwise).
  - (2) Punch the indentations in the body to make two mounting holes.
  - (3) Place the waterproof sheet onto body, by peeling-off the release paper from the waterproof sheet.
  - (4) Affix it to the installation surface with screws and nuts. (Please use the Screws and Nuts provided.)
  - (5) Re-attach the globe turning it to the right (clockwise).
- Please select an installation location with enough strength and low vibration.
- When waterproofing, apply a sealing coating onto the nuts on the backside of the installation surface.



#### Installation Dimension



#### Caution

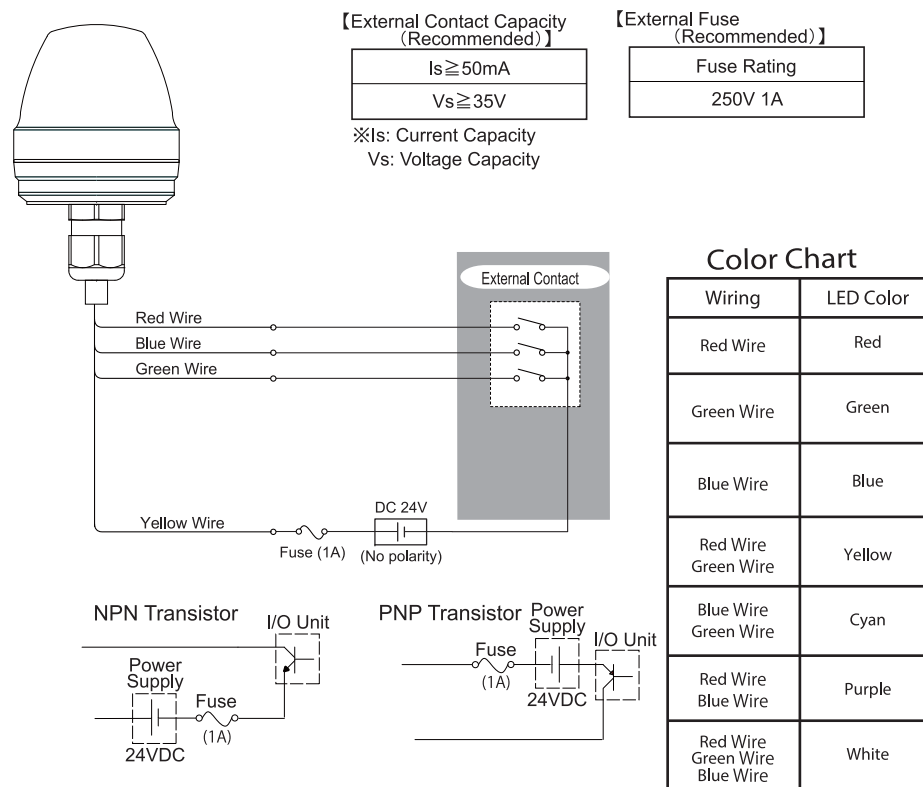
- This product is for indoor use only on a flat surface. (Not for outdoor use.)
- Do not use this product with the globe removed.
- Use a soft, moist cloth to wipe the globe or body with. (Do not use thinner, benzine, gasoline or oil.)
- The waterproof sheet must be used when installing.
- When the installed surface is not flat enough and water intrusion cannot be avoided, please provide a sealed coating between the surface and the product around the wire exit hole.
- For use on a flat surface with a Type 1 enclosure when device is installed as intended.

### 5. Wiring Procedure

#### Caution

- Make sure the power is OFF before wiring. A short circuit may damage internal circuits or cause an electric shock.
- Verify the proper operating voltage of the product.
- Do not pull out the wire or push it into the body.
- Pay attention to proper wiring because any mistake in circuit wiring may cause damage.
- Install an external fuse on the power supply side, as shown in the wiring example in order to prevent internal circuit damage in case of a wiring error.
- Do not touch the LED when wiring.

#### Wiring Example



#### Color Chart

Wiring	LED Color
Red Wire	Red
Green Wire	Green
Blue Wire	Blue
Red Wire Green Wire	Yellow
Blue Wire Green Wire	Cyan
Red Wire Blue Wire	Purple
Red Wire Green Wire Blue Wire	White

### 6. Specifications

Model	NE-M1-CL7				
Operation Voltage Range	10 ~ 30V DC (Non-polar)				
Maximum Current Consumption	Red	Yellow	Green	Blue	Cyan
	50mA	53mA	44mA	48mA	53mA
	Purple	White			
Material	Globe	PC			
	Body	ABS			
	O-ring	Silicon rubber			
Mounting Direction	All Directions				
Operating Temperature Range (Relative Humidity)	-20°C ~ +50°C (Less than 90%RH)				
Vibration Resistance	19.6 m/s <sup>2</sup>				
Mass	150g				

- Complies with the RoHS directive. (DIRECTIVE 2002/95/EC)
- Maximum ambient temperature rating of 50°C.

#### Caution

- PATLITE Corporation disclaims all liability for any malfunction or damage occurring as a result of handling, contrary to the instructions, cautions and warnings mentioned in this manual.
- Specifications may change without notice due to continual product improvement.

世界中に「安心・安全・美観」をお届けする  
**株式会社 パトライト** J1B  
 本社/〒541-0053 大阪市中央区本町4-4-25  
 ※記載内容は、変更されることがあります。あらかじめご了承ください。  
<http://www.patlite.co.jp>  
 受付時間 9:00~17:00 (土日/祭日と夏期/年末年始の休日は、  
 留守番電話でお受けいたします。 ※ご注文・価格・商品内容等は、各営業所拠点または代理店にお問い合わせください。

**PATLITE Corporation** G2E  
 International Division  
 4-4-25, Hommachi, Chuo-ku, Osaka-shi, Osaka 541-0053 Japan TEL. +81-6-7711-8953  
**PATLITE (U.S.A.) Corporation** ■ <http://www.patlite.com/>  
**PATLITE Europe GmbH** ■ <http://www.patlite.eu/> ※Germany  
**PATLITE (SINGAPORE) PTE LTD** ■ <http://www.patlite.com/>  
**PATLITE (CHINA) Corporation** ■ <http://www.patlite.cn/>  
**PATLITE KOREA CO., LTD.** ■ <http://www.patlite.co.kr/>  
**PATLITE TAIWAN CO., LTD.** ■ <http://www.patlite.tw/>  
<http://www.patlite.com/>