

SPECIFICATIONS

[General Specifications]

Model	NE-M1-CL7+B0953	
UL Registered Model	NE-M1	
Operating Voltage Range	10V ~30V DC	
Signal Wire Current	Typ.	Red: 50mA Yellow: 53m A Green: 44mA
		Blue: 48mA White: 53m A
		Purple: 56mA Cyan: 53mA
Operating Ambient Temperature	- 20 °C to + 50°C	
Operating Ambient Humidity	Less than 90% (No condensation)	
Storage Ambient Temperature	- 30°C to + 60°C	
Storage Ambient Humidity	Less than 90% (No condensation)	
Mounting Location	Indoors	
Mounting Direction	All Directions	
Protection Rating	IP66 / 67 (IEC 60529)	
Environmental Condition	All Directions	
Vibration Resistance	19.6m/s ² (IEC 60068-2-6)	
Insulation Resistance	More than 1MΩ at 500VDC between the terminals and the chassis	
Withstand Voltage	VAC applied for 1min between terminals and chassis without breaking insulation	
Outer Dimensions	Refer to the Outer Dimension Drawing	
Remarks	Conforms to the CE requirements There are no contents of controlled substances exceeding the threshold for the RoHS Directive. UL Recognized Component (File No.E215660)	
No. NE -M1 -CL7 -A18B -1_2		

PATLITE Corporation

1

2

3

4

5

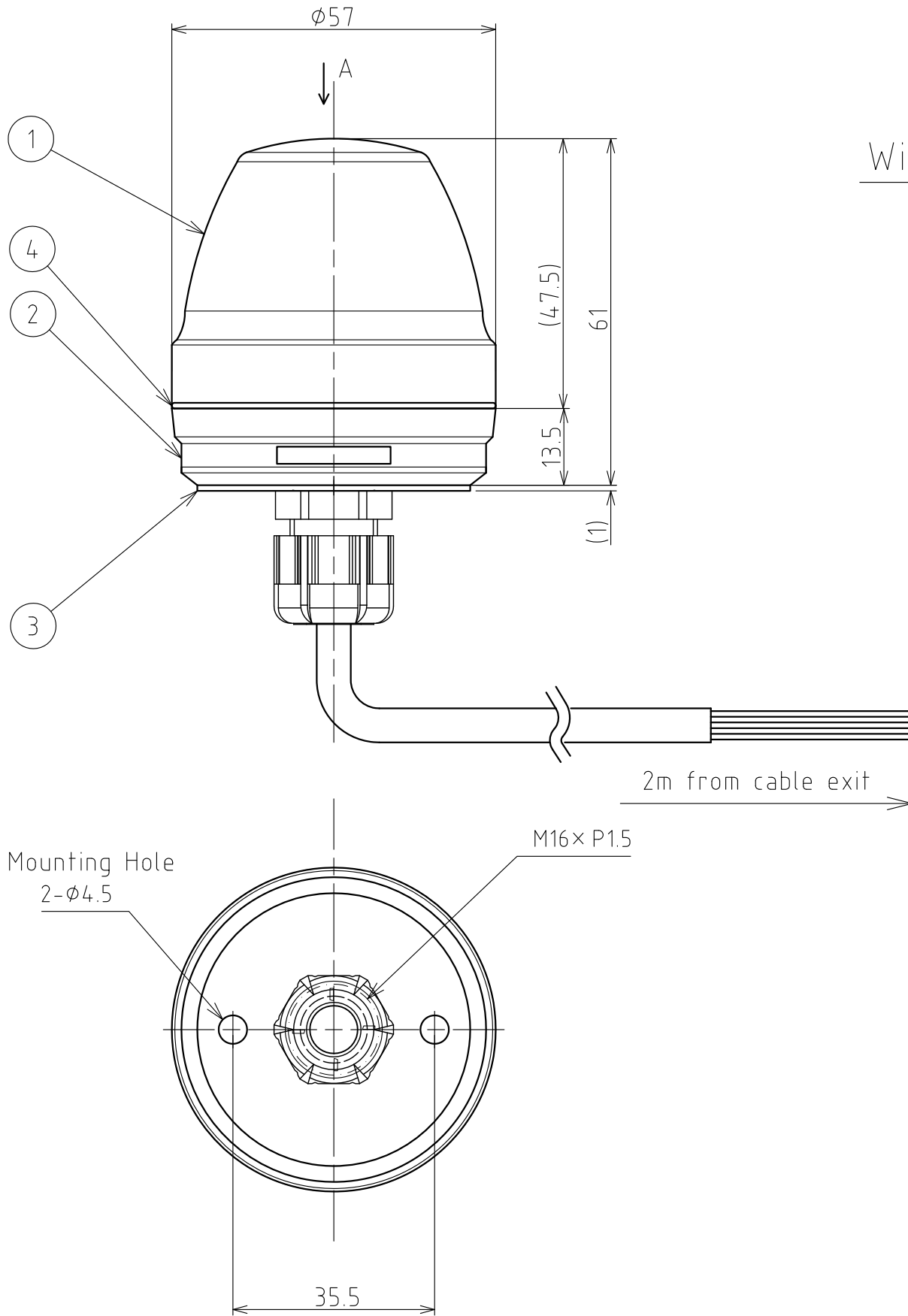
6

7

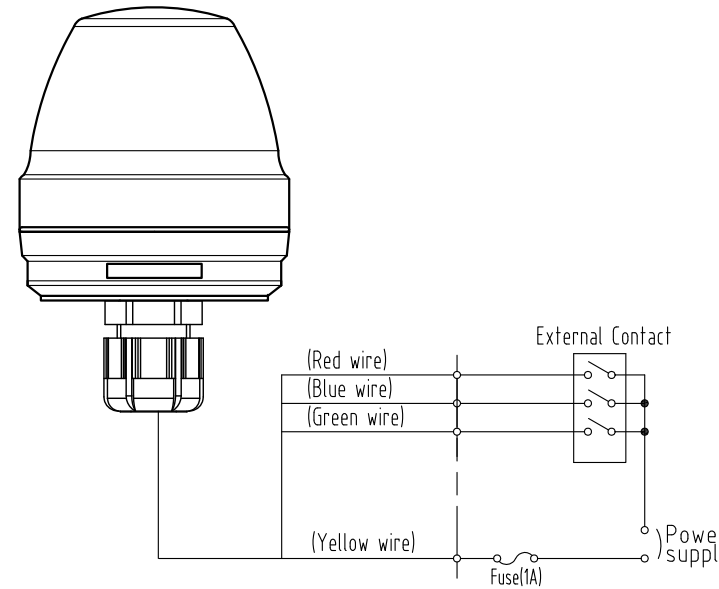
8

指定 公差 General tolerance	角度公差 ±[°]	寸法公差 ±[mm]					符号 Sym.	年月日 Date	訂正履歴 Revisions	記印 Sgn.	検印 Chk.	承認 App.
	短辺長 Length of short side	~10	~50	~100	~100	~6	~30	~120	~300	~1000	△-	
	精 f	1	0.5	0.3	0.1	精 f	0.05	0.1	0.2	0.4	0.6	△-
	粗 v	3	1.5	1	0.5	中 m	0.1	0.3	0.5	0.7	1	△-
					粗 c	0.3	0.5	1	1.2	2	△-	

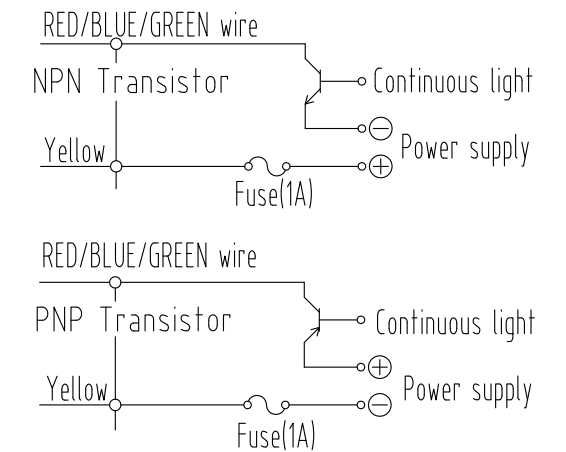
質量 Mass
g



Wiring example



Transistor drive



Color Chart

Wiring	LED Color
RED	Red
GREEN	Green
BLUE	Blue
Red + Green	Yellow
Blue + Green	Cyan
Red + Blue	Purple
Red+Green+Blue	White

4	O-ring	-	1	Silicon	Gray
3	Waterproof sheet	-	1	NBR, t=1.0, 60°	Black
2	Body	-	1	ABS	Light gray
1	Lens	-	1	AS	Milky White
番号 No.	部品名 Part Name	品目コード Part No.	数量 Qty.	材料 & 寸法 & 処理 Material & Size & Finish	記事 Remarks

Name	Model NE-M1-CL7+B0953
Specifications	Part No.

3rd Angle	Unit mm	Scale	PATLITE Corporation	Drawing No. NE-M1-CL7-A18B-2/2
-----------	------------	-------	---------------------	-----------------------------------

1

2

3

4

5

6

7

8