

US-159

Isolated High Retention USB 1 Port RS232

- 1 Port Isolated RS-232 USB to Serial Adapter
- Isolation: Avoid electrical damage to your expensive equipment
- High Retention USB connector with 50cm USB cable
- Works where many other USB to Serial devices do not
- Industrial Specification IP-50 rated -40 °C to +80 °C / -40 °F to +176 °F
- Lifetime Warranty and Support



Ultra small USB to serial adapter suitable for any environment

The US-159 has 2kV of isolation, protecting from high voltage spikes and ground potential difference. We provide our own software drivers - eliminating many common problems with USB to Serial - giving you a reliable, stable, native com port solution.

2kV Isolation

ESD protection to IEC 61000-4-2:

Contact discharge: ± 8 kV

Air gap discharge: ± 15 kV



"I have tried many off the shelf USB to Serial adapters. Some break easily, others only work some of the time. Brainboxes installed in seconds and could communicate with anything I threw at it, I would recommend this device to anyone."

Colin Young, Nutek Europe



Drivers for all popular operating systems including latest Windows

The high retention USB connection requires a minimum withdrawal requirement of 15N (thats a force of 1.5Kg or 3.4lbs). Connectors have orange color-coded insulator to differentiate from standard USB connectors. The connection is so strong that the port is capable of taking the weight of a bottle of champagne.



Housing and connectors

- IP-50 rated non-conducting polyamide case
- DB9 Connector - 9 Pin Male
- High Retention USB Connector
- Wall mounting screw recess

Environmental

Operating Temperature -40 °C to +80 °C / -40 °F to +176 °F

Power Supply

Power Consumption 100mA @ 5V
Power Supply input +5V through USB cable (supplied)



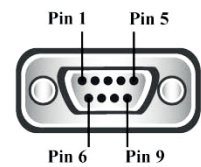
Port Settings - RS232

Baud Rate	From 0 up to 460 kBaud - Any custom Baud rate accepted
Data Bits	5,6,7 or 8
Parity	Odd, Even, None, Mark or Space
Stop Bits	1 or 2
Flow Control	RTS/CTS, XON/XOFF
Tx/Rx Modes	Point to Point

RS232

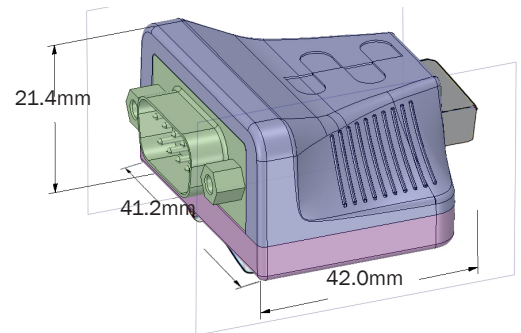
Pin 1	
Pin 2	RXD
Pin 3	TXD
Pin 4	
Pin 5	GND
Pin 6	
Pin 7	RTS
Pin 8	CTS
Pin 9	

RS232 Pinout (9 Pin Male)



IP-50 rated non-conducting case

Wall mounting option



Lifetime Warranty and Support:

We can help with every aspect of your project, from getting you up and running to custom application.



Optional: US-063 USB Type A Plug to Type B Plug 1000mm



1m cable available: US-063

Brainboxes have additional and alternative length cables available that are compatible with this product

Packaging Information

Packaging	Installation CD including manual, Microsoft signed drivers & utilities, Quick Start Guide
Packaged Weight	0.155 kg, 5.47 ounces
Packaged Dims	160x135x45 mm, 6.3x5.3x1.8 inches
GTIN Universal Code	837324003802



Drivers for Windows 10

This product has software that works with Windows 10.

Drivers are available for previous versions of Windows Operating systems, including legacy applications.



Support Service

Should you have any questions about your Brainboxes product please contact our technical support:

Phone UK: +44 (0)151 220 2500
Toll Free USA: +1 (855) 958 2502

Email: support@brainboxes.com

www.brainboxes.com



Accreditations

All Brainboxes products come with the following as standard:



Certificates of all accreditations and conformities are available on request from quality@brainboxes.com