

**PLEASE CHECK WWW.MOLEX.COM FOR LATEST PART INFORMATION**

**Part Number:** **5025790100**  
**Status:** **Active**  
**Overview:** CLIK-Mate™ Wire-to-Board Connectors  
**Description:** CLIK-Mate™ 1.50mm Pitch Wire-to-Board Crimp Terminal, Tin Plating, 24-28 AWG, Bag

**Documents:**

<a href="#">Drawing (PDF)</a>	<a href="#">Application Specification 5031490000 (PDF)</a>
<a href="#">Product Specification 5025840000 (PDF)</a>	<a href="#">Application Specification AS-502578-001 (PDF)</a>
<a href="#">Product Specification 5031480000 (PDF)</a>	<a href="#">Application Specification AS-502578-002 (PDF)</a>
<a href="#">Product Specification 5031540000 (PDF)</a>	<a href="#">Application Specification AS-503149-001 (PDF)</a>
<a href="#">Product Specification 5031540000RPS (PDF)</a>	<a href="#">Application Specification AS-503395-001 (PDF)</a>
<a href="#">Product Specification PS-502584-001 (PDF)</a>	<a href="#">Packaging Specification SPK-502579-001 (PDF)</a>
<a href="#">Product Specification PS-503159-001 (PDF)</a>	<a href="#">RoHS Certificate of Compliance (PDF)</a>
<a href="#">Product Specification PS-503395-001 (PDF)</a>	

**General**

Product Family	Crimp Terminals
Series	502579
Application	Signal
Crimp Quality Equipment	Yes
Overview	<u>CLIK-Mate™ Wire-to-Board Connectors</u>
Product Name	CLIK-Mate™
UPC	800756642864

**Physical**

Durability (mating cycles max)	30
Gender	Plug
Material - Metal	Copper Alloy
Material - Plating Mating	Tin
Material - Plating Termination	Tin
Net Weight	22.500/mg
Packaging Type	Bag
Plating min - Mating	0.406µm
Plating min - Termination	0.406µm
Termination Interface: Style	Crimp or Compression
Wire Insulation Diameter	0.78-1.28mm
Wire Size AWG	24, 26, 28
Wire Size mm²	0.08-0.20

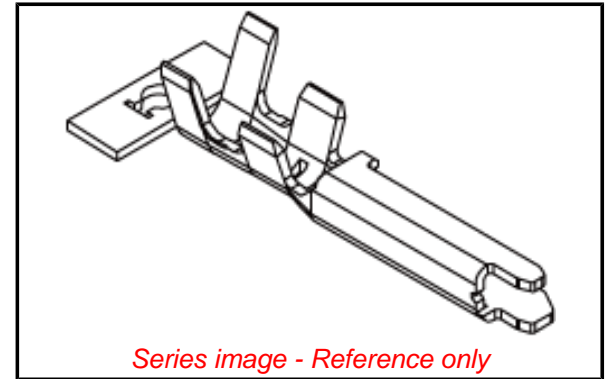
**Electrical**

Current - Maximum per Contact	2.0A
Voltage - Maximum	100V AC (RMS)/DC

**Material Info**

**Reference - Drawing Numbers**

Application Specification	5031490000, AS-502578-001, AS-502578-002, AS-503149-001, AS-503395-001
Crimp Specification	CS-502579-001
Packaging Specification	SPK-502579-001
Product Specification	5025840000, 5031480000, 5031540000, 5031540000RPS, PS-502584-001, PS-503159-001, PS-503395-001, RPS-502578-001, RPS-502584-002, RPS-502584-003, RPS-502584-004, RPS-502584-005, RPS-502584-006, RPS-502584-008, RPS-502584-009, RPS-502584-010, RPS-502584-011, RPS-502584-012, RPS-502584-013, RPS-502584-014, RPS-502584-018,



*Series image - Reference only*

**EU ELV**

**Not Relevant**

**EU RoHS**

**Compliant**

**REACH SVHC**

Not Contained Per  
-ED/79/2015 (17  
December 2015)

**Halogen-Free**

**Status**

**Low-Halogen**

**Need more information on product environmental compliance?**

Email [productcompliance@molex.com](mailto:productcompliance@molex.com)  
Please visit the [Contact Us](#) section for any non-product compliance questions.

China ROHS  
ELV

Green Image  
Not Relevant

**Search Parts in this Series**

[502579 Series](#)

**Use With**

[502578 CLIK-Mate™ Housing](#)

**Application Tooling | FAQ**

*Tooling specifications and manuals are found by selecting the products below. Crimp Height Specifications are then contained in the Application Tooling Specification document.*

**Global**

Description	Product #
Hand Crimp Tool for Wire-to-Board Terminal, 24-28 AWG Wire	<a href="#">0638194600</a>
Extractor Tool for 1.50mm Pitch Wire-	<a href="#">0638133700</a>

Sales Drawing

RPS-502585-002, RPS-502585-003, RPS-502585-004,  
RPS-503148-002, RPS-503148-005, RPS-503154-009,  
RPS-503154-010, RPS-503154-011, RPS-503159-001,  
RPS-503159-003, RPS-503159-004, RPS-503159-005,  
RPS-503175-001, RPS-503175-002, RPS-503175-003,  
RPS-503339-001, RPS-503339-002, RPS-503395-002  
SD-502579-001, SD-502579-002

to-Board Crimp  
Terminal

This document was generated on 02/03/2016

**PLEASE CHECK [WWW.MOLEX.COM](http://WWW.MOLEX.COM) FOR LATEST PART INFORMATION**