

PLEASE CHECK WWW.MOLEX.COM FOR LATEST PART INFORMATION

Part Number: [0019091029](#)
Status: **Active**
Overview: Standard .093" Pin and Socket Connectors
Description: 2.36mm Diameter Standard .093" Pin and Socket Receptacle Housing with Positive Latch, UL 94V-2, 2 Circuits

Documents:

[3D Model](#) [Product Specification PS-02-09 \(PDF\)](#)
[Drawing \(PDF\)](#) [RoHS Certificate of Compliance \(PDF\)](#)

Agency Certification

CSA LR19980
 UL E29179

General

Product Family Crimp Housings
 Series [3191](#)
 Application Power, Wire-to-Board, Wire-to-Wire
 Comments Polarized to Mating Part, without Mounting Ears
 Overview [Standard .093" Pin and Socket Connectors](#)
 Product Name Standard .093"
 UPC 800753594463

Physical

Breakaway No
 Circuits (maximum) 2
 Color - Resin Natural
 Flammability 94V-2
 Gender Receptacle
 Glow-Wire Compliant No
 Keying to Mating Part None
 Lock to Mating Part Yes
 Material - Resin Nylon
 Net Weight 2.117/g
 Number of Rows 1
 Packaging Type Bag
 Panel Mount No
 Pitch - Mating Interface 6.70mm
 Polarized to Mating Part Yes
 Stackable No
 Temperature Range - Operating -40°C to +105°C

Electrical

Current - Maximum per Contact 12.0A

Solder Process Data

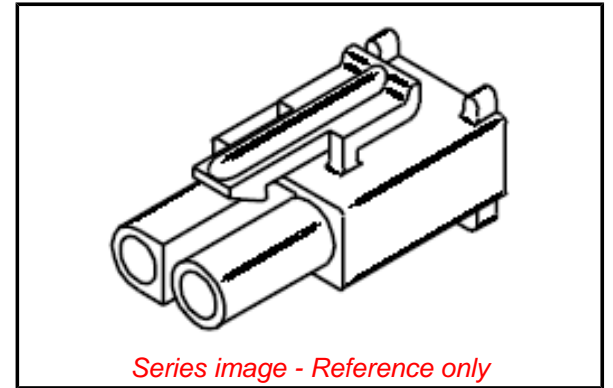
Lead-free Process Capability N/A

Material Info

Old Part Number 3191-2R1

Reference - Drawing Numbers

Product Specification PS-02-09
 Sales Drawing SD-3191-2*



Series image - Reference only

EU ELV

Not Relevant

EU RoHS

Compliant

REACH SVHC

Not Contained Per -
 ED/39/2015 (15 June
 2015)

Halogen-Free

Status

Low-Halogen

**Need more information on product
 environmental compliance?**

Email productcompliance@molex.com
 Please visit the [Contact Us](#) section for any
 non-product compliance questions.

China ROHS

ELV

Green Image

Not Relevant

Search Parts in this Series

[3191 Series](#)

Mates With

[19-09-2026](#) , [19-09-2027](#) , [19-09-2028](#) ,
[19-09-2029](#) , [521 9](#)

Use With

[1189](#) Crimp Terminals, [1190](#) Crimp
 Terminals, [1380](#) Male Crimp Terminals,
[1381](#) Female Crimp Terminals, [1433](#) Crimp
 Terminals, [1434](#) Male Crimp Terminals,
[2605](#) , [2606](#) , [1973](#) , [2151](#) , [2273](#) , [2870](#) , Li
 nk:[2871](#), [4272](#)

PLEASE CHECK WWW.MOLEX.COM FOR LATEST PART INFORMATION