

PLEASE CHECK WWW.MOLEX.COM FOR LATEST PART INFORMATION

Part Number: **0190020004**
Status: **Active**
Overview: Standard Quick-Disconnect Terminals
Description: Avikrimp™ Fully Insulated Quick Disconnect, Female, for 18-22 AWG Wire, Metal Strip

Documents:

[3D Model](#) [Product Specification PS-19902-014 \(PDF\)](#)
[Drawing \(PDF\)](#) [RoHS Certificate of Compliance \(PDF\)](#)
[Product Specification PS-19902-011 \(PDF\)](#)

Agency Certification

CSA LR18689
 UL E79133

General

Product Family Quick Disconnects
 Series 19002
 Crimp Quality Equipment Yes
 Insulated Fully
 Overview Standard Quick-Disconnect Terminals
 Product Name Avikrimp™
 Type Quick Disconnect
 UPC 800753026957

Physical

Barrel Type Closed
 Color - Resin Red
 Flammability 94V-2
 Gender Female
 Glow-Wire Compliant Yes
 Insulation Nylon (PA)
 Lock to Mating Part None
 Material - Metal Brass
 Material - Plating Mating Tin
 Material - Plating Termination Tin
 Net Weight 1.039/g
 Orientation Straight
 Packaging Type Reel
 Polarized to Mating Part No
 Tab Thickness 0.81mm
 Tab Width 6.35mm
 Temperature Range - Operating -65°C to +105°C
 Wire Insulation Diameter 3.17mm max.
 Wire Size AWG 18, 20, 22

Electrical

Voltage - Maximum 300V

Solder Process Data

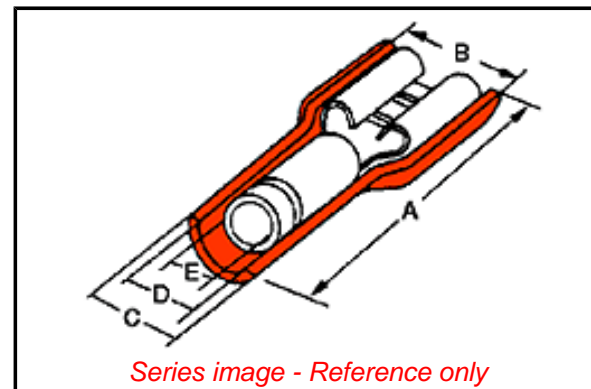
Lead-free Process Capability N/A

Material Info

Old Part Number AA-5261Z

Reference - Drawing Numbers

Product Specification PS-19902-011, PS-19902-014
 Sales Drawing SD-19002-003



EU ELV

Not Relevant

EU RoHS

Compliant

REACH SVHC

Contains SVHC(2014 December 17): No

Halogen-Free

Status

Low-Halogen

Need more information on product environmental compliance?

Email productcompliance@molex.com
 Please visit the [Contact Us](#) section for any non-product compliance questions.

China ROHS

ELV

Green Image

Not Relevant

Search Parts in this Series

19002 Series

Use With

19001-0001 , 19001-0002

Application Tooling | FAQ

Tooling specifications and manuals are found by selecting the products below. Crimp Height Specifications are then contained in the Application Tooling Specification document.

Global

Description

Product #

ASP Tool Kit, Crimp 0192870022
 Dies for the ASP-202
 Air Crimping Press
 for Metal Strip
 Terminals
 Mini-Mac™ 0638812000
 Applicator

This document was generated on 01/29/2016

PLEASE CHECK WWW.MOLEX.COM FOR LATEST PART INFORMATION