

**PLEASE CHECK WWW.MOLEX.COM FOR LATEST PART INFORMATION**

**Part Number:** [0874390500](#)  
**Status:** **Active**  
**Overview:** Pico-SPOX™ Wire-to-Board Connector System  
**Description:** 1.50mm Pitch Pico-SPOX™ Wire-to-Board Housing, 5 Circuits, Off-White Housing

**Documents:**

<a href="#">3D Model</a>	<a href="#">Packaging Specification SPK-87439-001 (PDF)</a>
<a href="#">Drawing (PDF)</a>	<a href="#">RoHS Certificate of Compliance (PDF)</a>
<a href="#">Product Specification PS-87437-001 (PDF)</a>	<a href="#">Product Literature (PDF)</a>

**Agency Certification**

CSA	LR19980
UL	E29179

**General**

Product Family	Crimp Housings
Series	87439
Application	Signal, Wire-to-Board
Overview	<a href="#">Pico-SPOX™ Wire-to-Board Connector System</a>
Product Literature Order No	USA-235
Product Name	Pico-SPOX™
UPC	800753537231

**Physical**

Circuits (maximum)	5
Color - Resin	Natural
Flammability	94V-0
Gender	Female
Glow-Wire Compliant	No
Lock to Mating Part	Yes
Material - Resin	Nylon
Net Weight	68.000/mg
Number of Rows	1
Packaging Type	Bag
Panel Mount	No
Pitch - Mating Interface	1.50mm
Polarized to Mating Part	Yes
Stackable	No
Temperature Range - Operating	-55°C to +105°C

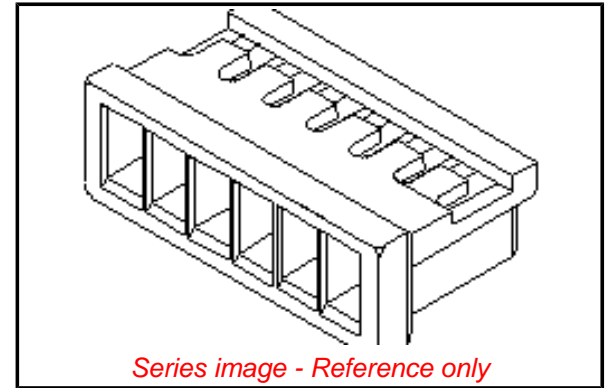
**Electrical**

Current - Maximum per Contact	2.5A
-------------------------------	------

**Material Info**

**Reference - Drawing Numbers**

Packaging Specification	SPK-87439-001
Product Specification	PS-87437-001, RPS-78048-002, RPS-87437, RPS-87437-001, RPS-87437-200
Sales Drawing	SD-87439-**00



**EU ELV**

**Not Relevant**

**EU RoHS**

**Compliant**

**REACH SVHC**

Not Contained Per - ED/39/2015 (15 June 2015)

**Halogen-Free**

**Status**

**Low-Halogen**

**Need more information on product environmental compliance?**

Email [productcompliance@molex.com](mailto:productcompliance@molex.com)  
Please visit the [Contact Us](#) section for any non-product compliance questions.

China ROHS

ELV

Green Image

Not Relevant

**Search Parts in this Series**

[87439](#) Series

**Mates With**

Pico-SPOX™ Wire-to-Board Header [87437](#) , [87438](#)

**Use With**

[87421](#) Pico-SPOX™ Crimp Terminal