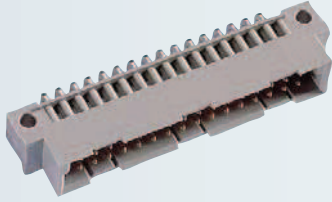


# DIN 41612



## Type B/2 Male Connector



**Type:** Male connector 90° with 2 rows

**Termination:** Press-fit, solder, THTR

**Number of contacts:** 16, 32

**Pitch:** 2.54 mm

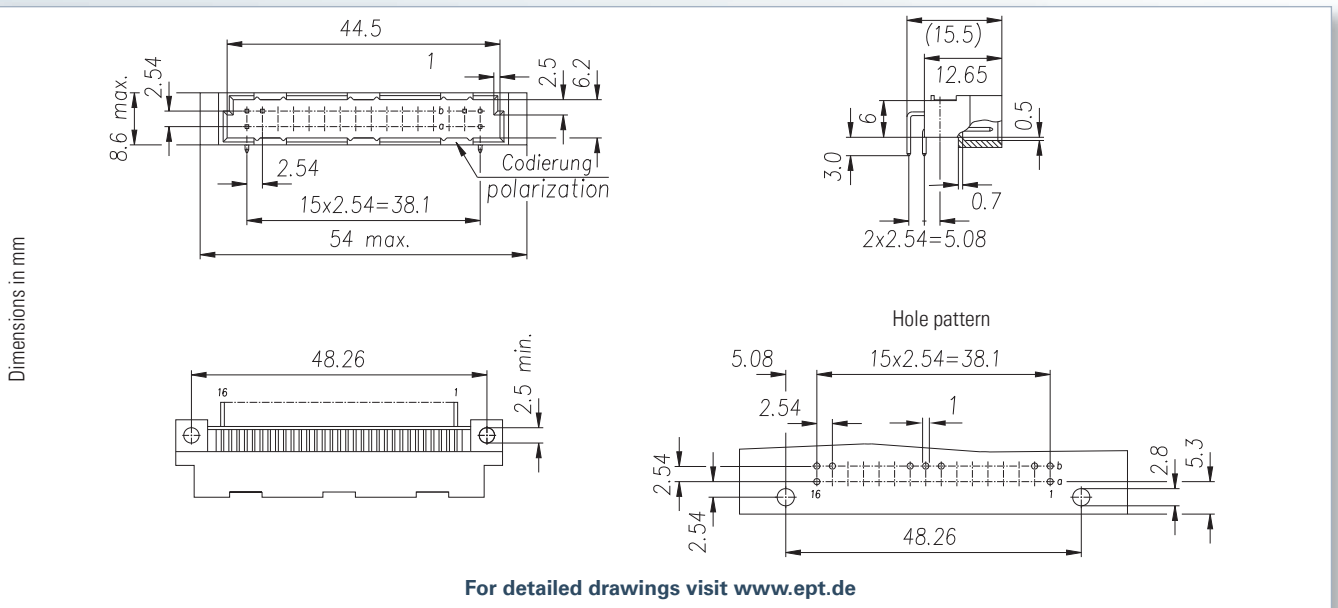
**Operational current:** 1.5 A

**Packaging:** Tray

**Standard:** IEC 60603-2



Technical Specifications on page 36



### Accessories

- Processing tools p. 298
- Coding p. 132

### Mating connector / Application:



Type B/2 Female connector (p. 46)