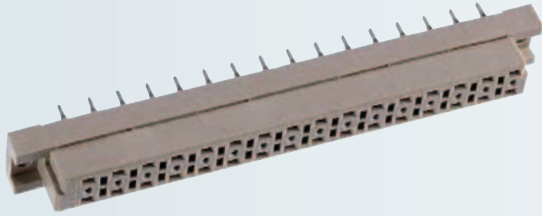


DIN 41612



Type D Female Connector



Type: Female connector straight with 2 rows

Termination: Press-fit, solder

Number of contacts: 32

Pitch: 5.08 mm

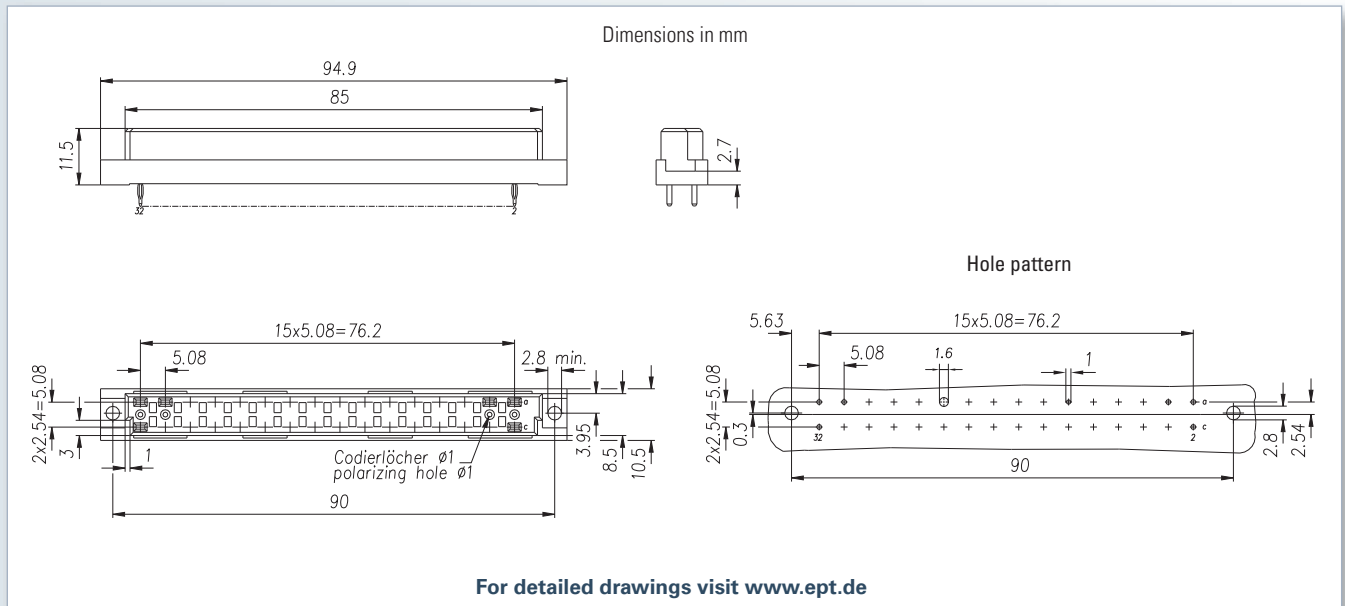
Operational current: 5.6 A

Packaging: Tube

Standard: IEC 60603-2



Technical Specifications on page 36



Accessories

- Processing tools p. 300
- Coding p. 132

Mating connector / Application:

 Type D Male connector (p. 86)



Press-fit - Performance level II • • •

| No. of contacts | Contact arrangement | Termination length L | | |
|-----------------|---------------------|-----------------------------------|-----------------------------------|-----------------------------------|
| | | 4.6 mm | 6.0 mm | 20 mm |
| 32 | | Part number | | |
| | | 106-60084 hole diameter 1.0 mm | 106-60064 hole diameter 1.6 mm | 106-60065 hole diameter 1.6 mm |

On request

- performance level I + III or customized
- special contact length
- without flange
- contact arrangement



Solder - Performance level II • • •

| No. of contacts | Contact arrangement | Termination length L | | | | |
|-----------------|---------------------|----------------------|-----------|-----------|-----------|---|
| | | 4.0 mm | 20 mm | 2.5 mm | 4.6 mm | 5.5 mm <small>Manual soldering with solder lug</small> |
| 32 | | Part number | | | | |
| | | 106-40064 | 106-40065 | 106-40084 | 106-40075 | 106-40066 |

On request

- performance level I + III or customized
- special contact length
- also in THTR
- Board-Lock p. 131
- contact arrangement