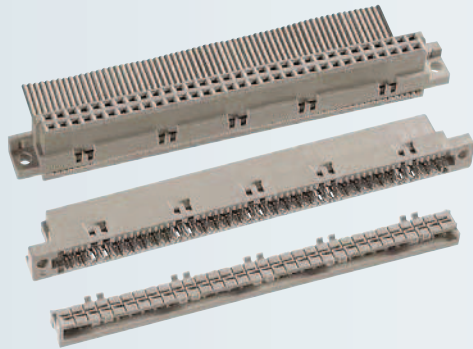


# DIN 41612

## IDC Type B Female Connector



**Type:** Female connector straight with 2 rows

**Termination:** IDC

**Number of contacts:** 64

**Pitch:** 2.54 mm

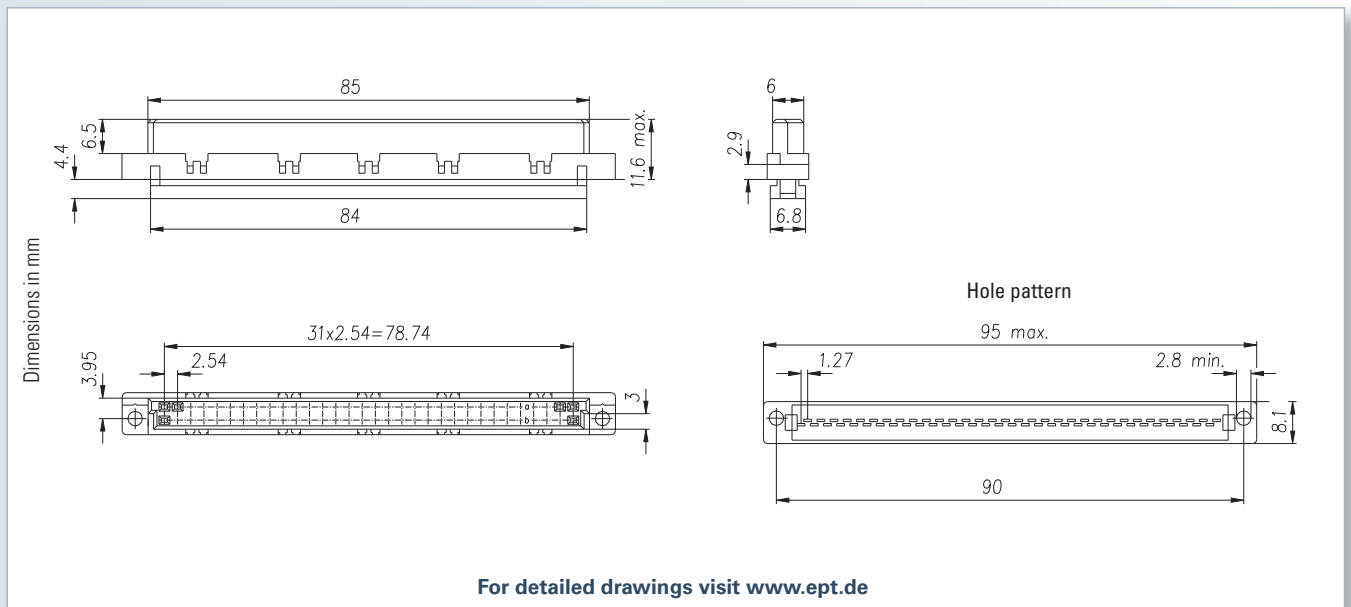
**Operational current:** 1.0 A

**Packaging:** Box

**Standard:** IEC 60603-2



Technical Specifications on page 36



### IDC - Performance level II

No. of contacts	Contact arrangement	Part number
64		102-49064

#### On request

- strain relief bracket
- ribbon cable
- also available in solder/press-fit (see on page 42)

#### Note

Additional information & Technical specifications see p. 130

#### Mating connector / Application:

Type B Male connector (p. 40)

Type Q Male connector (p. 72)