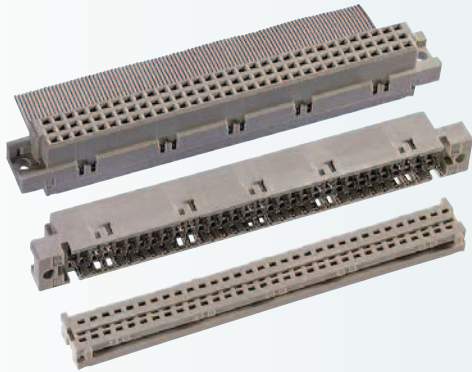


DIN 41612

IDC Type C Female Connector



Type: Female connector straight with 3 rows

Termination: IDC

Number of contacts: 64, 96

Pitch: 2.54 mm

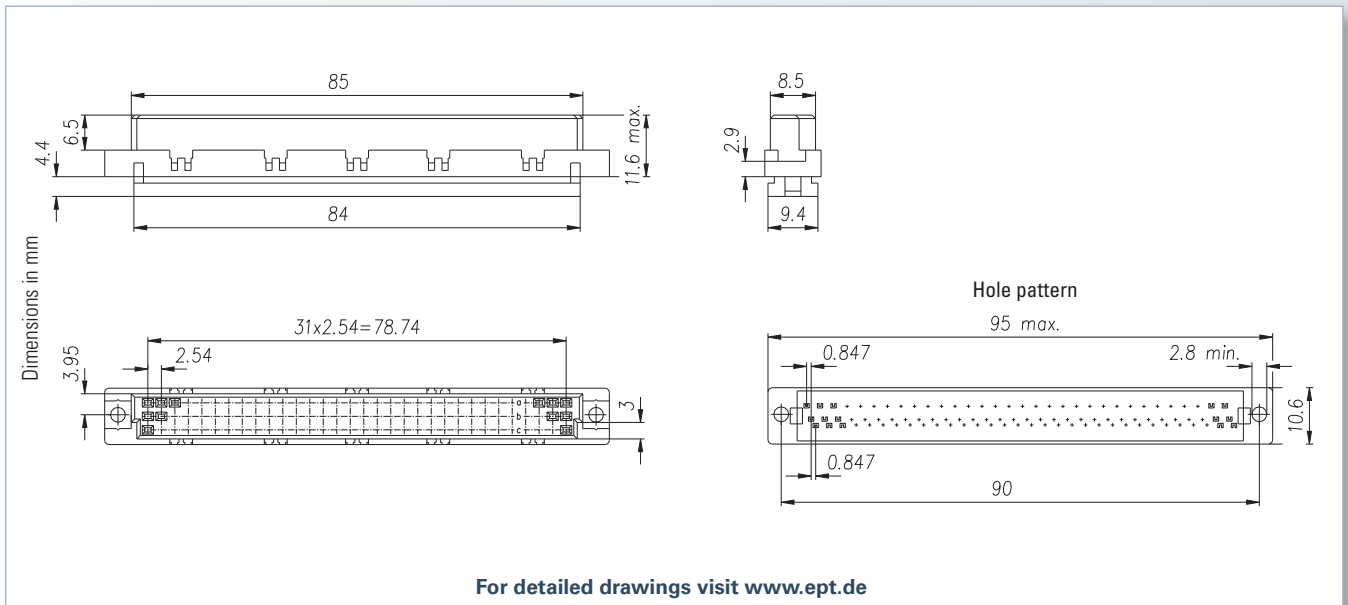
Operational current: 1.0 A

Packaging: Box

Standard: IEC 60603-2



Technical Specifications on page 36



IDC - Performance level II

No. of contacts	Contact arrangement	Part number
64		104-49054
96		104-49064

On request

- strain relief bracket
- ribbon cable
- also available in solder/press-fit (see on page 54)

Note

Additional information & Technical specifications see p. 130

Mating connector / Application:

Type C Male connector (p. 52)

Type R Male connector (p. 74)