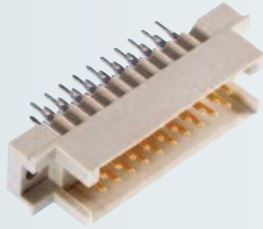


DIN 41612



Type R/3 Male Connector



Type: Male connector straight with 3 rows

Termination: Press-fit, solder

Number of contacts: 30

Pitch: 2.54 mm

Operational current: 1.5 A

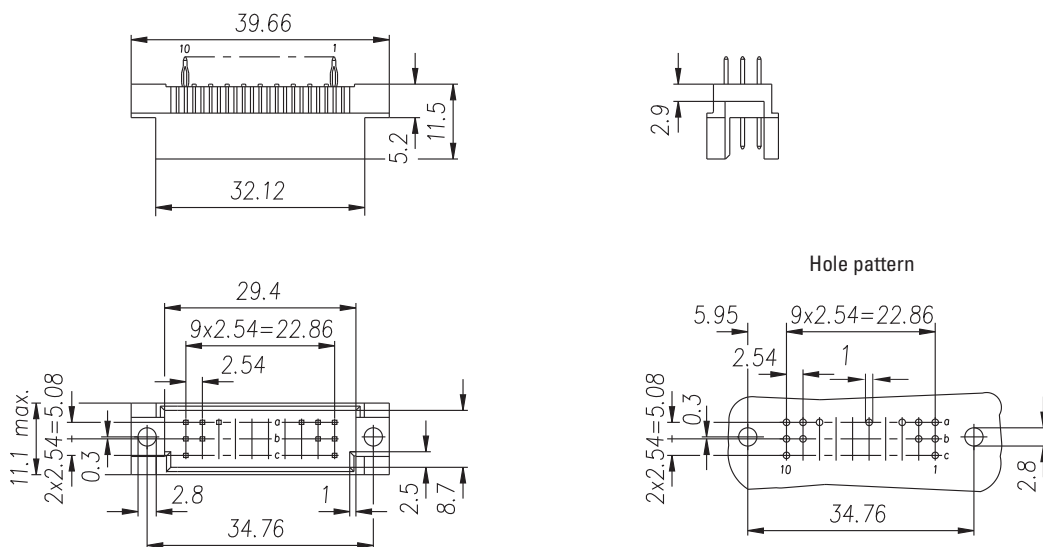
Packaging: Box

Standard: IEC 60603-2



Technical Specifications on page 36

Dimensions in mm



For detailed drawings visit www.ept.de

Accessories

- Processing tools p. 298


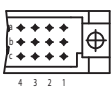
Mating connector / Application:

 Type R/3 Female connector (p. 84)

 Type C/3 Female connector (p. 62)



Press-fit - Performance level II • • •


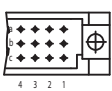
No. of contacts	Contact arrangement	Termination length L 		
		4.6 mm	13 mm	17 mm
		Part number		
30		115-68014	115-78015	115-78016

On request

- performance level I + III or customized
- special contact length
- alternative contact surface
Sn e. g. for WireWrap
- contact arrangement



Solder - Performance level II • • •

No. of contacts	Contact arrangement	Termination length L 	
		2.5 mm	4.0 mm
		Part number	
30		115-80064	115-80065

On request

- performance level I + III or customized
- special contact length
- also in THTR
- Board-Lock p. 131
- contact arrangement