



Features:

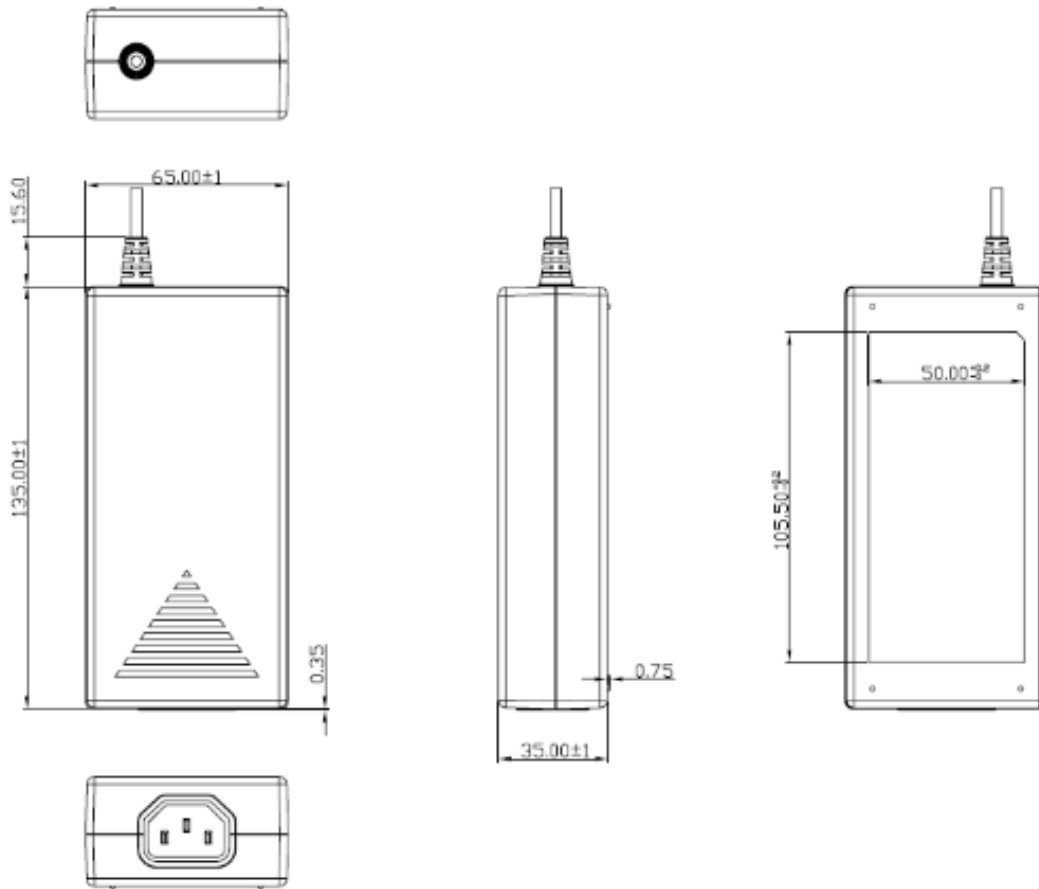
- Universal / Full range AC input
- Small & Compact design
- Cost effective and high reliability
- Efficiency Level 6



SPECIFICATION

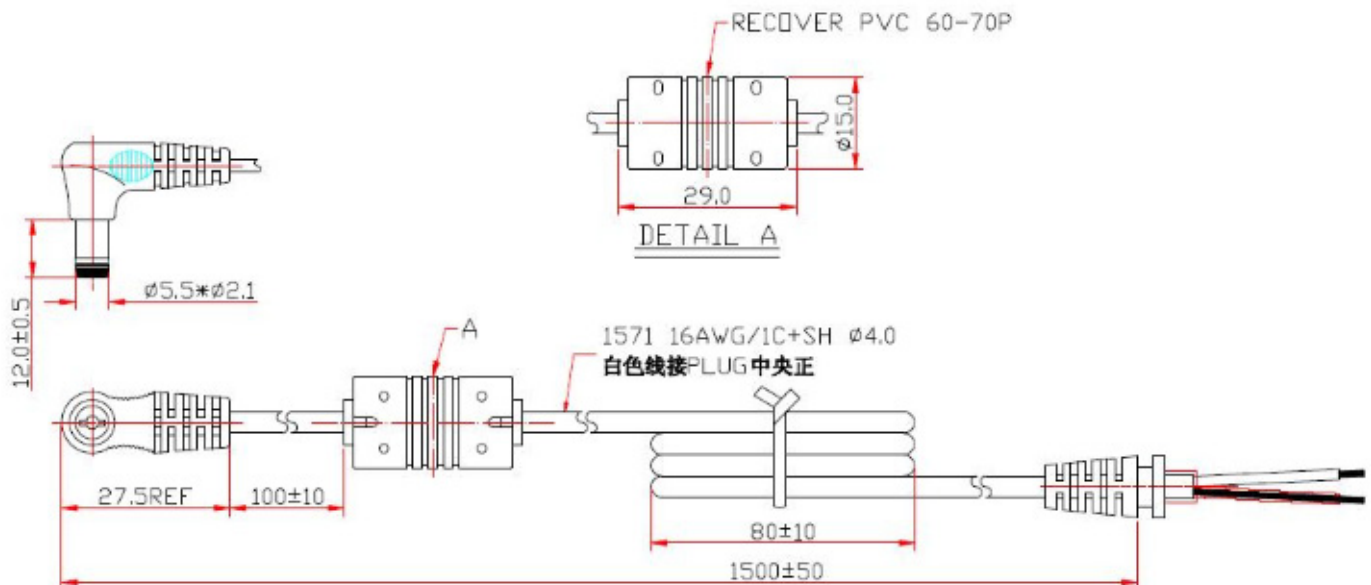
| Part Number | T5791ST | T6079ST |
|---------------------------------------|--|--|
| AC Input Voltage | 90 - 264VAC | 90 - 264VAC |
| AC Input Frequency | 47 - 63Hz | 47 - 63Hz |
| AC Input Current | 115 VAC/230VAC Voltage 2.0A MAX | 115 VAC/230VAC Voltage 2.0A MAX |
| DC Output Voltage | +12V | +12V |
| Minimum Load Current | 0A | 0A |
| Nominal Load Current | 5A | 5A |
| Nominal Output Power | 60W | 60W |
| Total Output Regulation | +/- 5% | +/- 5% |
| Line Regulation | +/- 2% | +/- 2% |
| Ripple And Noise | 12mVp-p MAX | 12mVp-p MAX |
| Output Voltage Regulation | +/-5% | +/-5% |
| Average Efficiency | 86% MIN - 88% MAX | 86% MIN - 88% MAX |
| Turn-On Delay | 3 Seconds MAX | 3 Seconds MAX |
| Over Current Protection | 9A maximum with auto-recovery function | 9A maximum with auto-recovery function |
| Over Voltage Protection | 20 VDC maximum anto-recovery function | 20 VDC maximum anto-recovery function |
| Power Consumption (Power Saving Mode) | LOAD IS "0mA", VIN=230V(50Hz) /115V(60Hz) Pmax=0.15W under | LOAD IS "0mA", VIN=230V(50Hz) /115V(60Hz) Pmax=0.15W under |
| HI-POT | Primary To Secondary: 1500VAC 10mA 1minute or 2121VDC 10mA 1minute Primary To Ground: 1500VAC 10mA 1minute or 2121VDC 10mA 1minute | Primary To Secondary: 1500VAC 10mA 1minute or 2121VDC 10mA 1minute Primary To Ground: 1500VAC 10mA 1minute or 2121VDC 10mA 1minute |
| Leakage Current | 3.5mA maximum, at nominal AC input voltage and frequency | 3.5mA maximum, at nominal AC input voltage and frequency |
| Safety Standards | UL/CUL(UL60950-1),TUV-GS(EN609501) CCC(GB4943.1-2011),BSMI(CNS14336) PSB(IEC:60950),S13252(Part1),PSE(J60950) KC-MARK(K60950) | UL/CUL(UL60950-1),TUV-GS(EN609501) CCC(GB4943.1-2011),BSMI(CNS14336) PSB(IEC:60950),S13252(Part1),PSE(J60950) KC-MARK(K60950) |
| EMI Standards | FCC(PART15,CALSSB),CE(EN55022), GB9254,GB17625.1-2012 BSMI(CNS 13438),CISPR22,PSE(J55022), KC-MARK(K00022) | FCC(PART15,CALSSB),CE(EN55022), GB9254,GB17625.1-2012 BSMI(CNS 13438),CISPR22,PSE(J55022), KC-MARK(K00022) |
| MTBF | 50K | 50K |
| Operating Temperature | 0-40C | 0-40C |
| Storage Temperature | -20 - 60c | -20 - 60c |
| Operating Humidity | 20 ~ 85% | 20 ~ 85% |
| Storage Humidity | 5 ~ 95% | 5 ~ 95% |
| Dimensions | 136 (L) *66 (W) *36 (H) mm maximum | 136 (L) *66 (W) *36 (H) mm maximum |
| Weight | 320g maximum | 320g maximum |
| Input Plug Type | IEC320 C14 AC PIN | IEC320 C14 AC PIN |
| Output Cord | WIRE: 16AWG/1C+SH 1571, 1500mm PLUG: JACK PLUG 5.5*2.1*12mm | WIRE: 16AWG/1C+SH 1571, 1500mm PLUG: JACK PLUG 5.5*2.5*12mm |

CASE SIZE (MM)



CABLE (MM)

(See chart for individual spec)



Stontronics Ltd

Chancerygate Business Centre, Cradock Road, Reading, Berkshire, RG2 0AH.

Tel: +44 (0) 118 931 1199 • Fax: +44 (0) 118 931 1145 • Email: info@stontronics.co.uk • Web: www.stontronics.com

Please Note: Image shown is representative of entire range. Individual PSU image &/or drawings or data sheets available on request.

Stontronics Ltd accepts no responsibility for typographical errors in the production of this leaflet. Product specifications are subject to change without notice.

