

4. Specifications

Model:	TP1210A	TP1220A
Input Power:	120 / 240V AC @ 50/60Hz	
Output Power:	12V DC	
Total Output Current (Max):	10A	20A
Output Current (Max) per port:		
Fuses Rating at:	2.5A for each port, however max current cannot exceed the total capacity of units rating.	
Main Fuse Rated at:	250V 3A	
Mounting:	Wall	
Weatherproofing:	No	
Dimensions:	187 x 226mm	281 x 255mm

TECHNICAL SUPPORT:

For Technical Support for any Xvision product please contact your local distributor.

LIMITED WARRANTY:

This product is supplied with a 1 Year warranty. The Warranty excludes products that have been misused, (including accidental damage) and damage caused by normal wear and tear. In the unlikely event that you encounter a problem with this product, it should be returned to the place of purchase.

Manufactured exclusively for Xvision



Models: **TP1210A / TP1220A**
 12V DC 9 output 10A / 18 output 20A,
 Professional Wall Mount Power Supply

Before you begin

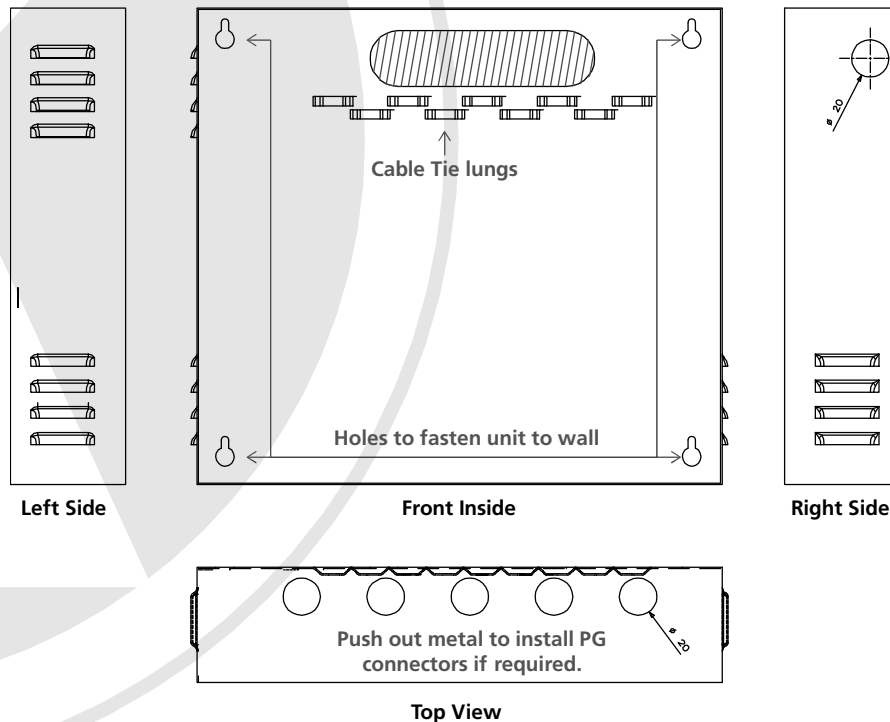
- Power to the unit should be correct for local electrical appliance standards & regulations.
- Ensure the AC Input power is off before working with the unit.
- The Unit will supply a constant voltage to all Output contacts as specified. Each Output is protected with a PTC fuse, this will auto reset and stop any short circuit causing damage to the device. The fuse will auto reset, note: All other Outputs will be unaffected.
- The unit is protected against reverse polarity and fuse fault. Should the common supplied output be short circuited, the unit will drop the voltage until the fault is corrected. It will immediately reset the voltage when the fault is removed. The same applies when exceeding the Current specification.

Model:
TP12xxA Series
 12V DC PTC fused protected outputs,
 Professional Wall Mount Power Supply

1. Product Description

The TP12xxA features individually PTC fuse protected 2500mA, with maximum output current limiting & over voltage protection. This well designed unit is easy to install & provides a professional solution for power distribution in all types of CCTV installation.

2. Product Assembly



3. Installation

1. Mount the Power Supply case at the required location. The case has clear fixing hole locations, which are easily accessible.
2. Ensure the local power AC is not live before any connection is made.
3. Connect each camera to the individually protected outputs as desired.

NOTE:

- Green plug you removed to provide easy connection of cables.
- Cables ties can be used to secure down the output cables to case for protection of accidental pulled cables disconnecting.

4. Remove the master AC input power fuse located top left.
5. Now connect the AC input power colour coding which matches local standards. Product is designed for direct ring mains connection for the most secure power source, ideally a fused spur would provide the best source for the AC power input for device.
Blue = Neutral, Green = Earth, Brown = Live

