

PLEASE CHECK WWW.MOLEX.COM FOR LATEST PART INFORMATION

Part Number: [0900750141](#)
Status: **Active**
Overview: [Modular Jacks and Plugs](#)
Description: Modular Plug, Short Body, 8/8

Documents:

3D Model	Application Specification AS-90075 (PDF)
Drawing (PDF)	RoHS Certificate of Compliance (PDF)
Product Specification PS-90075 (PDF)	Product Literature (PDF)

Agency Certification

UL E107635

General

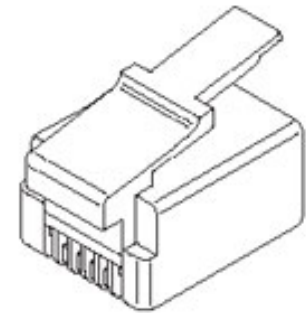
Product Family	Modular Jacks/Plugs
Series	90075
Component Type	Wire Plug
Magnetic	No
Overview	Modular Jacks and Plugs
Performance Category	3
Power over Ethernet (PoE)	N/A
Product Literature Order No	987650-8441
Product Name	RJ45
UPC	800753539198

Physical

Boot Color	N/A
Color - Resin	Clear
Durability (mating cycles max)	500
Flammability	94V-0
Inverted / Top Latch	N/A
Jack Height	N/A
Lightpipes/LEDs	None
Material - Metal	Copper Alloy
Material - Plating Mating	Gold
Material - Plating Termination	Tin
Material - Resin	Polycarbonate
Net Weight	1.031/g
Orientation	N/A
PCB Retention	None
Packaging Type	Bag
Pitch - Mating Interface	1.02mm
Pitch - Termination Interface	1.02mm
Plating min - Mating	1.270µm
Plating min - Termination	1.270µm
Ports	1
Positions / Loaded Contacts	8/8
Surface Mount Compatible (SMC)	No
Temperature Range - Operating	-40°C to +60°C
Termination Interface: Style	N/A
Waterproof / Dustproof	No
Wire/Cable Type	Flat Oval

Electrical

Current - Maximum per Contact	1.5A
Grounding to Panel	N/A
Shielded	No



Series image - Reference only

EU ELV

Not Relevant

EU RoHS

Compliant

China RoHS

REACH SVHC

Not Contained Per
-ED/79/2015 (17
December 2015)

Halogen-Free

Status

Low-Halogen

Need more information on product environmental compliance?

Email productcompliance@molex.com
Please visit the [Contact Us](#) section for any non-product compliance questions.

China ROHS
ELV

Green Image
Not Relevant

Search Parts in this Series

[90075 Series](#)

Mates With

FCC 68 Jacks...

Application Tooling | FAQ

Tooling specifications and manuals are found by selecting the products below. Crimp Height Specifications are then contained in the Application Tooling Specification document.

Global

Description	Product #
IDT - Manual Press	0011201274
Parallel Action Handtool for Modular Plug, FCC 68, 8/8 Circuit, Short Body Arbor Press Fixture	0690081124
for Modular Plug,	0690200140

Voltage - Maximum 125V DC

FCC 68, Short Body,
8/8 Circuit

Solder Process Data

Lead-free Process Capability N/A

Material Info

Reference - Drawing Numbers

Application Specification AS-90075
Product Specification PS-90075
Sales Drawing SDA-90075

This document was generated on 03/04/2016

PLEASE CHECK WWW.MOLEX.COM FOR LATEST PART INFORMATION