

NEW



100W

Optics

- 2 versions:
1 x 100W warm white COB LED (3200K)
or 1 x 100W cool white COB LED (6000K)
- Manually adjustable beam angle: 25° - 37°
- CRI > 95
- Glass condenser optic system with zoom and focus adjustment
- 1.6kHz refresh rate
- Beam framing shutter
- Gobo slot (Gobo size: 70mm)

Control

- DMX channels: 1 or 2 selectable

Dimmer

- 0-100% dimming and variable strobe
- 4 dimming curves in both LED and halogen profiles:
Linear, square law, inverse square law and S-curve

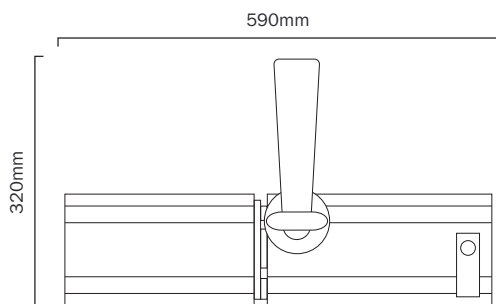
Additional features

- 3 push button menu with LCD display
- PowerCON in/out sockets
- 5-Pin XLR in/out sockets
- Temperature controlled fan cooling
- Handle on rear panel
- Filter frame included
- Supplied with gobo holder

Specifications

- Power consumption: 120W
- Power supply: 100~240V, 50/60Hz
- Dimensions: 320 x 262 x 590mm
- Weight: 9.6kg

Order code	Version
ELUM094	100W WW
ELUM095	100W CW



2 YEAR WARRANTY
Valid from date of purchase & subject to Terms & Conditions

150W

Optics

- 2 versions:
1 x 150W warm white COB LED (3200K)
or 1 x 150W cool white COB LED (6000K)
- Manually adjustable beam angle: 25° - 37°
- CRI > 95
- Glass condenser optic system with zoom and focus adjustment
- 1.6kHz refresh rate
- Beam framing shutter
- Gobo slot (Gobo size: 70mm)

Control

- DMX channels: 1 or 2 selectable

Dimmer

- 0-100% dimming and variable strobe
- 4 dimming curves in both LED and halogen profiles:
Linear, square law, inverse square law and S-curve

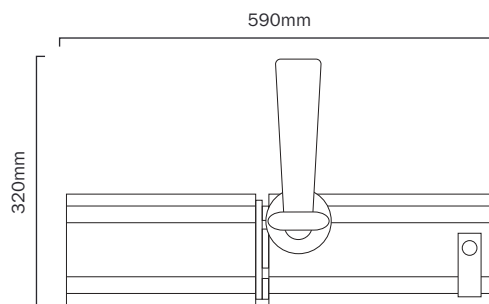
Additional features

- 3 push button menu with LCD display
- PowerCON in/out sockets
- 5-Pin XLR in/out sockets
- Temperature controlled fan cooling
- Handle on rear panel
- Filter frame included
- Supplied with gobo holder

Specifications

- Power consumption: 170W
- Power supply: 100~240V, 50/60Hz
- Dimensions: 320 x 262 x 590mm
- Weight: 9.6kg

Order code	Version
ELUM096	150W WW
ELUM097	150W CW



2 YEAR WARRANTY
Valid from date of purchase & subject to Terms & Conditions