

# ANSI C136.41 ROTATABLE DIMMING RECEPTACLE

TE Connectivity launches a new ANSI C136.41 compliant fully rotatable dimming receptacle which provide an electrical and mechanical interconnection between an ANSI C136.41-2013 photo control cell and luminaire. Ideal for outdoor commercial and utility lighting the ANSI C136.41 compliant dimming receptacle is available with two or four dimming contacts to support either 0-10 VDC dimming methods or Digital Addressable Lighting Interface (DALI), while providing a reliable power interconnect with three robust twist lock contacts.

## Applications

- Street and Roadway Lighting
- Photo controls
- Parking Lot Lighting

## Electrical

- cUR recognized to UL 773
- Power contacts: Current rating: 15 A max  
Voltage rating: 480 VAC/DC
- Dimming contacts: Current rating: 1.5 A max  
Voltage rating: 30 VAC/DC

## Mechanical

- Conforms to dimensional requirements of ANSI C136.41-2013
- Offer a 5 and 7 position version
- 5 position: 3 power contacts +  
2 dimming/signal contacts
- 7 position: 3 power contacts +  
4 dimming/signal contacts
- Power contacts terminated to 14AWG stranded wire per UL1015 or UL3321
- Signal Contacts terminated to 18AWG stranded wire per UL1015 or UL3321

## Product Specifications

- Application Specification: 114-32148
- Product Specification: 108-32059
- Instruction sheet: 408-32196



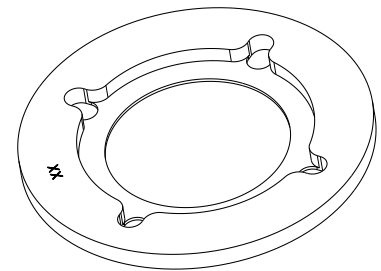
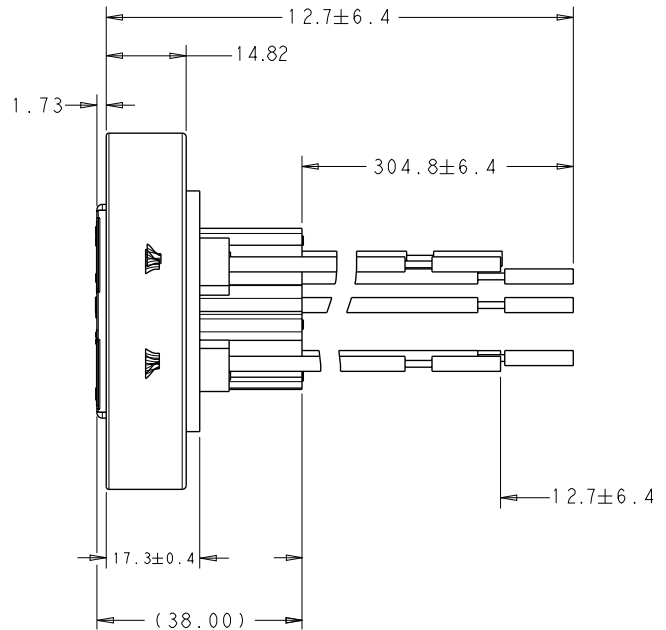
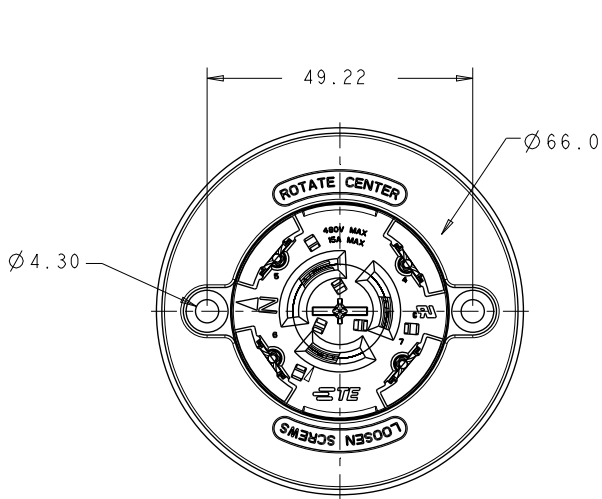
## Key Benefits

- Fully rotates up to 355 degrees
- Robust twist lock contacts for a reliable power interconnect
- Receptacle comes pre-terminated with wire leads for ease of integration into new or existing light fixtures
- Available with 105° and 150° C rated wire insulation for varying temperature rated luminaires
- Accepts ANSI standard dimmable photocells to provide a connection between the photocell and the luminaire
- Available with two or four dimming contacts to support one or two channel dimming protocols

## Materials

- Power contacts: Copper Alloy, tin over nickel plating
- Dimming contacts: Copper Alloy, gold over nickel plating
- Housing: Glass filled PBT, UL 94V-0 flammability rated

# ANSI C136.41 ROTATABLE DIMMING RECEPTACLE



**GASKET**

## Product Selection Information

Part Number	Description
<a href="#">2213626-1</a>	Gasket, Sealing Rot Dim Recept
<a href="#">2213627-1</a>	Assembly, Rot Dim Rec 5 Pos 150C
<a href="#">2213627-2</a>	Assembly, Rot Dim Rec 7 Pos 150C
<a href="#">2213627-3</a>	Assembly, Rot Dim Rec 5 Pos 105C
<a href="#">2213627-4</a>	Assembly, Rot Dim Rec 7 Pos 105C
2213627-5*	Assembly, Rot Dim Rec 5P 150C Gasket
2213627-6*	Assembly, Rot Dim Rec 7P 150C Gasket
2213627-7*	Assembly, Rot Dim Rec 5P 105C Gasket
2213627-8*	Assembly, Rot Dim Rec 7P 105C Gasket

\*Part number available upon special request (not a stocked item).

### te.com

© 2016 TE Connectivity Ltd. Family of Companies. All Rights Reserved. TE, TE Connectivity, and the TE connectivity (logo) are trademarks of the TE Connectivity Ltd. family of companies. Other logos, product and company names mentioned herein may be trademarks of their respective owners.  
1-1773872-8 JN 03/2016

USA: +1 (800) 522-6752  
Canada: +1 (905) 475-6222  
Mexico: +52 (0) 55-1106-0800  
Latin/S. America: +54 (0) 11-4733-2200  
Germany: +49 (0) 6251-133-1999

UK: +44 (0) 800-267666  
France: +33 (0) 1-3420-8686  
The Netherlands: +31 (0) 73-6246-999  
China: +86 (0) 400-820-6015