

# **EQUINOX**

## **Promo Spot**

**User Manual**



**Order code: EQLED86**

### WARNING

#### FOR YOUR OWN SAFETY, PLEASE READ THIS USER MANUAL CAREFULLY BEFORE YOUR INITIAL START-UP!

- Before your initial start-up, please make sure that there is no damage caused during transportation.
- Should there be any damage, consult your dealer and do not use the equipment.
- To maintain the equipment in good working condition and to ensure safe operation, it is necessary for the user to follow the safety instructions and warning notes written in this manual.
- Please note that damages caused by user modifications to this equipment are not subject to warranty.



### IMPORTANT:

The manufacturer will not accept liability for any resulting damages caused by the non-observance of this manual or any unauthorised modification to the equipment.

- Never let the power cable come into contact with other cables. Handle the power cable and all mains voltage connections with particular caution!
- Never remove warning or informative labels from the unit.
- Do not open the equipment and do not modify the unit.
- Do not connect this equipment to a dimmer pack.
- Do not switch the equipment on and off in short intervals, as this will reduce the system's life.
- Only use the equipment indoors.
- Do not expose to flammable sources, liquids or gases.
- Always disconnect the power from the mains when equipment is not in use or before cleaning! Only handle the power-cable by the plug. Never pull out the plug by pulling the power-cable.
- Make sure that the available voltage is between 100~240V, 50/60Hz.
- Make sure that the power cable is never crimped or damaged. Check the equipment and the power cable periodically.
- If the equipment is dropped or damaged, disconnect the mains power supply immediately and have a qualified engineer inspect the equipment before operating again.
- If the equipment has been exposed to drastic temperature fluctuation (e.g. after transportation), do not connect power or switch it on immediately. The arising condensation might damage the equipment. Leave the equipment switched off until it has reached room temperature.
- If your product fails to function correctly, stop use immediately. Pack the unit securely (preferably in the original packing material), and return it to your Pro Light dealer for service.
- Only use fuses of same type and rating.
- Repairs, servicing and power connection must only be carried out by a qualified technician. THIS UNIT CONTAINS NO USER SERVICEABLE PARTS.
- WARRANTY: One year from date of purchase.

### OPERATING DETERMINATIONS

If this equipment is operated in any other way, than those described in this manual, the product may suffer damage and the warranty becomes void. Incorrect operation may lead to danger e.g: short-circuit, burns and electric shocks etc.

Do not endanger your own safety and the safety of others!

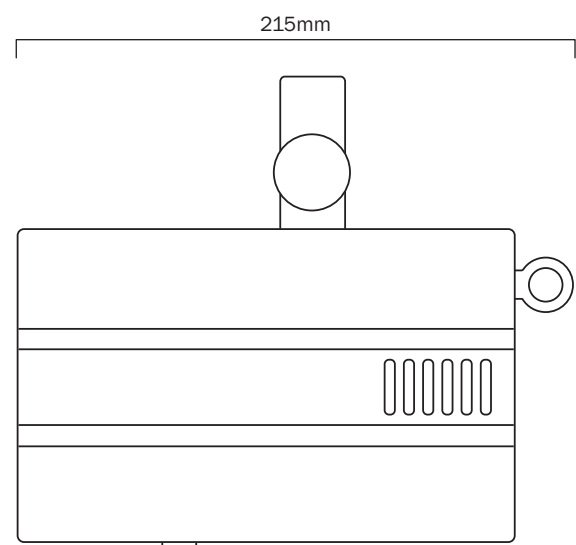
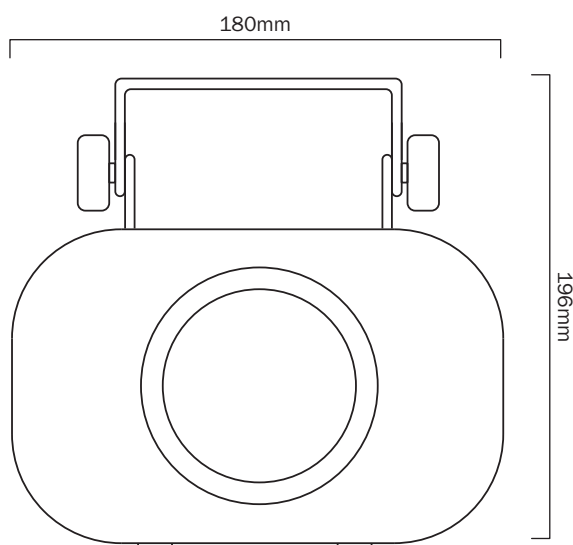
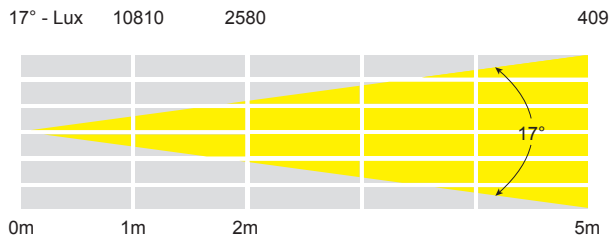
Incorrect installation or use can cause serious damage to people and/or property.

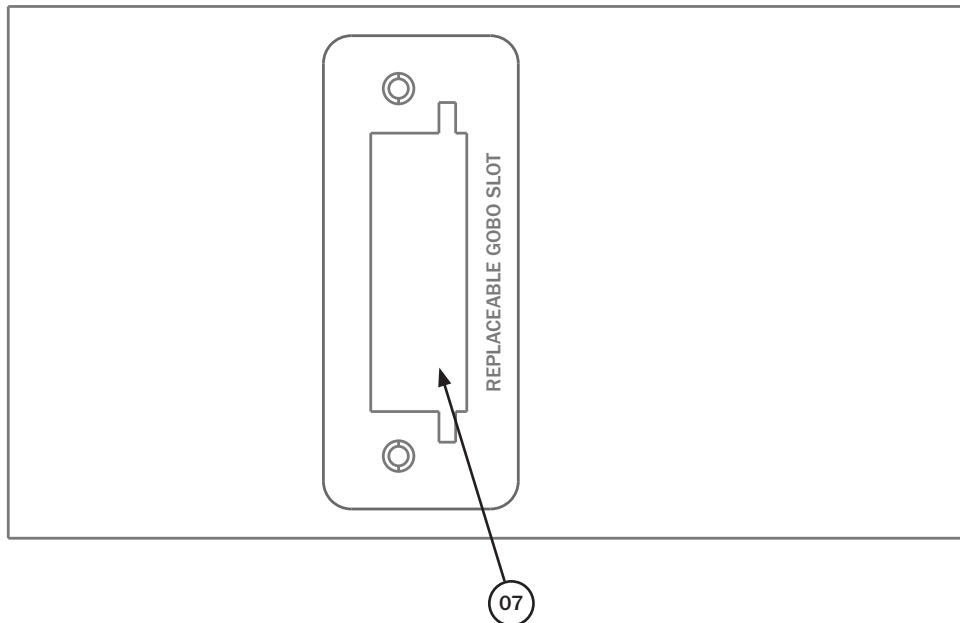
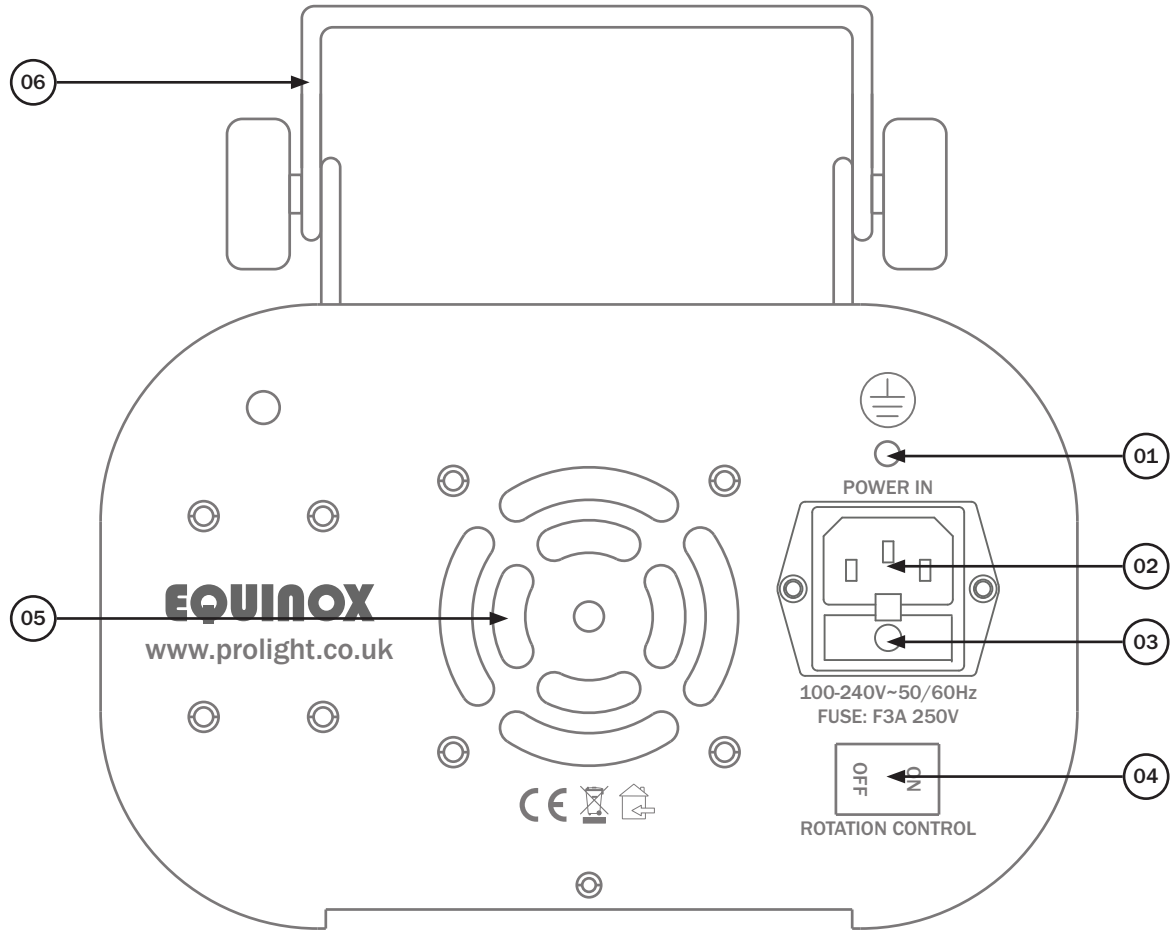
### Promo Spot

The Equinox Promo Spot allows you to project a wide variety of gobo's and logos adding an extra dimension to events and installations. Powered by a 25W LED, this high-output gobo projector comes with 11 easily replaceable, rotating gobos. The manual focus adjustment allows the user to create crisp imagery.

- 1 x 25W LED
- Beam angle: 17°
- 2580 Lux @ 2m
- 11 user replaceable, rotating gobos
- Rotate, stop & reverse control
- IEC power in socket
- Fan cooled

Specifications	
Power consumption	36W
Power supply	100~240V, 50/60Hz
Fuse	F3A 250V
Dimensions	196 x 180 x 215mm
Weight	1.7kg





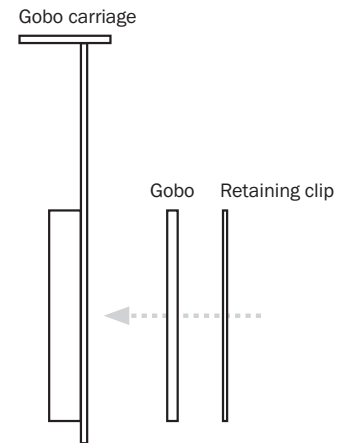
- 01 - Earth point
- 02 - IEC power input
- 03 - Fuse F3A 250V
- 04 - Rotation control switch

- 05 - Fan
- 06 - Hanging bracket
- 07 - Replaceable gobo slot

In the box: **1 x fixture,**  
**1 x power cable &**  
**1 x user manual**

### Gobo replacement:

The Promo Spot is supplied with 11 steel gobo's. To replace the gobo first power off the fixture and leave to cool. Isolate the fixture from the mains voltage supply. On the underside of the unit remove the two thumbscrews and withdraw the gobo carriage from the fixture. Carefully remove the circlip holding the gobo in place, then remove the gobo and replace with the new gobo. Install the gobo retaining circlip and reinstall the gobo carriage into the fixture. Replace the thumbscrews taking care to tighten them fully. Power on the fixture and adjust focus as required.



Users may change the gobos supplied for a custom design of their own. Custom gobos can be made of metal, glass or user printed onto standard transparency film. The image size for custom gobos should be no greater than 23mmØ and the overall size of the gobo should be 28.5mmØ.

Please note: Gobos printed using standard transparency film (up to 1mm) should be for temporary use only up to a maximum of 6-8 hours. Gobo's printed with heavy black print may heat up faster and last for a shorter length of time before the gobo will require replacement.

### Operation:

Located on the rear panel of the unit is the rotation control switch (RED). In the “ON” position the gobo will rotate continuously at a fixed speed. Switch the rotation control switch to “OFF” stop the rotation.

To reverse the direction of rotation change the switch from “ON” to “OFF” and back to “ON”.

Please note: The speed of the rotation is fixed and cannot be adjusted.

### Focus:

Manual focus adjustment is done by turning the lens assembly on the front of the fixture.

Rotate the lens clockwise or anti-clockwise until the projected image is in focus.

### Included gobos:





### ***Correct Disposal of this Product (Waste Electrical & Electronic Equipment)***

**(Applicable in the European Union and other European countries  
with separate collection systems)**

This marking shown on the product or its literature, indicates that it should not be disposed of with other household wastes at the end of its working life. To prevent possible harm to the environment or human health from uncontrolled waste disposal, please separate this from other types of wastes and recycle it responsibly to promote the sustainable reuse of material resources.

Household users should contact either the retailer where they purchased this product, or their local government office, for details of where and how they can take this item for environmentally safe recycling.

Business users should contact their supplier and check the terms and conditions of the purchase contract. This product should not be mixed with other commercial wastes for disposal.



# EQUINOX