

**PLEASE CHECK WWW.MOLEX.COM FOR LATEST PART INFORMATION**

**Part Number:** [0003121036](#)  
**Status:** **Active**  
**Description:** 3.18mm Diameter, HCS125, Pin and Socket Plug Housing, Single Row, without Panel Mount Ears, 3 Circuits, Natural, Nylon 94V-2

**Documents:**

[3D Model](#) [Product Specification PSX-42179 \(PDF\)](#)  
[Drawing \(PDF\)](#) [RoHS Certificate of Compliance \(PDF\)](#)

**Agency Certification**

CSA LR19980  
 UL E29179

**General**

Product Family Crimp Housings  
 Series [42179](#)  
 Application Power, Wire-to-Wire  
 MolexKits Yes  
 Product Name HCS-125  
 UPC 800754232678

**Physical**

Circuits (maximum) 3  
 Color - Resin Natural  
 Flammability 94V-2  
 Gender Dual  
 Glow-Wire Compliant No  
 Lock to Mating Part Yes  
 Material - Resin Nylon  
 Net Weight 3.556/g  
 Number of Rows 1  
 Packaging Type Bag  
 Panel Mount No  
 Pitch - Mating Interface 8.38mm  
 Polarized to Mating Part Yes  
 Stackable No  
 Temperature Range - Operating -40°C to +105°C

**Electrical**

Current - Maximum per Contact 20.0A

**Solder Process Data**

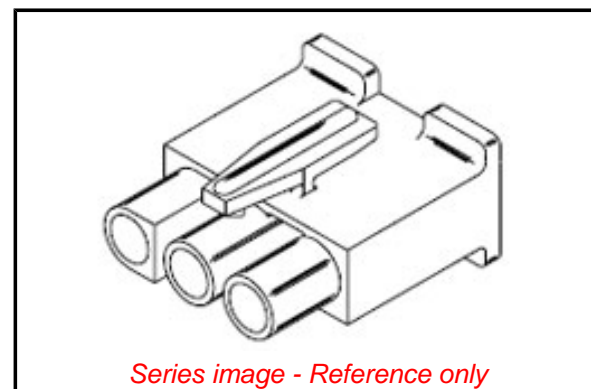
Lead-freeProcess Capability N/A

**Material Info**

Old Part Number 4217903R1

**Reference - Drawing Numbers**

Product Specification PSX-42179  
 Sales Drawing SD-42179-3\*



**EU ELV**

**Not Relevant**

**EU RoHS**

**Compliant**

**REACH SVHC**

Not Contained Per  
 -ED/79/2015 (17  
 December 2015)

**Halogen-Free**

**Status**

**Low-Halogen**

**Need more information on product environmental compliance?**

Email [productcompliance@molex.com](mailto:productcompliance@molex.com)  
 Please visit the [Contact Us](#) section for any non-product compliance questions.

China ROHS  
 ELV

Green Image  
 Not Relevant

**Search Parts in this Series**

[42179 Series](#)

**Use With**

[1900 Male Crimp Terminals, 1901 , 2046 , 2047 , 42546 , 42547 , 42554 , 42555](#)