

SAVE THESE INSTRUCTIONS FOR FUTURE REFERENCE

### APPLICATION

Occupancy sensor kit for industrial LED Luminaire. Suitable for ordinary locations only.

#### **⚠ WARNING**

To avoid the risk of fire, explosion or electric shock, this product should be installed, inspected and maintained by a qualified electrician only, in accordance with all applicable electrical codes.

#### **⚠ WARNING**

##### To avoid electric shock:

- Be certain electrical power is OFF before and during installation and maintenance.
- Luminaire must be supplied by a wiring system with an equipment grounding conductor.

##### To avoid burning hands:

- Make sure luminaire lens and housing are cool when installing and performing maintenance.

#### **⚠ WARNING**

##### To avoid product degradation:

- Make sure the wire supply voltage is the same as the occupancy sensor supply. Do not operate in ambient temperatures above those indicated on the luminaire nameplate.
- Use proper supply wiring as specified on the luminaire nameplate.

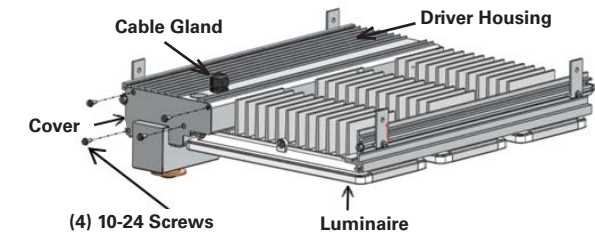
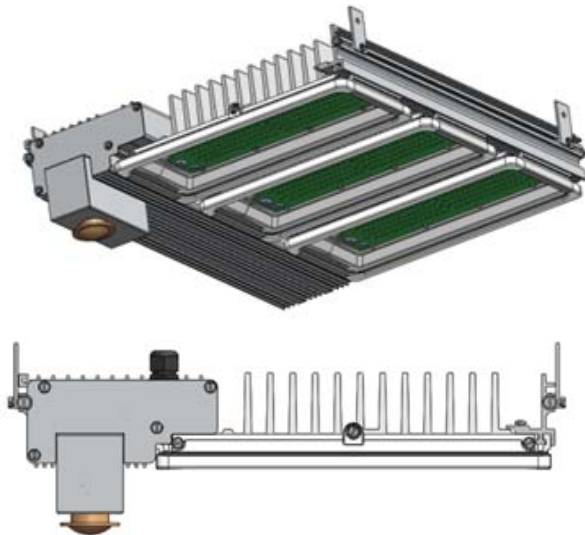


Figure 1

### WIRING DIAGRAM

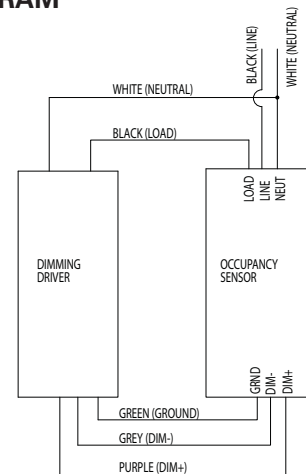


Figure 2

### OPERATING INSTRUCTIONS

For detailed operating instructions, refer to WattStopper FSP-211 data sheet.

For instructions for adjusting settings, refer to WattStopper FSIR-100 Wireless IR Commissioning Tool data sheet.

### INSTALLATION

#### OCCUPANCY SENSOR ASSEMBLY

1. Remove four (4) 10-24 screws and cover from the end of the driver housing enclosure closest to the cable glands as shown in Figure 1.
2. Locate the power wires, ground wire and dimming wires in driver housing. Wire occupancy sensor to light luminaire wiring according to wiring diagram in Figure 2. Refer to IF 1726 for wiring diagram of IHB luminaire. The occupancy sensor kit includes six (6) solid copper wires, two (2) 5-pole lever lock connectors and one (1) 2-pole lever lock

IHB Occupancy Kit	Occupancy Sensor Lens	Sensor Mounting Height (Feet)	Sensor Maximum Coverage Diameter (Feet)	Light Fixture
IHB C1 KIT	FSP-L2	8	48	8L
IHB C2 KIT	FSP-L3	20	40	16L, 24L, 32L, 48L, 64L
IHB C3 KIT	FSP-L4	40	60	48L, 64L
IHB C4 KIT	FSP-L7	40	100	48L, 64L

For instructions on occupancy sensor lenses, refer to WattStopper FSP-Lx.

All statements, technical information and recommendations contained herein are based on information and tests we believe to be reliable. The accuracy or completeness thereof are not guaranteed. In accordance with Crouse-Hinds "Terms and Conditions of Sale," and since conditions of use are outside our control, the purchaser should determine the suitability of the product for his intended use and assumes all risk and liability whatsoever in connection therewith.