

# NCP1207A, NCP1207B

## PWM Current-Mode Controller for Free Running Quasi-Resonant Operation

The NCP1207A/B combines a true current mode modulator and a demagnetization detector to ensure full borderline/critical Conduction Mode in any load/line conditions and minimum drain voltage switching (Quasi-Resonant operation). Due to its inherent skip cycle capability, the controller enters burst mode as soon as the power demand falls below a predetermined level. As this happens at low peak current, no audible noise can be heard. For the NCP1207A, an internal 8.0  $\mu$ s timer prevents the free-run frequency to exceed 125 kHz (therefore below the 150 kHz CISPR-22 EMI starting limit), while the skip adjustment capability lets the user select the frequency at which the burst foldback takes place. For the NCP1207B, the internal timer duration is reduced to 4.5  $\mu$ s to allow operation at higher frequencies (up to 200 kHz).

The Dynamic Self-Supply (DSS) drastically simplifies the transformer design in avoiding the use of an auxiliary winding to supply the NCP1207A/B. This feature is particularly useful in applications where the output voltage varies during operation (e.g. battery chargers). Due to its high-voltage technology, the IC is directly connected to the high-voltage DC rail. As a result, the short-circuit trip point is not dependent upon any  $V_{CC}$  auxiliary level.

The transformer core reset detection is done through an auxiliary winding which, brought via a dedicated pin, also enables fast Overvoltage Protection (OVP). Once an OVP has been detected, the IC permanently latches off.

Finally, the continuous feedback signal monitoring implemented with an overcurrent fault protection circuitry (OCP) makes the final design rugged and reliable.

- Free-Running Borderline/Critical Mode Quasi-Resonant Operation
- Current-Mode with Adjustable Skip-Cycle Capability
- No Auxiliary Winding  $V_{CC}$  Operation
- Auto-Recovery Overcurrent Protection
- Latching Overvoltage Protection
- External Latch Triggering, e.g. Via Overtemperature Signal
- 500 mA Peak Current Source/Sink Capability
- Undervoltage Lockout for  $V_{CC}$  Below 10 V
- Internal 1.0 ms Soft-Start
- Internal 8.0  $\mu$ s Minimum  $T_{OFF}$  for NCP1207A, 4.5  $\mu$ s Minimum  $T_{OFF}$  for NCP1207B
- Adjustable Skip Level
- Internal Temperature Shutdown
- Direct Optocoupler Connection
- SPICE Models Available for TRANSient Analysis
- These are Pb-Free and Halide-Free Devices

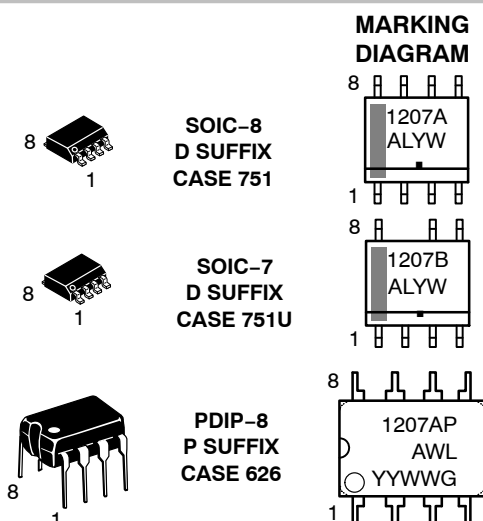
### Typical Applications

- AC/DC Adapters for Notebooks, etc.
- Offline Battery Chargers
- Consumer Electronics (DVD Players, Set-Top Boxes, TVs, etc.)
- Auxiliary Power Supplies (USB, Appliances, TVs, etc.)



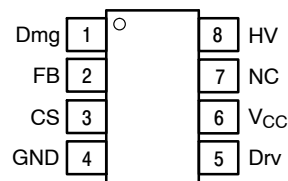
ON Semiconductor®

<http://onsemi.com>



1207A/B/AP = Device Code  
 A = Assembly Location  
 L, WL = Wafer Lot  
 Y, YY = Year  
 W, WW = Work Week  
 ■ or G = Pb-Free Package

### PIN CONNECTIONS

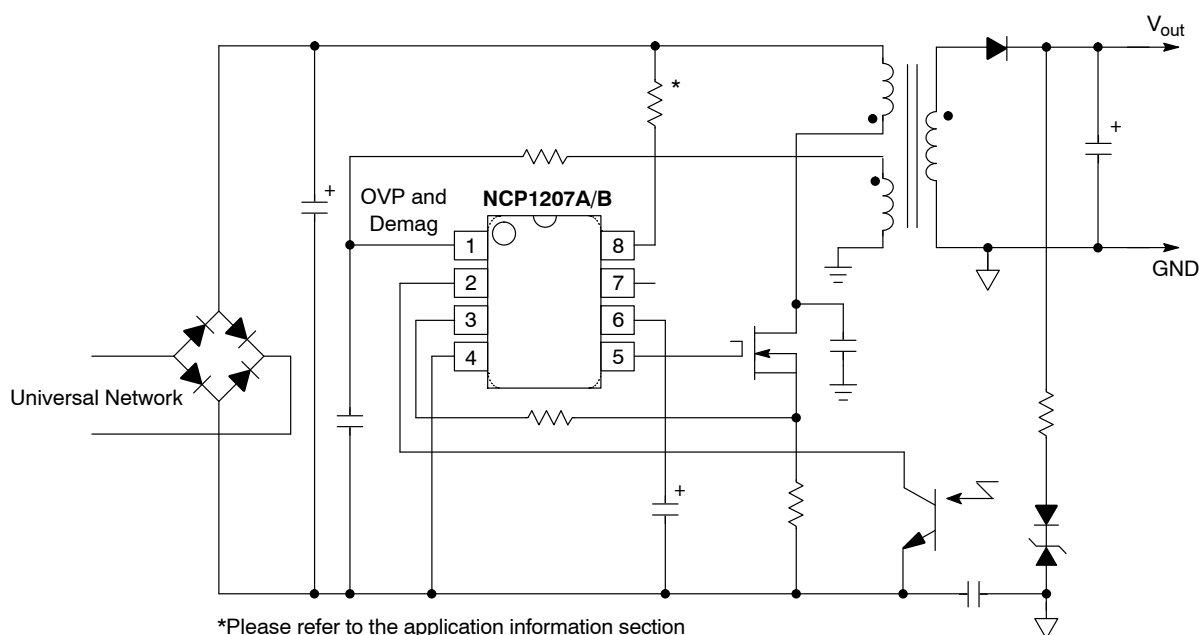


### ORDERING INFORMATION

Device	Package	Shipping†
NCP1207ADR2G	SOIC-8 (Pb-Free)	2500/Tape & Reel
NCP1207APG	PDIP-8 (Pb-Free)	50 Units / Rail
NCP1207BDR2G	SOIC-7 (Pb-Free)	2500/Tape & Reel

†For information on tape and reel specifications, including part orientation and tape sizes, please refer to our Tape and Reel Packaging Specifications Brochure, BRD8011/D.

## NCP1207A, NCP1207B

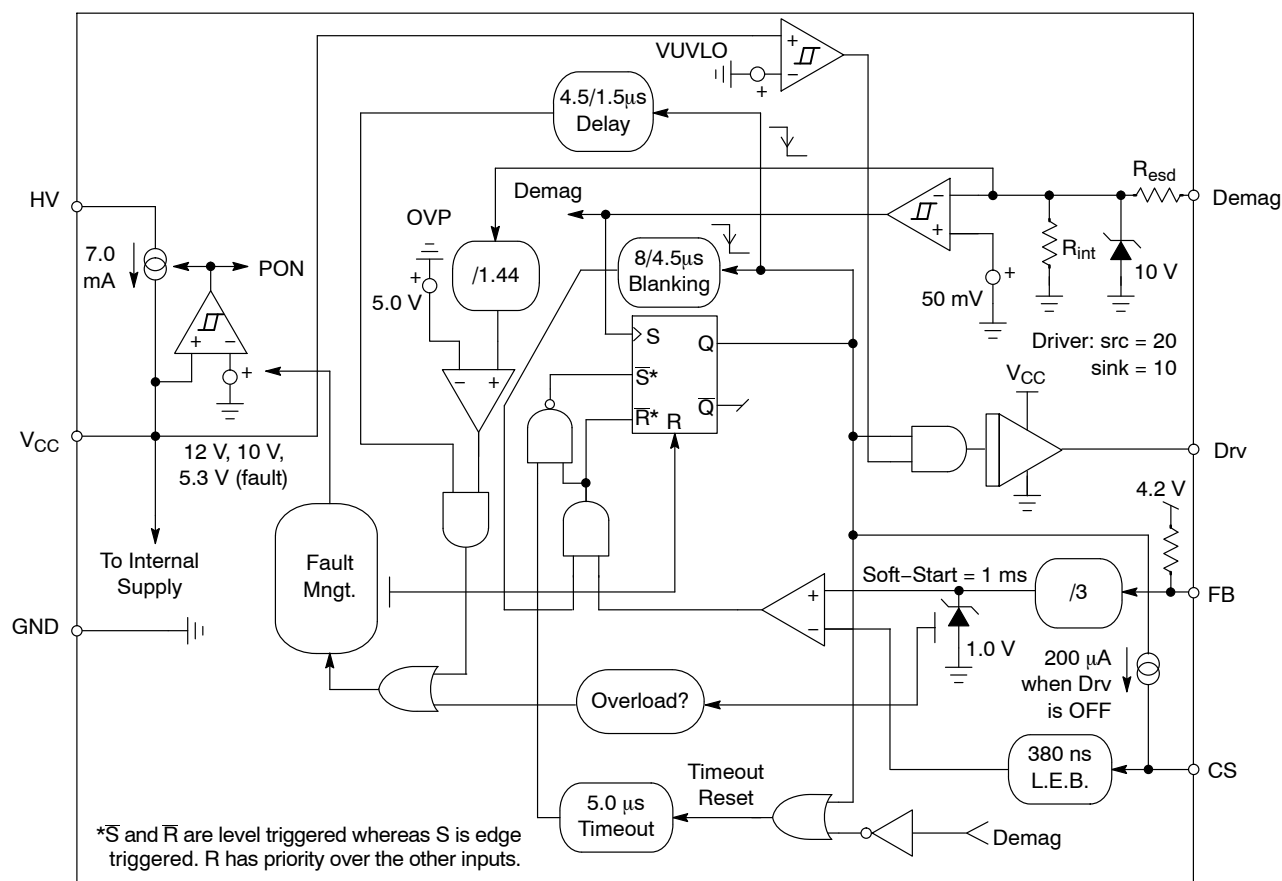


**Figure 1. Typical Application**

### PIN FUNCTION DESCRIPTION

Pin	Pin Name	Function	Description
1	Demag	Core reset detection and OVP	The auxiliary FLYBACK signal ensures discontinuous operation and offers a fixed overvoltage detection level of 7.2 V.
2	FB	Sets the peak current setpoint	By connecting an Optocoupler to this pin, the peak current setpoint is adjusted accordingly to the output power demand. By bringing this pin below the internal skip level, device shuts off.
3	CS	Current sense input and skip cycle level selection	This pin senses the primary current and routes it to the internal comparator via an L.E.B. By inserting a resistor in series with the pin, you control the level at which the skip operation takes place.
4	GND	The IC ground	-
5	Drv	Driving pulses	The driver's output to an external MOSFET.
6	V <sub>CC</sub>	Supplies the IC	This pin is connected to an external bulk capacitor of typically 10 μF.
7	NC	-	This unconnected pin ensures adequate creepage distance. (No pin on NCP1207B)
8	HV	High-voltage pin	Connected to the high-voltage rail, this pin injects a constant current into the V <sub>CC</sub> bulk capacitor.

## NCP1207A, NCP1207B



**Figure 2. Internal Circuit Architecture**

### MAXIMUM RATINGS

Rating	Symbol	Value	Units
Power Supply Voltage, $V_{CC}$ Pin, Continuous Voltage	$V_{CC}$ Static	20	V
Transient Power Supply Voltage, Duration < 10 ms, $I_{VCC}$ < 20 mA	$V_{CC}$ Pulse	25	V
Maximum Voltage on Pin 5 (Drv)	-	20	V
Maximum Voltage on all other pins except Pin 8 (HV), Pin 6 ( $V_{CC}$ ) and Pin 5 (Drv)	-	-0.3 to 10	V
Maximum Current for all pins except $V_{CC}$ (6), HV (8) and Demag (1) when 10 V ESD diodes are activated	-	5.0	mA
Maximum Current in Pin 1	$I_{dem}$	+3.0/-2.0	mA
Thermal Resistance, Junction-to-Case	$R_{\theta JC}$	57	$^{\circ}C/W$
Thermal Resistance, Junction-to-Air, SOIC version	$R_{\theta JA}$	178	$^{\circ}C/W$
Thermal Resistance, Junction-to-Air, DIP8 version	$R_{\theta JA}$	100	$^{\circ}C/W$
Operating Junction Temperature	$T_J$	-40 to +125	$^{\circ}C$
Maximum Junction Temperature	$T_{JMAX}$	150	$^{\circ}C$
Temperature Shutdown	-	155	$^{\circ}C$
Hysteresis in Shutdown	-	30	$^{\circ}C$
Storage Temperature Range	-	-60 to +150	$^{\circ}C$
ESD Capability, HBM Model (All pins except HV)	-	2.0	kV
ESD Capability, Machine Model	-	200	V
Maximum Voltage on Pin 8 (HV), Pin 6 ( $V_{CC}$ ) decoupled to ground with 10 $\mu F$	$V_{HVMAX}$	500	V
Minimum Voltage on Pin 8 (HV), Pin 6 ( $V_{CC}$ ) decoupled to ground with 10 $\mu F$	$V_{HVMIN}$	40	V

Stresses exceeding Maximum Ratings may damage the device. Maximum Ratings are stress ratings only. Functional operation above the Recommended Operating Conditions is not implied. Extended exposure to stresses above the Recommended Operating Conditions may affect device reliability.

# NCP1207A, NCP1207B

**ELECTRICAL CHARACTERISTICS** (For typical values  $T_J = 25^\circ\text{C}$ , for min/max values  $T_J = 0^\circ\text{C}$  to  $+125^\circ\text{C}$ , Max  $T_J = 150^\circ\text{C}$ ,  $V_{CC} = 11\text{ V}$  unless otherwise noted)

Rating	Pin	Symbol	Min	Typ	Max	Unit
--------	-----	--------	-----	-----	-----	------

## DYNAMIC SELF-SUPPLY

$V_{CC}$ Increasing Level at which the Current Source Turns-off	6	$V_{CC\text{OFF}}$	10.8	12	12.9	V
$V_{CC}$ Decreasing Level at which the Current Source Turns-on	6	$V_{CC\text{ON}}$	9.1	10	10.6	V
$V_{CC}$ Decreasing Level at which the Latchoff Phase Ends	6	$V_{CC\text{latch}}$	-	5.3	-	V
$V_{CC}$ Level at which Output Pulses are Disabled	6	UVLO	-	$V_{CC\text{ON}} - 200\text{mV}$	-	V
Internal IC Consumption, No Output Load on Pin 5, $F_{\text{SW}} = 60\text{ kHz}$	6	ICC1	-	1.0	1.3 (Note 1)	mA
Internal IC Consumption, 1.0 nF Output Load on Pin 5, $F_{\text{SW}} = 60\text{ kHz}$	6	ICC2	-	1.6	2.0 (Note 1)	mA
Internal IC Consumption in Latchoff Phase	6	ICC3	-	330	-	$\mu\text{A}$

## INTERNAL STARTUP CURRENT SOURCE ( $T_J > 0^\circ\text{C}$ )

High-voltage Current Source, $V_{CC} = 10\text{ V}$	8	IC1	4.3	7.0	9.6	mA
High-voltage Current Source, $V_{CC} = 0$	8	IC2	-	8.0	-	mA

## DRIVE OUTPUT

Output Voltage Rise-time @ $CL = 1.0\text{ nF}$ , 10-90% of Output Signal	5	$T_r$	-	40	-	ns
Output Voltage Fall-time @ $CL = 1.0\text{ nF}$ , 10-90% of Output Signal	5	$T_f$	-	20	-	ns
Source Resistance	5	$R_{\text{OH}}$	12	20	36	$\Omega$
Sink Resistance	5	$R_{\text{OL}}$	5.0	10	19	$\Omega$

## CURRENT COMPARATOR (Pin 5 Unloaded)

Input Bias Current @ 1.0 V Input Level on Pin 3	3	$I_{\text{IB}}$	-	0.02	-	$\mu\text{A}$
Maximum Internal Current Setpoint	3	$I_{\text{Limit}}$	0.92	1.0	1.12	V
Propagation Delay from Current Detection to Gate OFF State	3	$T_{\text{DEL}}$	-	100	160	ns
Leading Edge Blanking Duration	3	$T_{\text{LEB}}$	-	380	-	ns
Internal Current Offset Injected on the CS Pin during OFF Time	3	$I_{\text{skip}}$	-	200	-	$\mu\text{A}$

## OVERVOLTAGE SECTION ( $V_{CC} = 11\text{ V}$ )

Sampling Delay after ON Time	NCP1207A NCP1207B	1	$T_{\text{sample}}$	-	4.5 1.5	-	$\mu\text{s}$
OVP Internal Reference Level		1	$V_{\text{ref}}$	6.4	7.2	8.0	V

## FEEDBACK SECTION ( $V_{CC} = 11\text{ V}$ , Pin 5 Loaded by 1.0 k $\Omega$ )

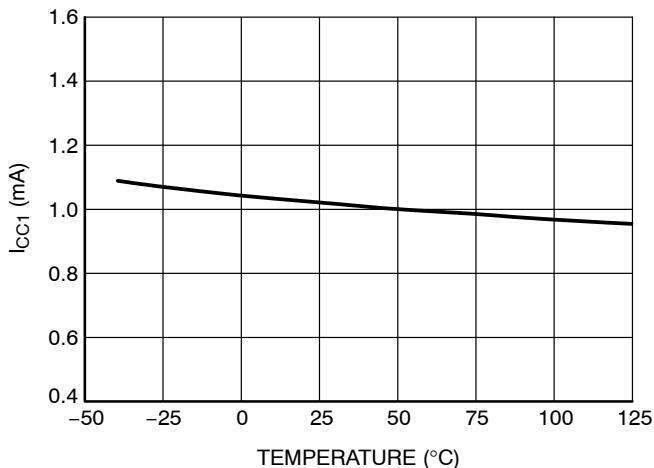
Internal Pull-up Resistor	2	$R_{\text{up}}$	-	20	-	k $\Omega$
Pin 3 to Current Setpoint Division Ratio	-	$I_{\text{ratio}}$	-	3.3	-	-
Internal Soft-start	-	$T_{\text{ss}}$	-	1.0	-	ms

## DEMAGNETIZATION DETECTION BLOCK

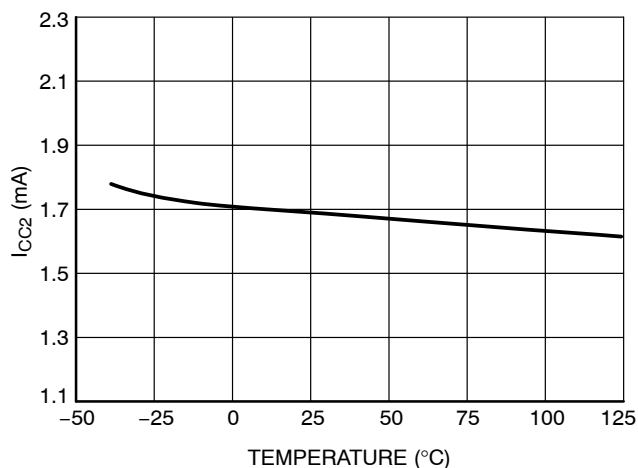
Input Threshold Voltage (Vpin 1 Decreasing)	1	$V_{\text{th}}$	35	50	90	mV	
Hysteresis (Vpin 1 Decreasing)	1	$V_{\text{H}}$	-	20	-	mV	
Input Clamp Voltage	High State ( $I_{\text{pin 1}} = 3.0\text{ mA}$ )	1	$V_{\text{CH}}$	8.0	10	12	V
	Low State ( $I_{\text{pin 1}} = -2.0\text{ mA}$ )	1	$V_{\text{CL}}$	-0.9	-0.7	-0.5	V
Demag Propagation Delay	1	$T_{\text{dem}}$	-	210	-	ns	
Internal Input Capacitance at Vpin 1 = 1.0 V	1	$C_{\text{par}}$	-	10	-	pF	
Minimum $T_{\text{OFF}}$ (Internal Blanking Delay after $T_{\text{ON}}$ )	NCP1207A NCP1207B	1	$T_{\text{blank}}$	- 3.5	8.0 4.5	- 5.5	$\mu\text{s}$
Timeout After Last Demag Transition	1	$T_{\text{out}}$	-	5.0	-	$\mu\text{s}$	
Pin 1 Internal Impedance	1	$R_{\text{int}}$	-	28	-	k $\Omega$	

1. Max value at  $T_J = 0^\circ\text{C}$ .

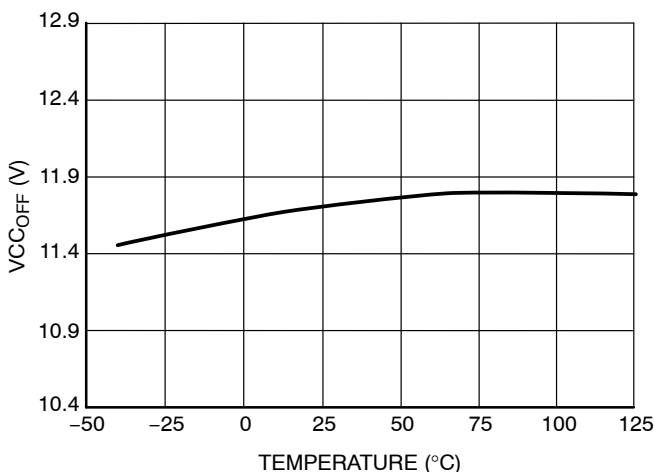
# NCP1207A, NCP1207B



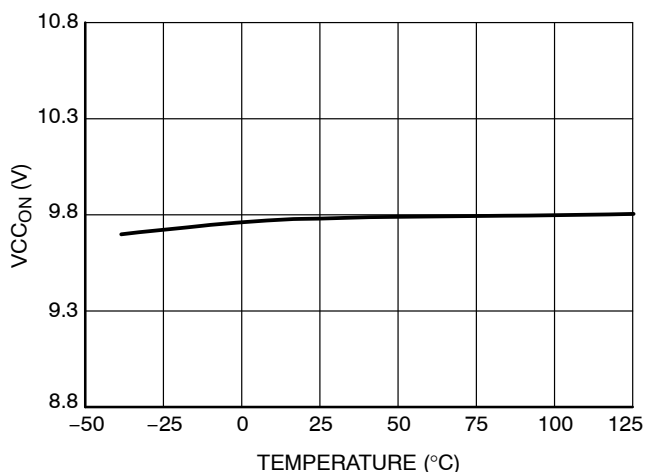
**Figure 3. Internal IC Consumption (No Output Load) versus Temperature**



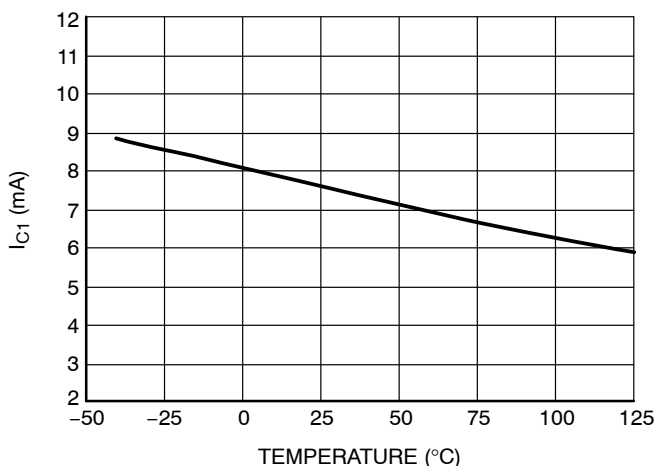
**Figure 4. Internal IC Consumption (1.0 nF Output Load) versus Temperature**



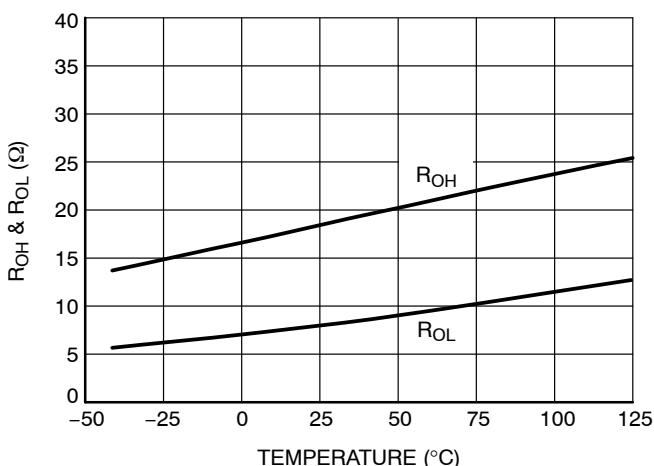
**Figure 5. VCC Increasing Level at which the Current Source Turns-Off versus Temperature**



**Figure 6. VCC Decreasing Level at which the Current Source Turns-On versus Temperature**

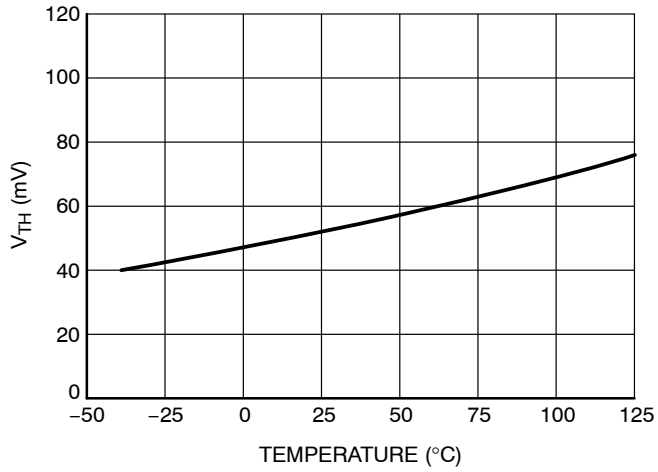


**Figure 7. Internal Startup Current Source at V<sub>CC</sub> = 10 V versus Temperature**

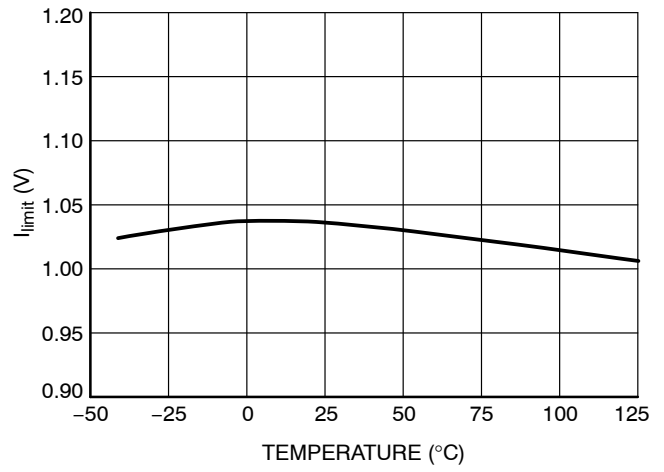


**Figure 8. Source and Sink Resistance versus Temperature**

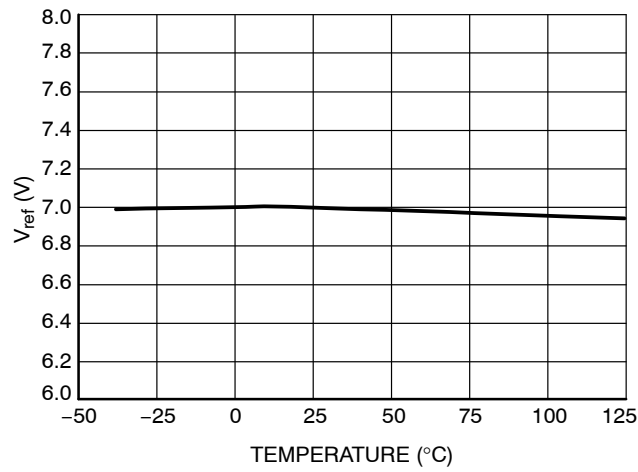
# NCP1207A, NCP1207B



**Figure 9. Input Voltage (Vpin1 Decreasing) versus Temperature**



**Figure 10. Maximum Internal Current Setpoint versus Temperature**



**Figure 11. OVP internal Reference Level versus Temperature**

## APPLICATION INFORMATION

### Introduction

The NCP1207A/B implements a standard current mode architecture where the switch-off time is dictated by the peak current setpoint whereas the core reset detection triggers the turn-on event. This component represents the ideal candidate where low part-count is the key parameter, particularly in low-cost AC/DC adapters, consumer electronics, auxiliary supplies, etc. Due to its high-performance High-Voltage technology, the NCP1207A/B incorporates all the necessary components / features needed to build a rugged and reliable Switch-Mode Power Supply (SMPS):

- **Transformer core reset detection:** borderline / critical operation is ensured whatever the operating conditions are. As a result, there are virtually no primary switch turn-on losses and no secondary diode recovery losses. The converter also stays a first-order system and accordingly eases the feedback loop design.
- **Quasi-resonant operation:** by delaying the turn-on event, it is possible to re-start the MOSFET in the minimum of the drain-source wave, ensuring reduced EMI / video noise perturbations. In nominal power conditions, the NCP1207A/B operates in Borderline Conduction Mode (BCM) also called Critical Conduction Mode.
- **Dynamic Self-Supply (DSS):** due to its Very High Voltage Integrated Circuit (VHVIC) technology, ON Semiconductor's NCP1207A/B allows for a direct pin connection to the high-voltage DC rail. A dynamic current source charges up a capacitor and thus provides a fully independent  $V_{CC}$  level to the NCP1207A/B. As a result, there is no need for an auxiliary winding whose management is always a problem in variable output voltage designs (e.g. battery chargers).
- **Overvoltage Protection (OVP):** by sampling the plateau voltage on the demagnetization winding, the NCP1207A/B goes into latched fault condition whenever an over-voltage condition is detected. The controller stays fully latched in this position until the  $V_{CC}$  is cycled down 4.0 V, e.g. when the user un-plugs the power supply from the mains outlet and re-plugs it.
- **External latch trip point:** by externally forcing a level on the OVP greater than the internal setpoint, it is possible to latchoff the IC, e.g. with a signal coming from a temperature sensor.
- **Adjustable skip cycle level:** by offering the ability to tailor the level at which the skip cycle takes place, the designer can make sure that the skip operation only

occurs at low peak current. This point guarantees a noise-free operation with cheap transformer. This option also offers the ability to fix the maximum switching frequency when entering light load conditions.

- **Overcurrent Protection (OCP):** by continuously monitoring the FB line activity, NCP1207A/B enters burst mode as soon as the power supply undergoes an overload. The device enters a safe low power operation which prevents from any lethal thermal runaway. As soon as the default disappears, the power supply resumes operation. Unlike other controllers, overload detection is performed independently of any auxiliary winding level. In presence of a bad coupling between both power and auxiliary windings, the short circuit detection can be severely affected. The DSS naturally shields you against these troubles.

### Dynamic Self-Supply

The DSS principle is based on the charge/discharge of the  $V_{CC}$  bulk capacitor from a low level up to a higher level. We can easily describe the current source operation with some simple logical equations:

POWER-ON: IF  $V_{CC} < V_{CCOFF}$  THEN Current Source is ON, no output pulses

IF  $V_{CC}$  decreasing  $> V_{CCON}$  THEN Current Source is OFF, output is pulsing

IF  $V_{CC}$  increasing  $< V_{CCOFF}$  THEN Current Source is ON, output is pulsing

Typical values are:  $V_{CCOFF} = 12\text{ V}$ ,  $V_{CCON} = 10\text{ V}$

To better understand the operational principle, Figure 12's sketch offers the necessary light.

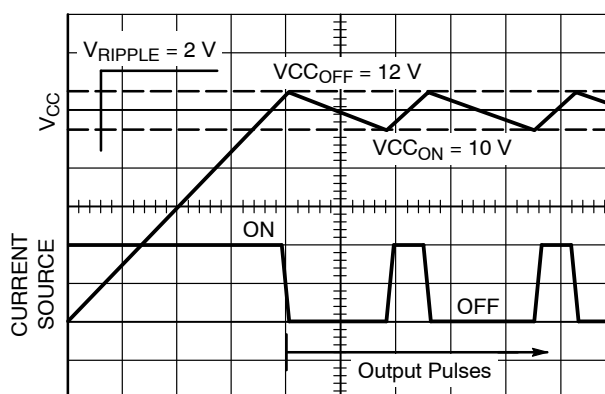


Figure 12. The Charge/Discharge Cycle Over a 10  $\mu\text{F}$   $V_{CC}$  Capacitor

## NCP1207A, NCP1207B

The DSS behavior actually depends on the internal IC consumption and the MOSFET's gate charge  $Q_g$ . If we select a MOSFET like the MTP2N60E,  $Q_g$  equals 22 nC (max). With a maximum switching frequency selected at 75 kHz, the average power necessary to drive the MOSFET (excluding the driver efficiency and neglecting various voltage drops) is:

$F_{sw} \cdot Q_g \cdot V_{CC}$  with:

$F_{sw}$  = maximum switching frequency

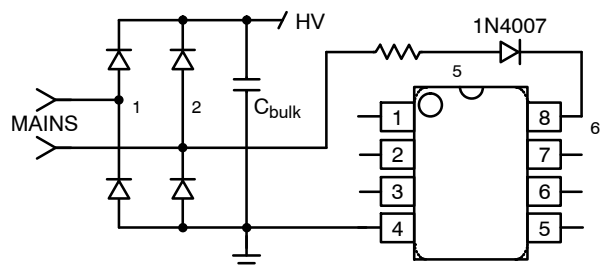
$Q_g$  = MOSFET's gate charge

$V_{CC}$  =  $V_{GS}$  level applied to the gate

To obtain the output current, simply divide this result by  $V_{CC}$ :  $I_{driver} = F_{sw} \cdot Q_g = 1.6$  mA. The total standby power consumption at no-load will therefore heavily rely on the internal IC consumption plus the above driving current (altered by the driver's efficiency). Suppose that the IC is supplied from a 350 VDC line. The current flowing through pin 8 is a direct image of the NCP1207A/B consumption (neglecting the switching losses of the HV current source). If  $I_{CC2}$  equals 2.3 mA @  $T_j = 60^\circ\text{C}$ , then the power dissipated (lost) by the IC is simply:  $350\text{ V} \times 2.3\text{ mA} = 805\text{ mW}$ . For design and reliability reasons, it would be interested to reduce this source of wasted power that increase the die temperature. This can be achieved by using different methods:

1. Use a MOSFET with lower gate charge  $Q_g$ .
2. Connect pin 8 through a diode (1N4007 typically) to one of the mains input. The average value on pin 8

becomes  $\frac{V_{mainsPEAK} \cdot 2}{\pi}$ . Our power contribution example drops to:  $223\text{ V} \times 2.3\text{ mA} = 512\text{ mW}$ . If a resistor is installed between the mains and the diode, you further force the dissipation to migrate from the package to the resistor. The resistor value should account for low-line startups.



**Figure 13. A simple diode naturally reduces the average voltage on Pin 8**

When using Figure 13 option, it is important to check the absence of any negative ringing that could occur on pin 8. The resistor in series should help to damp any parasitic LC network that would ring when suddenly applying the power to the IC. Also, since the power disappears during 10 ms (half-wave rectification),  $CV_{CC}$  should be calculated to supply the IC during these holes in the supply

3. Permanently force the  $V_{CC}$  level above  $V_{CCH}$  with an auxiliary winding. It will automatically disconnect the internal startup source and the IC will be fully self-supplied from this winding. Again, the total power drawn from the mains will significantly decrease. Make sure the auxiliary voltage never exceeds the 16 V limit.

### Skipping Cycle Mode

The NCP1207A/B automatically skips switching cycles when the output power demand drops below a given level. This is accomplished by monitoring the FB pin. In normal operation, Pin 2 imposes a peak current accordingly to the load value. If the load demand decreases, the internal loop asks for less peak current. When this setpoint reaches a determined level, the IC prevents the current from decreasing further down and starts to blank the output pulses: the IC enters the so-called skip cycle mode, also named controlled burst operation. The power transfer now depends upon the width of the pulse bunches (Figure 14) and follows the following formula:

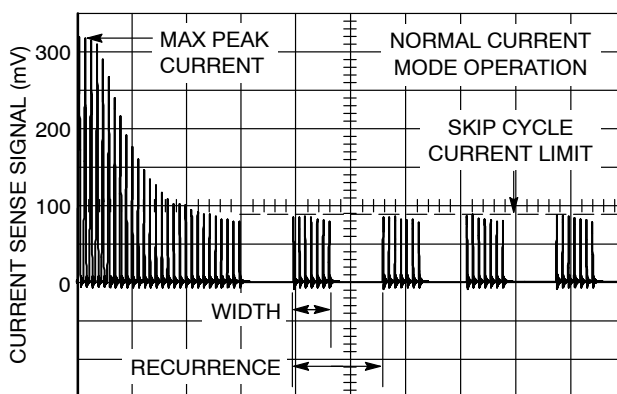
$$\frac{1}{2} \cdot L_p \cdot I_p^2 \cdot F_{sw} \cdot D_{burst} \text{ with:}$$

$L_p$  = primary inductance

$F_{sw}$  = switching frequency within the burst

$I_p$  = peak current at which skip cycle occurs

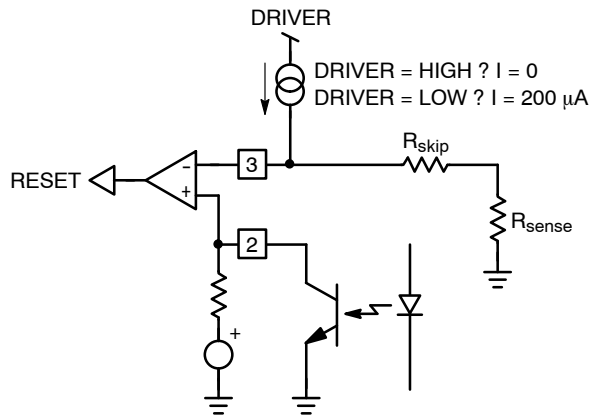
$D_{burst}$  = burst width / burst recurrence



**Figure 14. The skip cycle takes place at low peak currents which guaranties noise free operation**



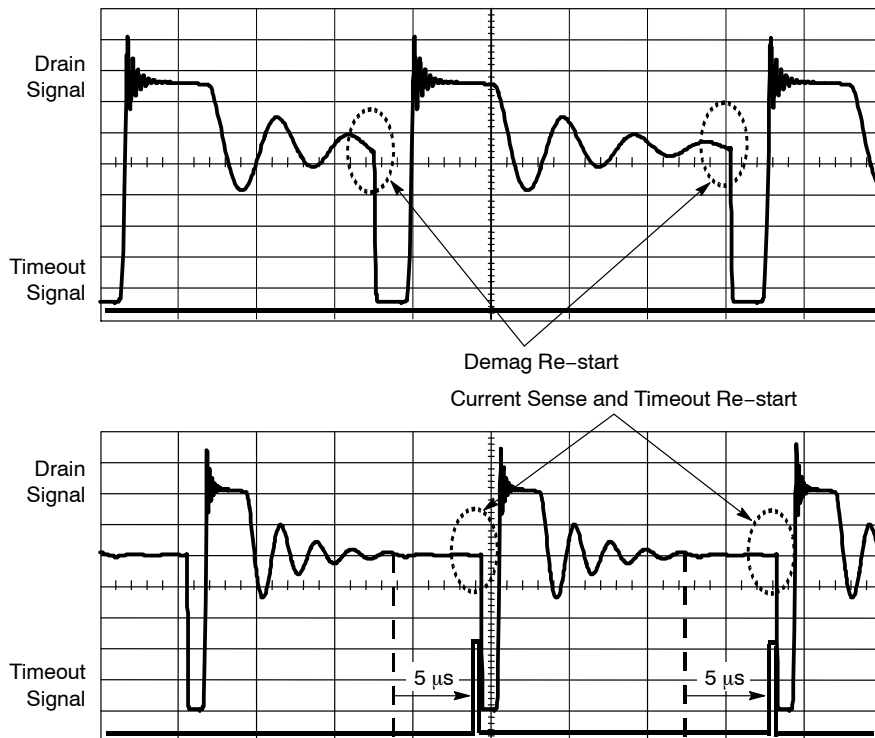
## NCP1207A, NCP1207B



**Figure 15. A patented method allows for skip level selection via a series resistor inserted in series with the current**

The skip level selection is done through a simple resistor inserted between the current sense input and the sense element. Every time the NCP1207A/B output driver goes low, a 200  $\mu\text{A}$  source forces a current to flow through the sense pin (Figure 15): when the driver is high, the current source is off and the current sense information is normally processed. As soon as the driver goes low, the current source delivers 200  $\mu\text{A}$  and develops a ground referenced voltage across  $R_{\text{skip}}$ . If this voltage is below the feedback voltage, the current sense comparator stays in the high state and the internal latch can be triggered by the next clock cycle. Now, if because of a low load mode the feedback voltage is below  $R_{\text{skip}}$  level, then the

current sense comparator permanently resets the latch and the next clock cycle (given by the demagnetization detection) is ignored: we are skipping cycles as shown by Figure 16. As soon as the feedback voltage goes up again, there can be two situations: the recurrent period is small and a new demagnetization detection (next wave) signal triggers the NCP1207A/B. To the opposite, in low output power conditions, no more ringing waves are present on the drain and the toggling of the current sense comparator together with the internal 5  $\mu\text{s}$  timeout initiates a new cycle start. In normal operating conditions, e.g. when the drain oscillations are generous, the demagnetization comparator can detect the 50 mV crossing and gives the “green light”, alone, to re-activate the power switch. However, when skip cycle takes place (e.g. at low output power demands), the re-start event slides along the drain ringing waveforms (actually the valley locations) which decays more or less quickly, depending on the  $L_{\text{primary}}-C_{\text{parasitic}}$  network damping factor. The situation can thus quickly occur where the ringing becomes too weak to be detected by the demagnetization comparator: it then permanently stays locked in a given position and can no longer deliver the “green light” to the controller. To help in this situation, the NCP1207A/B implements a 5  $\mu\text{s}$  timeout generator: each time the 50 mV crossing occurs, the timeout is reset. So, as long as the ringing becomes too low, the timeout generator starts to count and after 5  $\mu\text{s}$ , it delivers its “green light”. If the skip signal is already present then the controller re-starts; otherwise the logic waits for it to set the drive output high. Figure 16 depicts these two different situations:



**Figure 16. When the primary natural ringing becomes too low, the internal timeout together with the sense comparator initiates a new cycle when FB passes the skip level.**

An optocoupler is generally used to transfer the feedback information to the FB pin while providing the necessary isolation. It introduces a limitation in how low the skip level can be adjusted since an optocoupler cannot pull the FB voltage below its  $V_{ce(sat)}$ , which is usually around 150 mV. Therefore, in order to take into account temperature and process variations, it is not recommended to set up the skip level below 250 mV, which corresponds to a minimum resistor  $R_{skip}$  of 420  $\Omega$ . The 150 mV is a much lower level than what will usually be used (it sets the peak current when entering skip mode at 5% of the maximum peak current). If anyway a lower skip threshold is needed, care must be taken to select an optocoupler with a  $V_{ce(sat)}$  guaranteed to be below the chosen skip level with enough margin.

## Demagnetization Detection

The core reset detection is done by monitoring the voltage activity on the auxiliary winding. This voltage features a FLYBACK polarity. The typical detection level is fixed at 50 mV as exemplified by Figure 17.

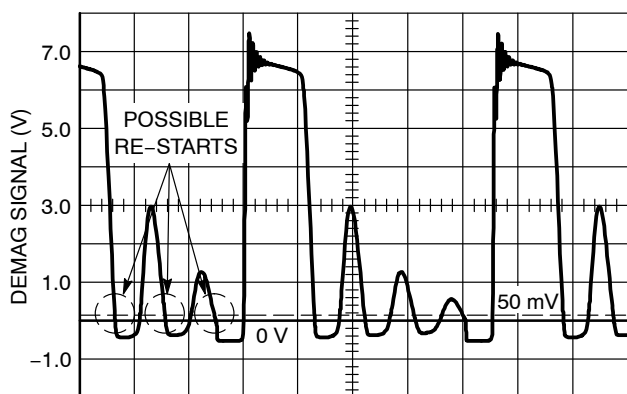


Figure 17. Core reset detection is done through a dedicated auxiliary winding monitoring

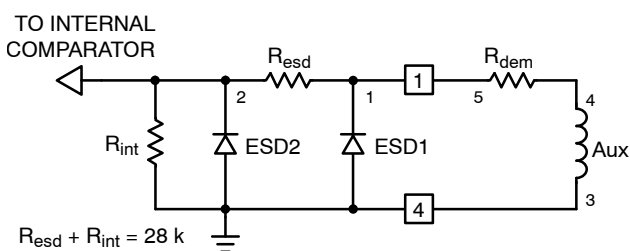


Figure 18. Internal Pad Implementation

An internal timer prevents any re-start within 8.0  $\mu s$  (NCP1207A) or 4.5  $\mu s$  (NCP1207B) further to the driver going-low transition. This prevents the switching frequency to exceed  $(1 / (T_{ON} + 8.0 \mu s))$  or  $(1 / (T_{ON} + 4.5 \mu s))$  but also avoid false leakage inductance tripping at turn-off. In some cases, the leakage inductance kick is so energetic, that a slight filtering is necessary.

The NCP1207A/B demagnetization detection pad features a specific component arrangement as detailed by Figure 18. In this picture, the zener diodes network protect the IC against

any potential ESD discharge that could appear on the pins. The first ESD diode connected to the pad, exhibits a parasitic capacitance. When this parasitic capacitance (10 pF typically) is combined with  $R_{dem}$ , a re-start delay is created and the possibility to switch right in the drain-source wave exists. This guarantees QR operation with all the associated benefits (low EMI, no turn-on losses etc.).  $R_{dem}$  should be calculated to limit the maximum current flowing through pin 1 to less than +3 mA/-2 mA. If during turn-on, the auxiliary winding delivers 30 V (at the highest line level), then the minimum  $R_{dem}$  value is defined by:  $(30 V + 0.7 V) / 2 mA = 14.6 k\Omega$ . This value will be further increased to introduce a re-start delay and also a slight filtering in case of high leakage energy.

Figure 19 portrays a typical  $V_{DS}$  shot at nominal output power.

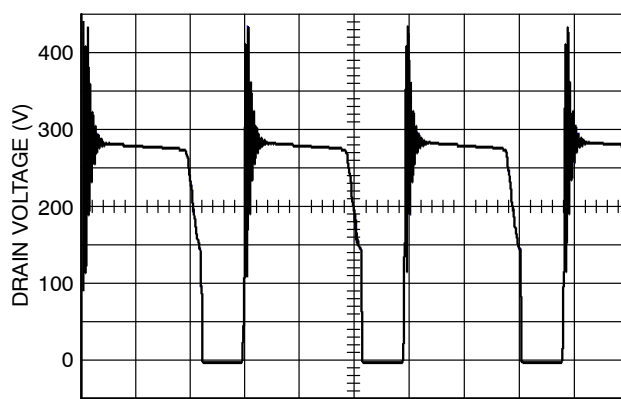
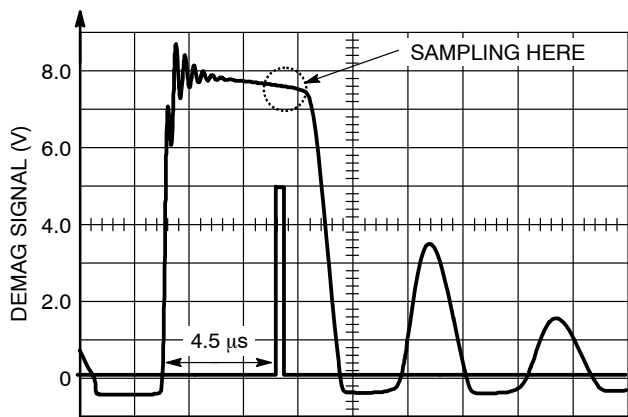


Figure 19. The NCP1207A Operates in Borderline / Critical Operation

## Overvoltage Protection

The overvoltage protection works by sampling the plateau voltage 4.5  $\mu s$  (NCP1207A) or 1.5  $\mu s$  (NCP1207B) after the turn-off sequence. This delay guarantees a clean plateau, providing that the leakage inductance ringing has been fully damped. If this would not be the case, the designer should install a small RC damper across the transformer primary inductance connections. Figure 20 shows where the sampling occurs on the auxiliary winding.

## NCP1207A, NCP1207B



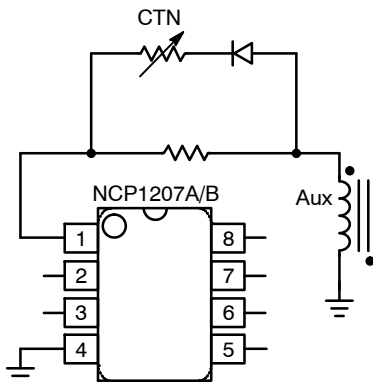
**Figure 20. A voltage sample is taken 4.5 μs after the turn-off sequence**

When an OVP condition has been detected, the NCP1207A/B enters a latching phase and stops all switching operations. The controller stays fully latched in this position and the DSS is still active, keeping the  $V_{CC}$  between 5.3 V/12 V as in normal operations. This state lasts until the  $V_{CC}$  is cycled down 4 V, e.g. when the user unplugs the power supply from the mains outlet.

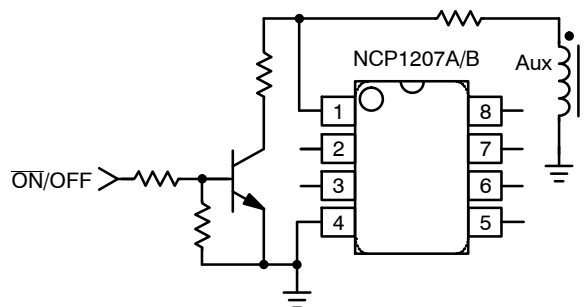
By default, the OVP comparator is biased to a 5.0 V reference level and pin1 is routed via a divide by 1.44 network. As a result, when  $V_{pin 1}$  reaches 7.2 V, the OVP comparator is triggered. The threshold can thus be adjusted by either modifying the power winding to auxiliary winding turn ratios to match this 7.2 V level, or insert a resistor from Pin 1 to ground to cope with your design requirement.

### Latching Off the NCP1207A/B

In certain cases, it can be very convenient to externally shut down permanently the NCP1207A/B via a dedicated signal, e.g. coming from a temperature sensor. The reset occurs when the user unplugs the power supply from the mains outlet. To trigger the latching, a CTN (Figure 21) or a simple NPN transistor (Figure 22) can do the work.



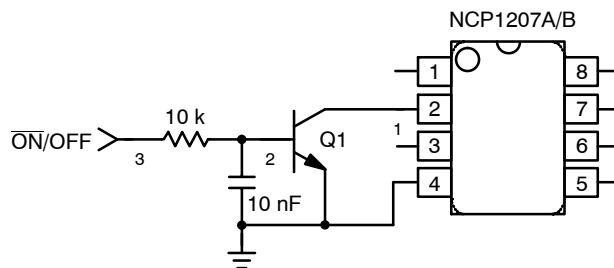
**Figure 21. A simple CTN triggers the latching as soon as the temperature exceeds a given setpoint**



**Figure 22. A simple transistor arrangement allows to trigger the latching by an external signal**

### Shutting Off the NCP1207A/B

Shutdown can easily be implemented through a simple NPN bipolar transistor as depicted by Figure 23. When OFF, Q1 is transparent to the operation. When forward biased, the transistor pulls the FB pin to ground ( $V_{CE(sat)} \approx 200$  mV) and permanently disables the IC. A small time constant on the transistor base will avoid false triggering (Figure 23).



**Figure 23. A simple bipolar transistor totally disables the IC**

### Power Dissipation

The NCP1207A/B is directly supplied from the DC rail through the internal DSS circuitry. The DSS being an auto-adaptive circuit (e.g. the ON/OFF duty-cycle adjusts itself depending on the current demand), the current flowing through the DSS is therefore the direct image of the NCP1207A/B current consumption. The total power dissipation can be evaluated using:  $(V_{HVDC} - 11 \text{ V}) \cdot I_{CC2}$ . If we operate the device on a 250 Vac rail, the maximum rectified voltage can go up to 350 Vdc. As a result, the worse case dissipation occurs at the maximum switching frequency and the highest line. The dissipation is actually given by the internal consumption of the NCP1207A/B when driving the selected MOSFET. The best method to evaluate this total consumption is probably to run the final circuit from a 50 Vdc source applied to pin 8 and measure the average current flowing into this pin. Suppose that we find 2.0 mA, meaning that the DSS duty-cycle will be  $2.0/7.0 = 28.6\%$ . From the 350 Vdc rail, the part will dissipate:  $350 \text{ V} \cdot 2.0 \text{ mA} = 700 \text{ mW}$  (however this 2.0 mA number

will drop at higher operating junction temperatures). A DIP8 package offers a junction-to-ambient thermal resistance  $R_{\theta JA}$  of 100°C/W. The maximum power dissipation can thus be computed knowing the maximum operating ambient temperature (e.g. 70°C) together with the maximum allowable junction temperature (125°C):

$$P_{\max} = \frac{T_{j\max} - T_{A\max}}{R_{\theta JA}} < 550 \text{ mW.}$$

As we can see, we do not reach the worst consumption budget imposed by the operating conditions. Several solutions exist to cure this trouble:

- The first one consists in adding some copper area around the NCP1207A DIP8 footprint. By adding a min pad area of 80 mm<sup>2</sup> of 35 μm copper (1 oz.),  $R_{\theta JA}$  drops to about 75°C/W. Maximum power then grows up to 730 mW.
- A resistor  $R_{\text{drop}}$  needs to be inserted with pin 8 to a) avoid negative spikes at turn-off (see below)

b) split the power budget between this resistor and the package. The resistor is calculated by leaving at least 50 V on pin 8 at minimum input voltage (suppose 100 Vdc in our case):

$$R_{\text{drop}} \leq \frac{V_{\text{bulkmin}} - 50 \text{ V}}{7.0 \text{ mA}} < 7.1 \text{ k}\Omega.$$

The power dissipated by the resistor is thus:

$$\begin{aligned} P_{\text{drop}} &= V_{\text{dropRMS}}^2 / R_{\text{drop}} \\ &= \frac{(I_{\text{DSS}} \cdot R_{\text{drop}} \cdot \sqrt{\text{DSSduty-cycle}})^2}{R_{\text{drop}}} \\ &= \frac{(7.0 \text{ mA} \cdot 7.1 \text{ k}\Omega \cdot \sqrt{0.286})^2}{7.1 \text{ k}\Omega} = 99.5 \text{ mW} \end{aligned}$$

Please refer to the application note AND8069 available from [www.onsemi.com/pub/ncp1200](http://www.onsemi.com/pub/ncp1200).

- If the power consumption budget is really too high for the DSS alone, connect a diode between the auxiliary winding and the  $V_{CC}$  pin which will disable the DSS operation ( $V_{CC} > 10 \text{ V}$ ).

The SOIC package offers a 178°C/W thermal resistor. Again, adding some copper area around the PCB footprint will help decrease this number: 12 mm × 12 mm to drop  $R_{\theta JA}$  down to 100°C/W with 35 μm copper thickness (1 oz) or 6.5 mm × 6.5 mm with 70 μm copper thickness (2 oz).

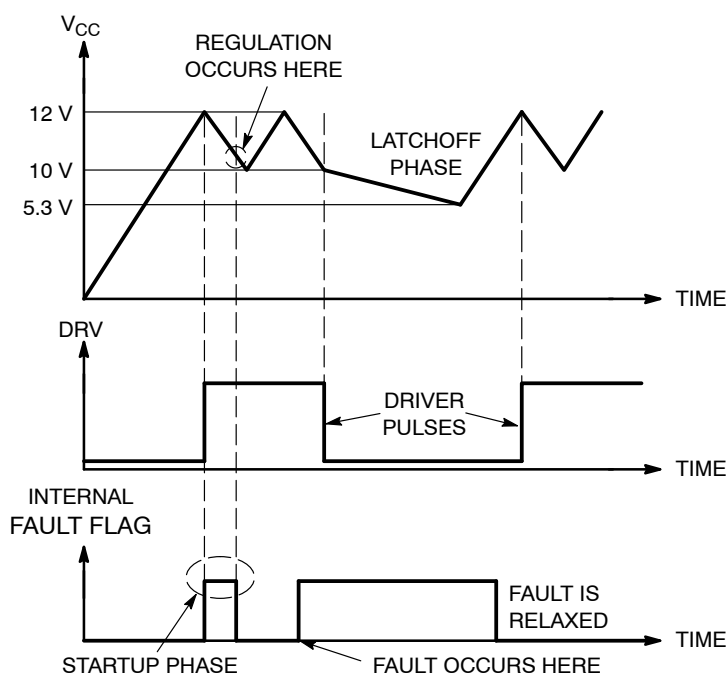
As one can see, we do not recommend using the SO-8 package and the DSS if the part operates at high switching frequencies. In that case, an auxiliary winding is the best solution.

## Overload Operation

In applications where the output current is purposely not controlled (e.g. wall adapters delivering raw DC level), it is interesting to implement a true short-circuit protection. A short-circuit actually forces the output voltage to be at a low level, preventing a bias current to circulate in the Optocoupler LED. As a result, the FB pin level is pulled up to 4.2 V, as internally imposed by the IC. The peak current setpoint goes to the maximum and the supply delivers a rather high power with all the associated effects. Please note that this can also happen in case of feedback loss, e.g. a broken Optocoupler. To account for this situation, NCP1207A hosts a dedicated overload detection circuitry. Once activated, this circuitry imposes to deliver pulses in a burst manner with a low duty-cycle. The system recovers when the fault condition disappears.

During the startup phase, the peak current is pushed to the maximum until the output voltage reaches its target and the feedback loop takes over. This period of time depends on normal output load conditions and the maximum peak current allowed by the system. The time-out used by this IC works with the  $V_{CC}$  decoupling capacitor: as soon as the  $V_{CC}$  decreases from the  $V_{CC\text{OFF}}$  level (typically 12 V) the device internally watches for an overload current situation. If this condition is still present when the  $V_{CC\text{ON}}$  level is reached, the controller stops the driving pulses, prevents the self-supply current source to restart and puts all the circuitry in standby, consuming as little as 330 μA typical ( $I_{CC3}$  parameter). As a result, the  $V_{CC}$  level slowly discharges toward 0. When this level crosses 5.3 V typical, the controller enters a new startup phase by turning the current source on:  $V_{CC}$  rises toward 12 V and again delivers output pulses at the  $V_{CC\text{OFF}}$  crossing point. If the fault condition has been removed before  $V_{CC\text{ON}}$  approaches, then the IC continues its normal operation. Otherwise, a new fault cycle takes place. Figure 24 shows the evolution of the signals in presence of a fault.

## NCP1207A, NCP1207B



If the fault is relaxed during the  $V_{CC}$  natural fall down sequence, the IC automatically resumes. If the fault still persists when  $V_{CC}$  reached  $V_{CC_{ON}}$ , then the controller cuts everything off until recovery.

Figure 24.

### Soft-Start

The NCP1207A/B features an internal 1 ms soft-start to soften the constraints occurring in the power supply during startup. It is activated during the power on sequence. As soon as  $V_{CC}$  reaches  $V_{CC_{OFF}}$ , the peak current is gradually increased from nearly zero up to the maximum clamping level (e.g. 1.0 V). The soft-start is also activated during the overcurrent burst (OCP) sequence. Every restart attempt is followed by a soft-start activation. Generally speaking, the soft-start will be activated when  $V_{CC}$  ramps up either from zero (fresh power-on sequence) or 5.3 V, the latching voltage occurring during OCP.

### Calculating the VCC Capacitor

As the above section describes, the fall down sequence depends upon the  $V_{CC}$  level: how long does it take for the  $V_{CC}$  line to go from 12 V to 10 V? The required time depends on the startup sequence of your system, i.e. when you first apply the power to the IC. The corresponding transient fault duration due to the output capacitor charging must be less than the time needed to discharge from 12 V to 10 V, otherwise the supply will not properly start. The test consists in either simulating or measuring in the lab how much time the system takes to reach the regulation at full load. Let's suppose that this time corresponds to 6.0 ms. Therefore a  $V_{CC}$  fall time of 10 ms could be well appropriated in order to not trigger the overload detection circuitry. If the

corresponding IC consumption, including the MOSFET drive, establishes at 1.8 mA (e.g. with an 11 nC MOSFET), we can calculate the required capacitor using the following formula:  $\Delta t = \frac{\Delta V \cdot C}{i}$ , with  $\Delta V = 2.0$  V. Then for a wanted  $\Delta t$  of 10 ms, C equals 9.0  $\mu$ F or 22  $\mu$ F for a standard value. When an overload condition occurs, the IC blocks its internal circuitry and its consumption drops to 330  $\mu$ A typical. This happens at  $V_{CC} = 10$  V and it remains stuck until  $V_{CC}$  reaches 5.3 V: we are in latching phase. Again, using the calculated 22  $\mu$ F and 330  $\mu$ A current consumption, this latching phase lasts: 313 ms.

### HV Pin Recommended Protection

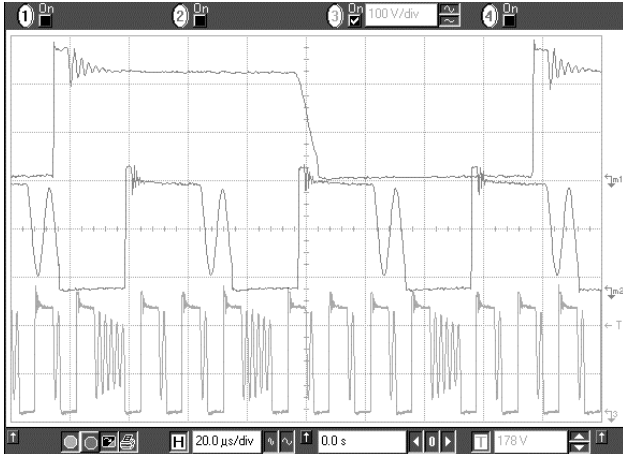
When the user unplugs a power supply built with a QR controller such as the NCP1207A/B, one instance can occur:

A negative ringing can take place on pin8 due to a resonance between the primary inductance and the bulk capacitor. As any CMOS device, the NCP1207A/B is sensitive to negative voltages that could appear on its pins and could create an internal latch-up condition.

For this reason, we recommend adding a resistor between the bulk capacitor and the  $V_{CC}$  pin.

**Operation Shots**

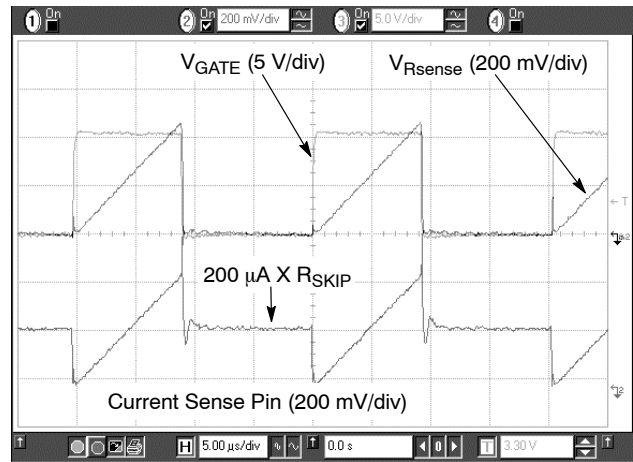
Below are some oscilloscope shots captured at  $V_{in} = 120$  VDC with a transformer featuring a  $800 \mu\text{H}$  primary inductance.



**Figure 25.**

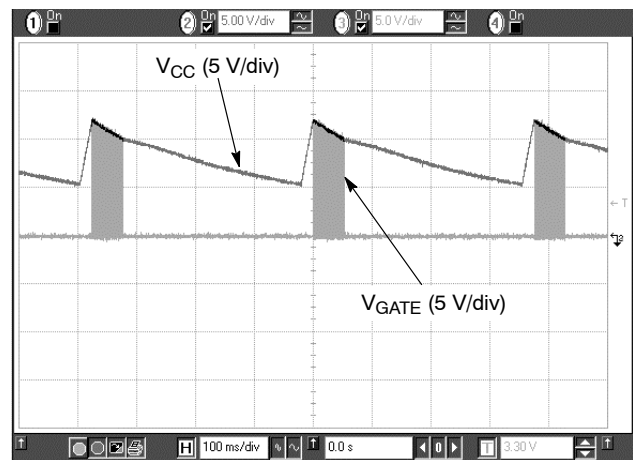
This plot gathers waveforms captured at three different operating points:

- 1<sup>st</sup> upper plot: free run, valley switching operation,  $P_{out} = 26$  W
- 2<sup>nd</sup> middle plot: min  $T_{off}$  clamps the switching frequency and selects the second valley
- 3<sup>rd</sup> lowest plot: the skip slices the second valley pattern and will further expand the burst as  $P_{out}$  goes low



**Figure 26.**

This picture explains how the  $200 \mu\text{A}$  internal offset current creates the skip cycle level.



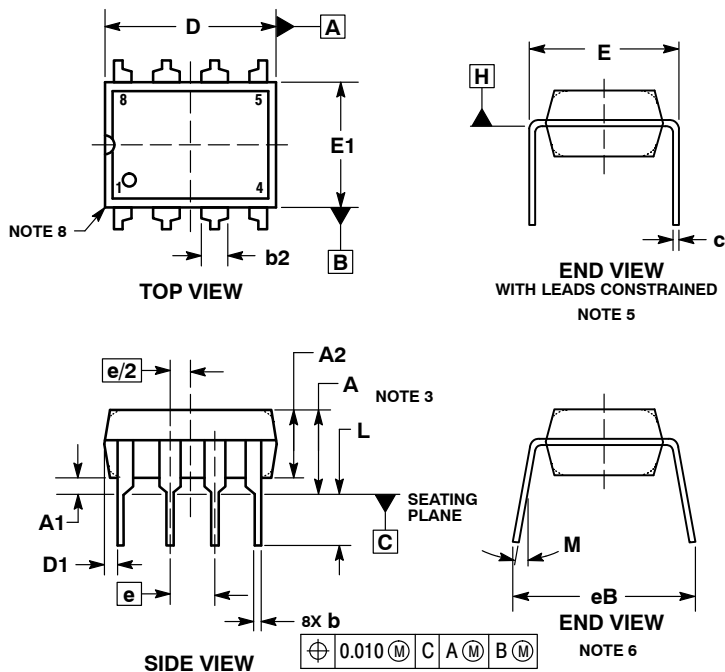
**Figure 27.**

The short-circuit protection forces the IC to enter burst in presence of a secondary overload.

# NCP1207A, NCP1207B

## PACKAGE DIMENSIONS

### 8 LEAD PDIP CASE 626-05 ISSUE N



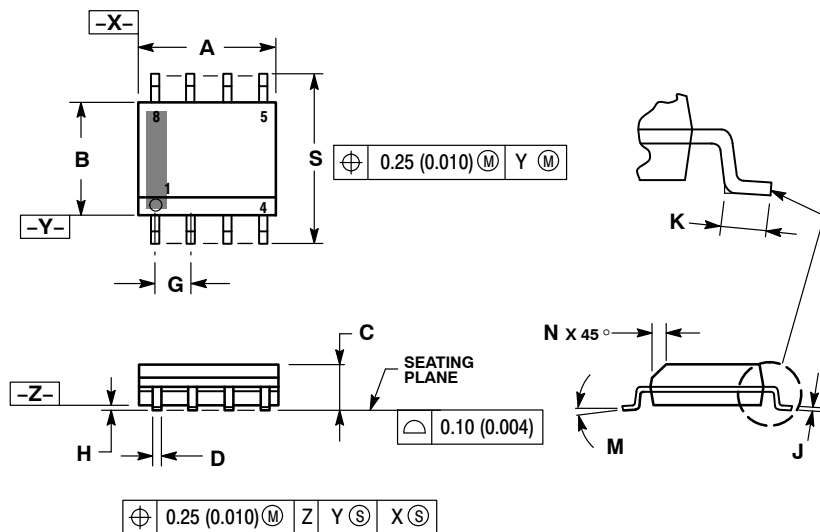
- NOTES:
1. DIMENSIONING AND TOLERANCING PER ASME Y14.5M, 1994.
  2. CONTROLLING DIMENSION: INCHES.
  3. DIMENSIONS A, A1 AND L ARE MEASURED WITH THE PACKAGE SEATED IN JEDEC SEATING PLANE GAUGE GS-3.
  4. DIMENSIONS D, D1 AND E1 DO NOT INCLUDE MOLD FLASH OR PROTRUSIONS. MOLD FLASH OR PROTRUSIONS ARE NOT TO EXCEED 0.10 INCH.
  5. DIMENSION E IS MEASURED AT A POINT 0.015 BELOW DATUM PLANE H WITH THE LEADS CONSTRAINED PERPENDICULAR TO DATUM C.
  6. DIMENSION E3 IS MEASURED AT THE LEAD TIPS WITH THE LEADS UNCONSTRAINED.
  7. DATUM PLANE H IS COINCIDENT WITH THE BOTTOM OF THE LEADS, WHERE THE LEADS EXIT THE BODY.
  8. PACKAGE CONTOUR IS OPTIONAL (ROUNDED OR SQUARE CORNERS).

DIM	INCHES		MILLIMETERS	
	MIN	MAX	MIN	MAX
A	----	0.210	----	5.33
A1	0.015	----	0.38	----
A2	0.115	0.195	2.92	4.95
b	0.014	0.022	0.35	0.56
b2	0.060 TYP		1.52 TYP	
C	0.008	0.014	0.20	0.36
D	0.355	0.400	9.02	10.16
D1	0.005	----	0.13	----
E	0.300	0.325	7.62	8.26
E1	0.240	0.280	6.10	7.11
e	0.100 BSC		2.54 BSC	
eB	----	0.430	----	10.92
L	0.115	0.150	2.92	3.81
M	----	10°	----	10°

# NCP1207A, NCP1207B

## PACKAGE DIMENSIONS

SOIC-8 NB  
CASE 751-07  
ISSUE AK

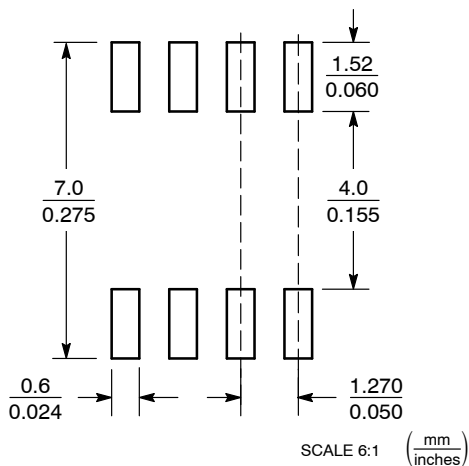


NOTES:

1. DIMENSIONING AND TOLERANCING PER ANSI Y14.5M, 1982.
2. CONTROLLING DIMENSION: MILLIMETER.
3. DIMENSION A AND B DO NOT INCLUDE MOLD PROTRUSION.
4. MAXIMUM MOLD PROTRUSION 0.15 (0.006) PER SIDE.
5. DIMENSION D DOES NOT INCLUDE DAMBAR PROTRUSION. ALLOWABLE DAMBAR PROTRUSION SHALL BE 0.127 (0.005) TOTAL IN EXCESS OF THE D DIMENSION AT MAXIMUM MATERIAL CONDITION.
6. 751-01 THRU 751-06 ARE OBSOLETE. NEW STANDARD IS 751-07.

DIM	MILLIMETERS		INCHES	
	MIN	MAX	MIN	MAX
A	4.80	5.00	0.189	0.197
B	3.80	4.00	0.150	0.157
C	1.35	1.75	0.053	0.069
D	0.33	0.51	0.013	0.020
G	1.27 BSC		0.050 BSC	
H	0.10	0.25	0.004	0.010
J	0.19	0.25	0.007	0.010
K	0.40	1.27	0.016	0.050
M	0°	8°	0°	8°
N	0.25	0.50	0.010	0.020
S	5.80	6.20	0.228	0.244

### SOLDERING FOOTPRINT\*



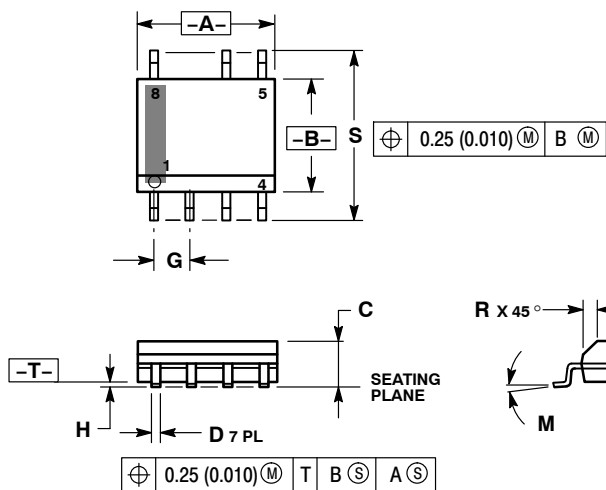
\*For additional information on our Pb-Free strategy and soldering details, please download the ON Semiconductor Soldering and Mounting Techniques Reference Manual, SOLDERRM/D.



# NCP1207A, NCP1207B

## PACKAGE DIMENSIONS

SOIC-7  
CASE 751U  
ISSUE E

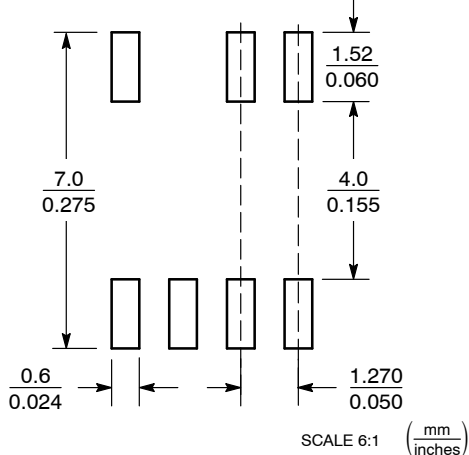


NOTES:

1. DIMENSIONING AND TOLERANCING PER ANSI Y14.5M, 1982.
2. CONTROLLING DIMENSION: MILLIMETER.
3. DIMENSION A AND B ARE DATUMS AND T IS A DATUM SURFACE.
4. DIMENSION A AND B DO NOT INCLUDE MOLD PROTRUSION.
5. MAXIMUM MOLD PROTRUSION 0.15 (0.006) PER SIDE.

DIM	MILLIMETERS		INCHES	
	MIN	MAX	MIN	MAX
A	4.80	5.00	0.189	0.197
B	3.80	4.00	0.150	0.157
C	1.35	1.75	0.053	0.069
D	0.33	0.51	0.013	0.020
G	1.27 BSC		0.050 BSC	
H	0.10	0.25	0.004	0.010
J	0.19	0.25	0.007	0.010
K	0.40	1.27	0.016	0.050
M	0°	8°	0°	8°
N	0.25	0.50	0.010	0.020
S	5.80	6.20	0.228	0.244

### SOLDERING FOOTPRINT\*



\*For additional information on our Pb-Free strategy and soldering details, please download the ON Semiconductor Soldering and Mounting Techniques Reference Manual, SOLDERRM/D.

ON Semiconductor and are registered trademarks of Semiconductor Components Industries, LLC (SCILLC). SCILLC reserves the right to make changes without further notice to any products herein. SCILLC makes no warranty, representation or guarantee regarding the suitability of its products for any particular purpose, nor does SCILLC assume any liability arising out of the application or use of any product or circuit, and specifically disclaims any and all liability, including without limitation special, consequential or incidental damages. "Typical" parameters which may be provided in SCILLC data sheets and/or specifications can and do vary in different applications and actual performance may vary over time. All operating parameters, including "Typicals" must be validated for each customer application by customer's technical experts. SCILLC does not convey any license under its patent rights nor the rights of others. SCILLC products are not designed, intended, or authorized for use as components in systems intended for surgical implant into the body, or other applications intended to support or sustain life, or for any other application in which the failure of the SCILLC product could create a situation where personal injury or death may occur. Should Buyer purchase or use SCILLC products for any such unintended or unauthorized application, Buyer shall indemnify and hold SCILLC and its officers, employees, subsidiaries, affiliates, and distributors harmless against all claims, costs, damages, and expenses, and reasonable attorney fees arising out of, directly or indirectly, any claim of personal injury or death associated with such unintended or unauthorized use, even if such claim alleges that SCILLC was negligent regarding the design or manufacture of the part. SCILLC is an Equal Opportunity/Affirmative Action Employer. This literature is subject to all applicable copyright laws and is not for resale in any manner.

### PUBLICATION ORDERING INFORMATION

**LITERATURE FULFILLMENT:**  
Literature Distribution Center for ON Semiconductor  
P.O. Box 5163, Denver, Colorado 80217 USA  
**Phone:** 303-675-2175 or 800-344-3860 Toll Free USA/Canada  
**Fax:** 303-675-2176 or 800-344-3867 Toll Free USA/Canada  
**Email:** orderlit@onsemi.com

**N. American Technical Support:** 800-282-9855 Toll Free USA/Canada  
**Europe, Middle East and Africa Technical Support:**  
Phone: 421 33 790 2910  
**Japan Customer Focus Center**  
Phone: 81-3-5817-1050

**ON Semiconductor Website:** [www.onsemi.com](http://www.onsemi.com)  
**Order Literature:** <http://www.onsemi.com/orderlit>

For additional information, please contact your local Sales Representative