

# NLAS4157

## SPDT, 1 $\Omega$ $R_{ON}$ Switch

The NLAS4157 is a low  $R_{ON}$  SPDT analog switch. This device is designed for low operating voltage, high current switching of speaker output for cell phone applications. It can switch a balanced stereo output. The NLAS4157 can handle a balanced microphone/speaker/ringtone generator in a monophone mode. The device contains a break-before-make (BBM) feature.

### Features

- Single Supply Operation:
  - 1.65 V to 5.5 V  $V_{CC}$
  - Function Directly from LiON Battery
- Tiny SC88 6-Pin Pb-Free Package:
  - Meets JEDEC MO-220 Specifications
- $R_{ON}$  Typical = 0.8  $\Omega$  @  $V_{CC} = 4.5$  V
- Low Static Power
- This is a Pb-Free Device

### Typical Applications

- Cell Phone Speaker/Microphone Switching
- Ringtone-Chip/Amplifier Switching
- Stereo Balanced (Push-Pull) Switching

### Important Information

- Ringtone-Chip/Amplifier Switching
- Continuous Current Rating Through each Switch  $\pm 300$  mA
- Conforms to: JEDEC MO-220, Issue H, Variation VEED-6
- Pin for Pin Compatible with FSA4157



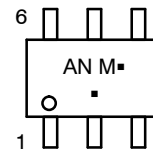
**ON Semiconductor®**

<http://onsemi.com>



SC-88 (SOT-363)  
CASE 419B

### MARKING DIAGRAM

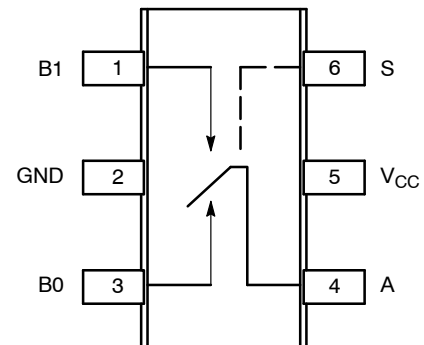


AN = Specific Device Code  
M = Date Code\*  
G = Pb-Free Package

(Note: Microdot may be in either location)

\*Date Code orientation and/or position may vary depending upon manufacturing location.

### PIN ASSIGNMENTS



(Top View)

### ORDERING INFORMATION

See detailed ordering and shipping information in the package dimensions section on page 4 of this data sheet.

# NLAS4157

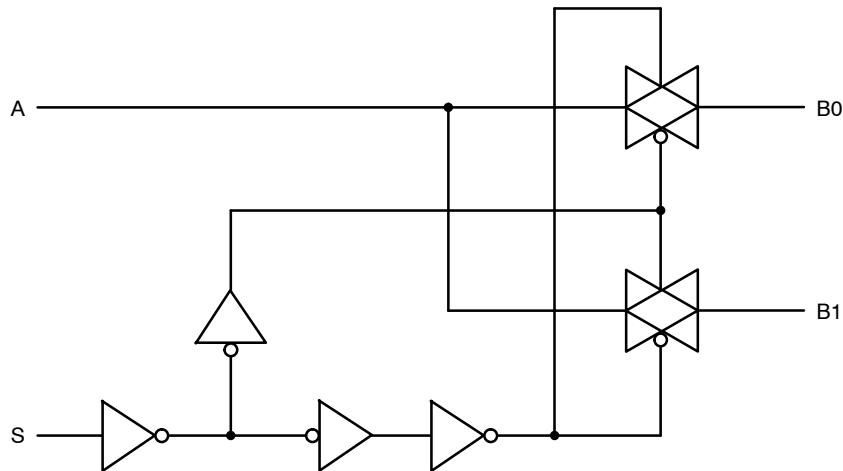


Figure 1. Input Equivalent Circuit

## PIN DESCRIPTION

Pin Name	Description
A, B0, B1	Data Ports
S	Control Input

## TRUTH TABLE

Control Input	Function
L	B0 Connected to A
H	B1 Connected to A

H = HIGH Logic Level.  
L = LOW Logic Level.

## MAXIMUM RATINGS

Symbol	Rating	Value	Unit
$V_{CC}$	Positive DC Supply Voltage	-0.5 to +6.0	V
$V_{IS}$	Analog Input Voltage ( $V_{NO}$ , $V_{NC}$ , or $V_{COM}$ )	-0.5 to $V_{CC} + 0.5$	V
$V_{IN}$	Digital Select Input Voltage	-0.5 to +6.0	V
$I_{anl1}$	Continuous DC Current from COM to NC/NO	$\pm 300$	mA
$I_{anl-pk1}$	Peak Current from COM to NC/NO, 10 Duty Cycles (Note 1)	$\pm 500$	mA
$I_{clmp}$	Continuous DC Current into COM/NC/NO with respect to $V_{CC}$ or GND	$\pm 100$	mA

Stresses exceeding Maximum Ratings may damage the device. Maximum Ratings are stress ratings only. Functional operation above the Recommended Operating Conditions is not implied. Extended exposure to stresses above the Recommended Operating Conditions may affect device reliability.

1. Defined as 10% ON, 90% off duty cycle.

## RECOMMENDED OPERATING CONDITIONS

Symbol	Rating	Min	Max	Unit
$V_{CC}$	Positive DC Supply Voltage	1.65	5.5	V
$V_{IS}$	Analog Input Voltage (A, B0, B1)	0	$V_{CC}$	V
$V_{IN}$	Digital Select Input Voltage (S)	0	$V_{CC}$	V
$T_A$	Operating Temperature Range	-40	85	$^{\circ}C$
$t_r, t_f$	Input Rise or Fall Time, SELECT		20 10	ns/V

# NLAS4157

## DC ELECTRICAL CHARACTERISTICS

Symbol	Parameter	Test Conditions	V <sub>CC</sub> (V)	T <sub>A</sub> = +25°C			T <sub>A</sub> = -40°C to +85°C		Unit
				Min	Typ	Max	Min	Max	
V <sub>IH</sub>	HIGH Level Input Voltage		2.7 4.5				2.0 2.4		V
V <sub>IL</sub>	LOW Level Input Voltage		2.7 4.5					0.6 0.8	V
I <sub>IN</sub>	Input Leakage Current	0 ≤ V <sub>IN</sub> ≤ 5.5 V	0-5.5			±0.1		±1	μA
I <sub>OFF</sub>	OFF State Leakage Current (Note 7)	0 ≤ A, B ≤ V <sub>CC</sub>	5.5	-2.0		+2.0		±20	nA
I <sub>ON</sub>	ON State Leakage Current (Note 7)	0 ≤ A, B ≤ V <sub>CC</sub>	5.5	-4.0		+4.0		±40	nA
R <sub>ON</sub>	Switch On Resistance (Note 2)	I <sub>O</sub> = -100 mA, B <sub>0</sub> or B <sub>1</sub> = 3.5 V	2.7		2.0	4.0		4.3	Ω
		I <sub>O</sub> = -100 mA, B <sub>0</sub> or B <sub>1</sub> = 1.5 V	4.5		0.8	1.15		1.3	
I <sub>CC</sub>	Quiescent Supply Current All Channels ON or OFF	V <sub>IN</sub> = V <sub>CC</sub> or GND, I <sub>OUT</sub> = 0	5.5			0.5		1.0	μA

### Analog Signal Range

ΔR <sub>ON</sub>	On Resistance Match Between Channels (Notes 2, 3, 4)	I <sub>A</sub> = -100 mA, B <sub>0</sub> or B <sub>1</sub> = 1.5 V	2.7		0.15				Ω
		I <sub>A</sub> = -100 mA, B <sub>0</sub> or B <sub>1</sub> = 3.5 V	4.5		0.12			0.15	
R <sub>flat</sub>	On Resistance Flatness (Notes 2, 3, 5)	I <sub>A</sub> = -100 mA, B <sub>0</sub> or B <sub>1</sub> = 0 V, 0.75 V, 1.5 V	2.7		1.4				Ω
		I <sub>A</sub> = -100 mA, B <sub>0</sub> or B <sub>1</sub> = 0 V, 1.0 V, 2.0 V	4.5		0.3			0.4	

2. Measured by the voltage drop between A and B pins at the indicated current through the switch. On Resistance is determined by the lower of the voltages on the two (A or B Ports).
3. Parameter is characterized but not tested in production.
4. ΔR<sub>ON</sub> = R<sub>ON</sub> max – R<sub>ON</sub> min measured at identical V<sub>CC</sub>, temperature and voltage levels.
5. Flatness is defined as the difference between the maximum and minimum value of On Resistance over the specified range of conditions.
6. Guaranteed by Design.
7. This parameter is guaranteed by design but not tested. The bus switch contributes no propagation delay other than the RC delay of the On Resistance of the switch and the 50 pF load capacitance, when driven by an ideal voltage source (zero output impedance).

# NLAS4157

## AC ELECTRICAL CHARACTERISTICS

Symbol	Parameter	Test Conditions	V <sub>CC</sub> (V)	T <sub>A</sub> = +25°C			T <sub>A</sub> = -40°C to +85°C		Unit	Figure #
				Min	Typ	Max	Min	Max		
t <sub>PHL</sub> t <sub>PLH</sub>	Propagation Delay Bus-to-Bus (Note 9)	V <sub>I</sub> = OPEN	2.7 4.5			2.0 0.3			ns	3, 4
t <sub>ON</sub>	Output Enable Time Turn On Time (A to B <sub>n</sub> )	B <sub>0</sub> or B <sub>1</sub> = 1.5 V, R <sub>L</sub> = 50 Ω, C <sub>L</sub> = 35 pF B <sub>0</sub> or B <sub>1</sub> = 3.0 V, R <sub>L</sub> = 50 Ω, C <sub>L</sub> = 35 pF	2.7 4.5			30 20		35 25	ns	3, 4
t <sub>OFF</sub>	Output Disable Time Turn Off Time (A Port to B Port)	B <sub>0</sub> or B <sub>1</sub> = 1.5V, R <sub>L</sub> = 50 Ω, C <sub>L</sub> = 35 pF B <sub>0</sub> or B <sub>1</sub> = 3.0 V, R <sub>L</sub> = 50 Ω, C <sub>L</sub> = 35 pF	2.7 4.5			20 15		25 20	ns	3, 4
t <sub>BBM</sub>	Break Before Make Time (Note 8)		2.7 4.5	0.5 0.5			0.5 0.5		ns	2
Q	Charge Injection (Note 8)	C <sub>L</sub> = 1.0 nF, V <sub>GEN</sub> = 0 V R <sub>GEN</sub> = 0 Ω	2.7 4.5		26 48				pC	6
O <sub>IRR</sub>	Off Isolation (Note 10)	R <sub>L</sub> = 50 Ω f = 1.0 MHz	2.7 – 5.5		-52				dB	5
X <sub>talk</sub>	Crosstalk	R <sub>L</sub> = 50 Ω f = 1.0 MHz	2.7 – 5.5		-57				dB	7
BW	-3 dB Bandwidth	R <sub>L</sub> = 50 Ω	2.7 – 5.5		40				MHz	8
THD	Total Harmonic Distortion (Note 8)	R <sub>L</sub> = 600 Ω 0.5 V <sub>P-P</sub> f = 20 Hz to 20 kHz	2.7 – 5.5		0.012				%	9

8. Guaranteed by Design.

9. This parameter is guaranteed by design but not tested. The bus switch contributes no propagation delay other than the RC delay of the On Resistance of the switch and the 50 pF load capacitance, when driven by an ideal voltage source (zero output impedance).

10. Off Isolation = 20 log<sub>10</sub> [V<sub>A</sub>/V<sub>Bn</sub>].

## CAPACITANCE (Note 11)

Symbol	Parameter	Test Conditions	Typ	Max	Unit	Figure #
C <sub>IN</sub>	Select Pin Input Capacitance	V <sub>CC</sub> = 0 V, f = 1 MHz	10		pF	
C <sub>IO-B</sub>	B Port Off Capacitance	V <sub>CC</sub> = 4.5 V, f = 1 MHz	25		pF	
C <sub>IOA-ON</sub>	A Port Capacitance when Switch is Enabled	V <sub>CC</sub> = 4.5 V, f = 1 MHz	87		pF	

11. T<sub>A</sub> = +25°C, f = 1 MHz, Capacitance is characterized but not tested in production.

## DEVICE ORDERING INFORMATION

Device Order Number	Package	Shipping <sup>†</sup>
NLAS4157DFT2G	SC-88 (Pb-Free)	3000 / Tape & Reel

<sup>†</sup>For information on tape and reel specifications, including part orientation and tape sizes, please refer to our Tape and Reel Packaging Specifications Brochure, BRD8011/D.

# NLAS4157

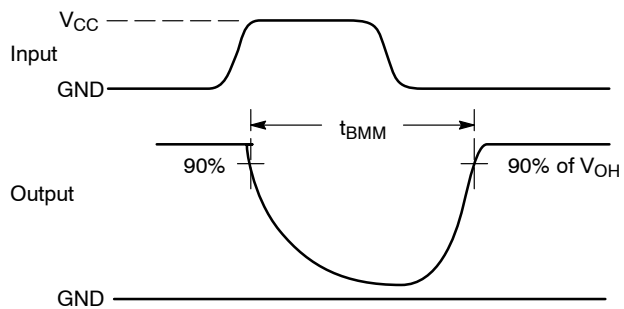


Figure 2.  $t_{BMM}$  (Time Break-Before-Make)

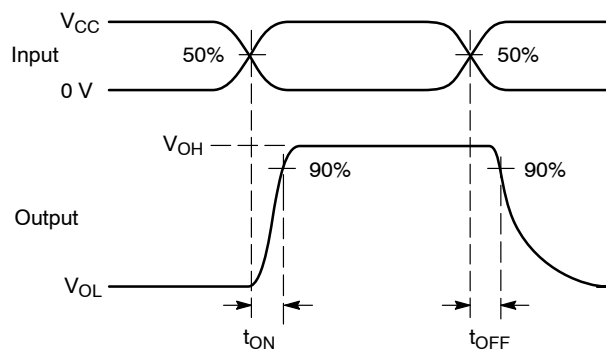
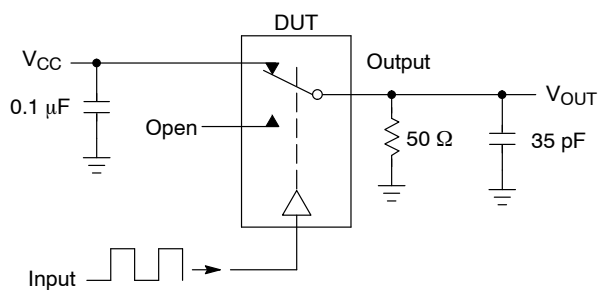


Figure 3.  $t_{ON}/t_{OFF}$

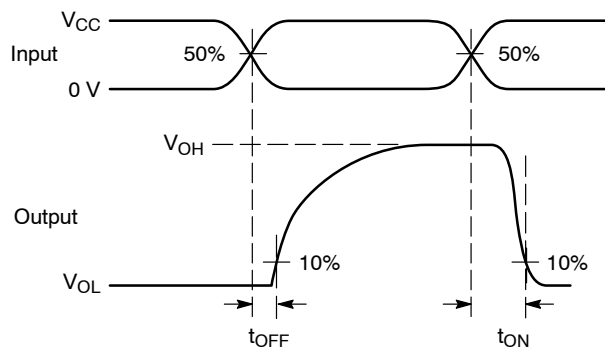
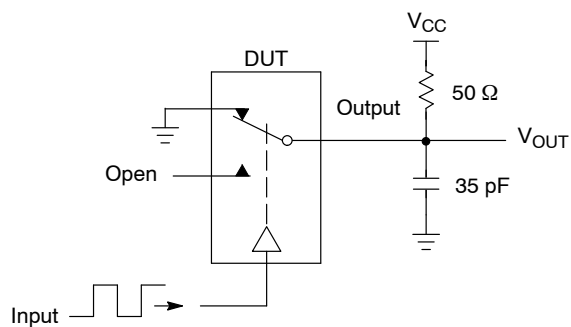


Figure 4.  $t_{ON}/t_{OFF}$

# NLAS4157



Channel switch control/s test socket is normalized. Off isolation is measured across an off channel. On loss is the bandwidth of an On switch.  $V_{ISO}$ , Bandwidth and  $V_{ONL}$  are independent of the input signal direction.

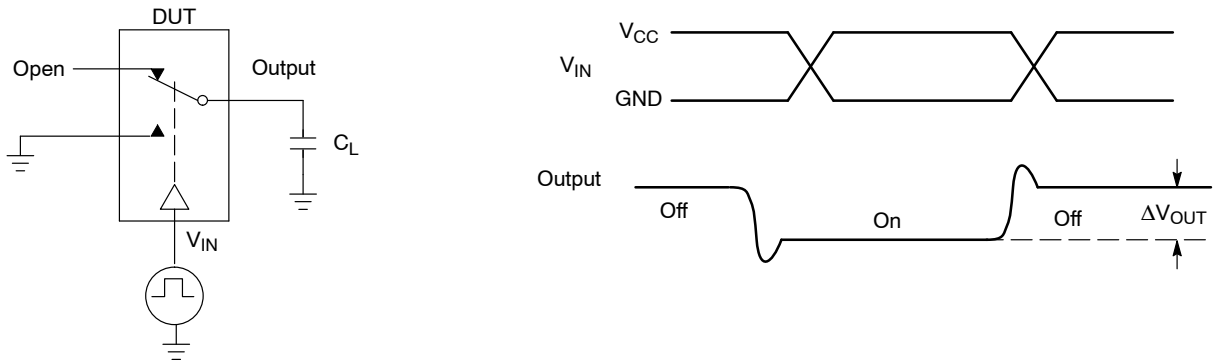
$$V_{ISO} = \text{Off Channel Isolation} = 20 \text{ Log} \left( \frac{V_{OUT}}{V_{IN}} \right) \text{ for } V_{IN} \text{ at } 100 \text{ kHz}$$

$$V_{ONL} = \text{On Channel Loss} = 20 \text{ Log} \left( \frac{V_{OUT}}{V_{IN}} \right) \text{ for } V_{IN} \text{ at } 100 \text{ kHz to } 50 \text{ MHz}$$

Bandwidth (BW) = the frequency 3 dB below  $V_{ONL}$

$V_{CT}$  = Use  $V_{ISO}$  setup and test to all other switch analog input/outputs terminated with 50  $\Omega$

**Figure 5. Off Channel Isolation/On Channel Loss (BW)/Crosstalk (On Channel to Off Channel)/ $V_{ONL}$**



**Figure 6. Charge Injection: (Q)**

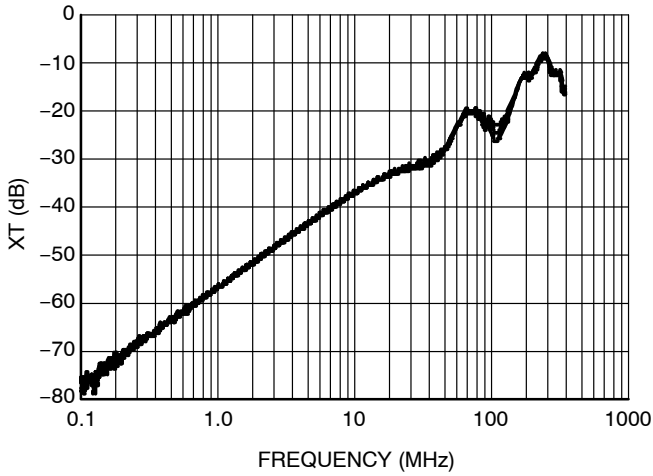


Figure 7. Cross Talk vs. Frequency  
@  $V_{CC} = 4.5\text{ V}$

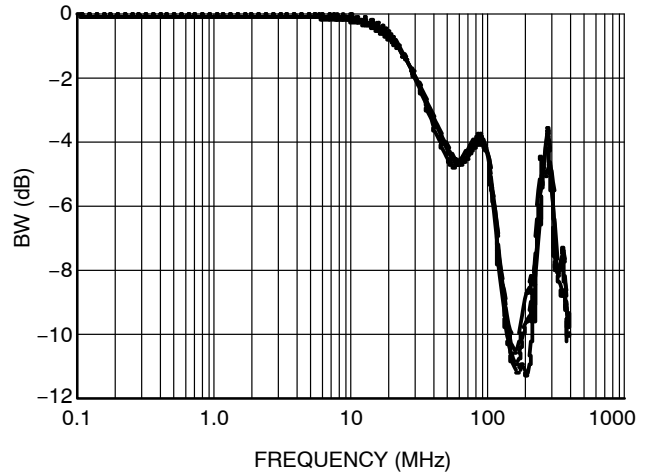


Figure 8. Bandwidth vs. Frequency

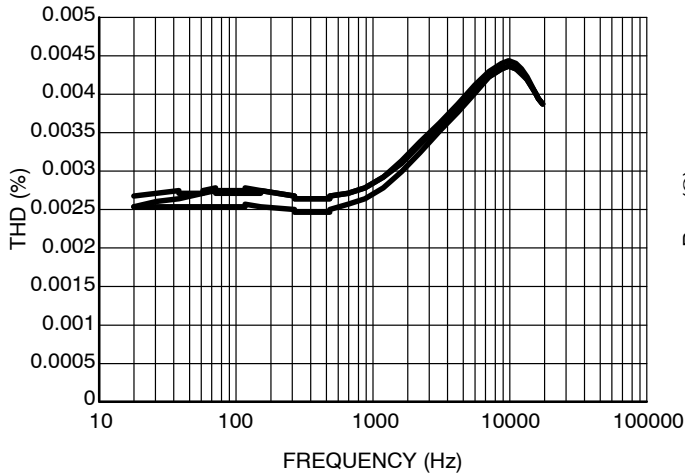


Figure 9. Total Harmonic Distortion

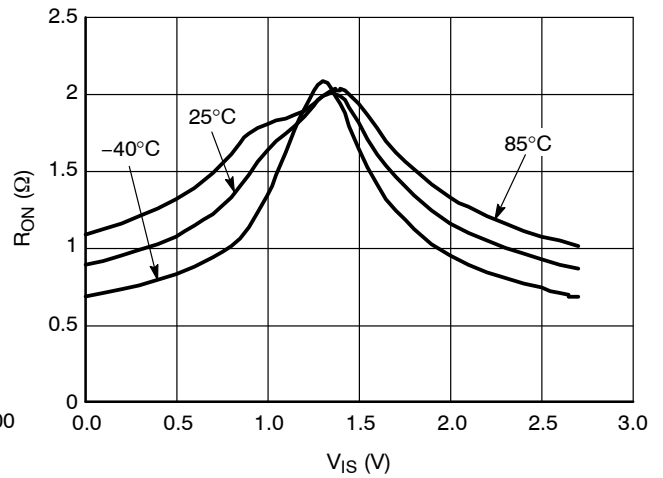


Figure 10. On-Resistance vs. Signal Voltage  
@  $V_{CC} = 2.7\text{ V}$

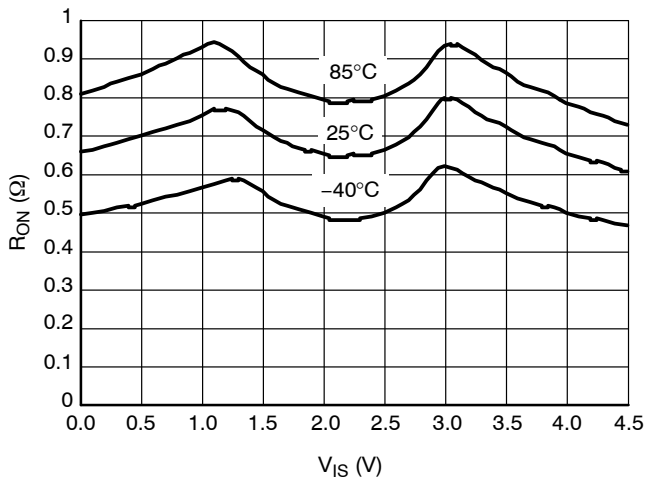


Figure 11. On-Resistance vs. Signal Voltage  
@  $V_{CC} = 4.5\text{ V}$

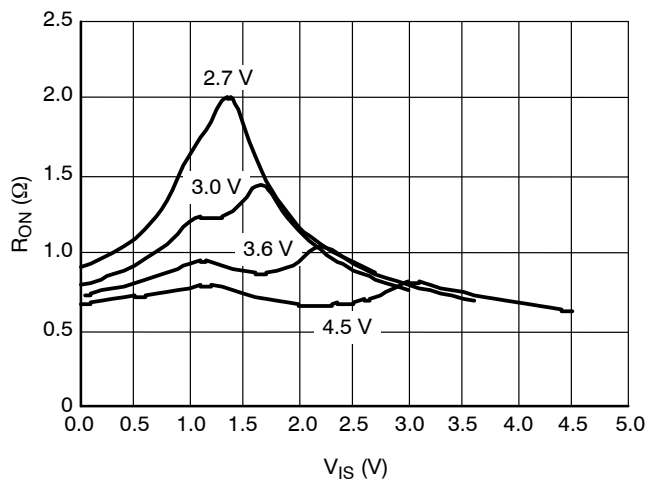
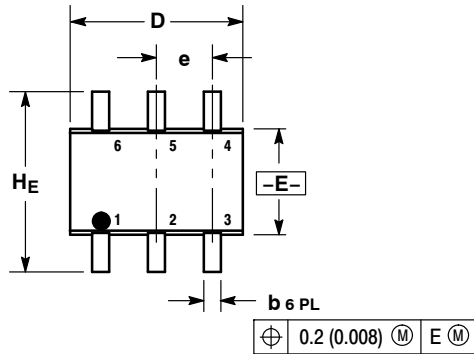


Figure 12. On-Resistance vs. Signal Voltage

# NLAS4157

## PACKAGE DIMENSIONS

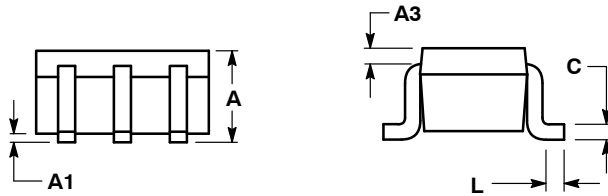
SC-88/SC70-6/SOT-363  
CASE 419B-02  
ISSUE W



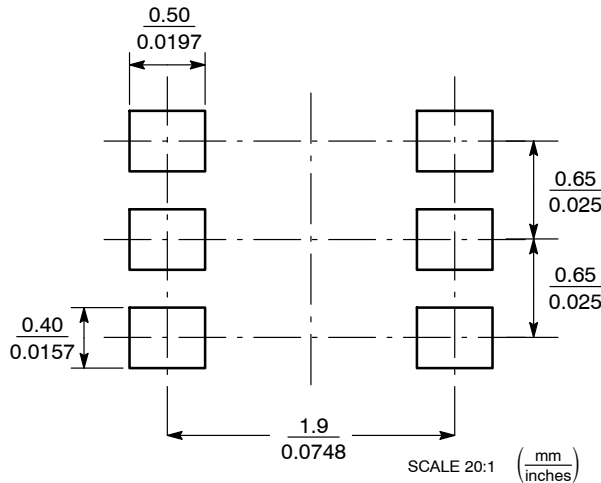
NOTES:

1. DIMENSIONING AND TOLERANCING PER ANSI Y14.5M, 1982.
2. CONTROLLING DIMENSION: INCH.
3. 419B-01 OBSOLETE, NEW STANDARD 419B-02.

DIM	MILLIMETERS			INCHES		
	MIN	NOM	MAX	MIN	NOM	MAX
A	0.80	0.95	1.10	0.031	0.037	0.043
A1	0.00	0.05	0.10	0.000	0.002	0.004
A3	0.20 REF			0.008 REF		
b	0.10	0.21	0.30	0.004	0.008	0.012
C	0.10	0.14	0.25	0.004	0.005	0.010
D	1.80	2.00	2.20	0.070	0.078	0.086
E	1.15	1.25	1.35	0.045	0.049	0.053
e	0.65 BSC			0.026 BSC		
L	0.10	0.20	0.30	0.004	0.008	0.012
HE	2.00	2.10	2.20	0.078	0.082	0.086



### SOLDERING FOOTPRINT\*



\*For additional information on our Pb-Free strategy and soldering details, please download the ON Semiconductor Soldering and Mounting Techniques Reference Manual, SOLDERRM/D.

ON Semiconductor and are registered trademarks of Semiconductor Components Industries, LLC (SCILLC). SCILLC reserves the right to make changes without further notice to any products herein. SCILLC makes no warranty, representation or guarantee regarding the suitability of its products for any particular purpose, nor does SCILLC assume any liability arising out of the application or use of any product or circuit, and specifically disclaims any and all liability, including without limitation special, consequential or incidental damages. "Typical" parameters which may be provided in SCILLC data sheets and/or specifications can and do vary in different applications and actual performance may vary over time. All operating parameters, including "Typicals" must be validated for each customer application by customer's technical experts. SCILLC does not convey any license under its patent rights nor the rights of others. SCILLC products are not designed, intended, or authorized for use as components in systems intended for surgical implant into the body, or other applications intended to support or sustain life, or for any other application in which the failure of the SCILLC product could create a situation where personal injury or death may occur. Should Buyer purchase or use SCILLC products for any such unintended or unauthorized application, Buyer shall indemnify and hold SCILLC and its officers, employees, subsidiaries, affiliates, and distributors harmless against all claims, costs, damages, and expenses, and reasonable attorney fees arising out of, directly or indirectly, any claim of personal injury or death associated with such unintended or unauthorized use, even if such claim alleges that SCILLC was negligent regarding the design or manufacture of the part. SCILLC is an Equal Opportunity/Affirmative Action Employer. This literature is subject to all applicable copyright laws and is not for resale in any manner.

### PUBLICATION ORDERING INFORMATION

LITERATURE FULFILLMENT:  
Literature Distribution Center for ON Semiconductor  
P.O. Box 5163, Denver, Colorado 80217 USA  
Phone: 303-675-2175 or 800-344-3860 Toll Free USA/Canada  
Fax: 303-675-2176 or 800-344-3867 Toll Free USA/Canada  
Email: orderlit@onsemi.com

N. American Technical Support: 800-282-9855 Toll Free  
USA/Canada  
Europe, Middle East and Africa Technical Support:  
Phone: 421 33 790 2910  
Japan Customer Focus Center  
Phone: 81-3-5817-1050

ON Semiconductor Website: [www.onsemi.com](http://www.onsemi.com)  
Order Literature: <http://www.onsemi.com/orderlit>

For additional information, please contact your local Sales Representative