

Strain Relief Over Boots

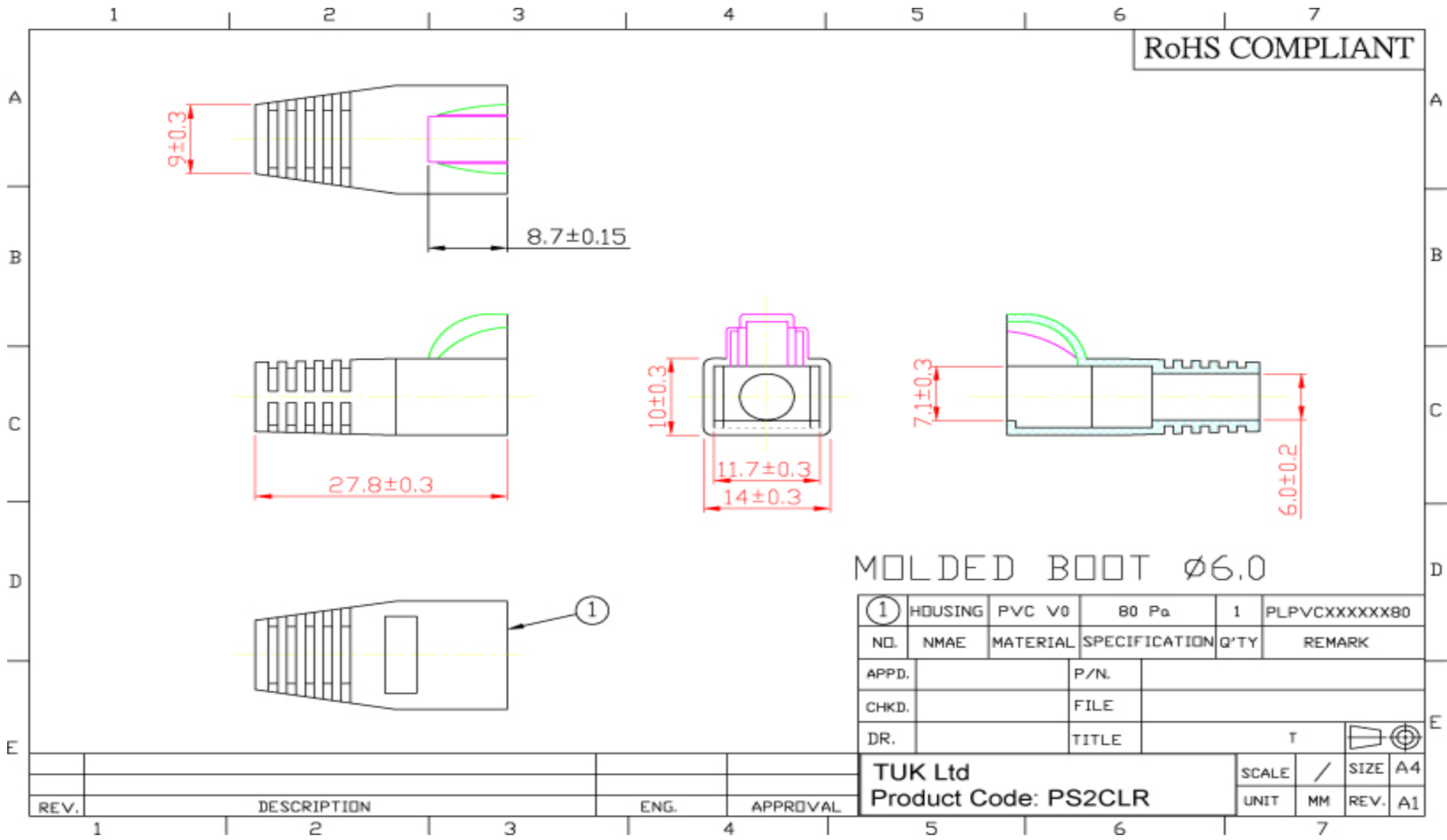


Strain Relief Over Boots (PS2* + PS2*6)

Features

- Designed to minimise excessive strain on the connection
- Extended hood prevents latch snagging other cables
- Suitable for cable diameter size: approx 5.5mm (PS2*) and 6.5mm (PS2*6)
- Available in a range of colours and transparent
- Version for extra large (eg 7.5mm) cable just introduced: black (PS2Bk8) or white (PS2Wh8)

Colour	Code (Cat 5e)	Code (Cat 6)
Beige	PS2Bg	PS2Bg6
Black	PS2Bk	PS2Bk6
Blue	PS2Bl	PS2Bl6
Brown	PS2Br	PS2Br6
Green	PS2Gn	PS2Gn6
Grey	PS2Gy	PS2Gy6
Orange	PS2Or	PS2Or6
Purple	PS2Pu	PS2Pu6
Red	PS2Rd	PS2Rd6
Transparent	PS2CLR	PS2CLR6
White	PS2Wh	PS2Wh6
Yellow	PS2Yw	PS2Yw6



TUK Ltd, Unit 4, Wimbledon Stadium Business Centre, Riverside Road, London, SW17 0BA