




Power Meter


For single-phase & split-phase mains networks

Easy to Use. Easy to Read.

Programmable dynamic backlight colour



Warning flash



Universal, configurable & flexible

20
segment curved bar graph display

1% Accuracy

2 user configurable alarms

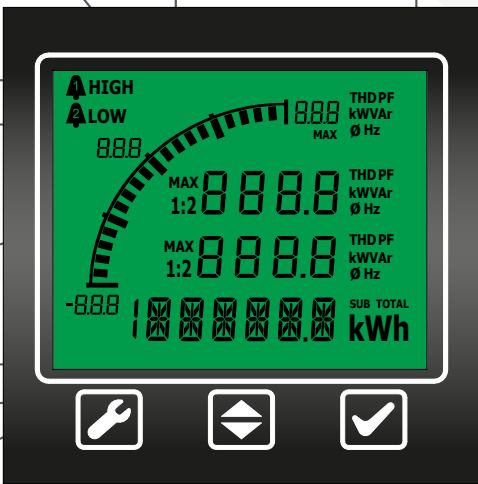
Programmable scale

2 digital outputs
Alarm or pulsed

Less than 75mm deep

2 digital outputs
Alarm or pulsed

Combined digital and bar graph display



Demand:

- Active Energy (kWh)
- Total
- Sub-total

Instantaneous & MAX:

- Voltage (V)
- Current (I)
- Reactive Power (VAr)
- Active Power (W)
- Apparent Power (VA)
- Frequency (Hz)
- Power Factor (PF)
- THD Voltage & Current

Inputs:

- 2x 300VAC
- 2x 1000A via CT
- Reset & Button Lockout

Outputs:

- Isolated 2kV
- Pulsed Output
- 2 Digital Outputs
- 4-20mA Analogue Output

Configuration:

- Front Panel Buttons
- USB
- PC Application

Featuring a unique multi-measurement easy-to-read display

The APM Power Meter is a panel mounted electrical energy meter. It can measure active and reactive power as well as many other electrical parameters and display them directly on its large backlit LCD display. It is designed for use on single-phase or split-phase mains applications up to 300VAC & 1000A using an external current transformer.

Thanks to its front panel buttons and multi-measurement capability the APM Power Meter is the ideal power meter - providing you with a clear indication of the performance of your electrical circuit. It can simultaneously display up to 4 different electrical parameters on its combined digital and bargraph display

The programmable scale and custom annunciators allow users to tailor the meter to display their critical parameters exactly how they want. Dynamic backlighting, in conjunction with programmable setpoints, means operators can be immediately alerted when a parameter is out of range. The APM also features two independent digital outputs as well as an analogue 4-20mA output.

Specifications

MEASUREMENT

Input range (AC)	0 - 300V	0 - 1000A
Accuracy	1% (THD 5%)	1% (THD 5%)
Display modes	Instantaneous or maximum	

ENVIRONMENTAL

Temperature - operating	-10 to +60°C
Temperature - storage	-40 to +70°C
IP rating (from the front)	IP65

POWER SUPPLY

Input	90-264 VAC
Supply frequency	50-60Hz
Max power	3W

DISPLAY

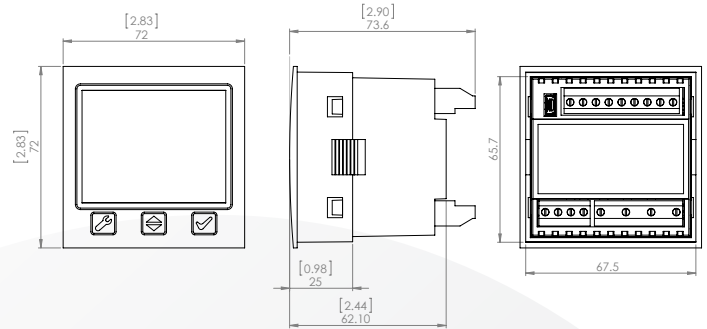
Backlight colours	Red, Green, White
-------------------	-------------------

OUTPUTS

Max voltage (Digital)	24V
Max current (Digital)	500mA
Analogue output	4-20mA
Pulsed output	Configurable

CERTIFICATION

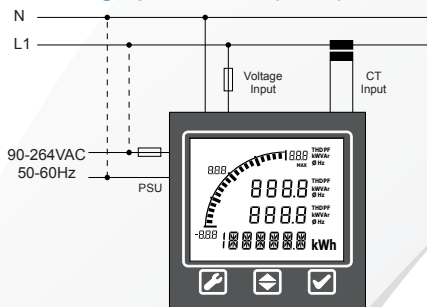
UL and cUL (Pending), CE



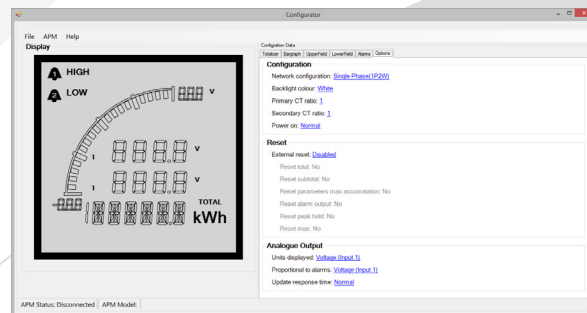
MECHANICAL

Dimensions	72mm x 72mm x 74mm [2.83" x 2.83" x 2.90"]
Cutout	68mm x 68mm [2.68" x 2.63"]
Connection Type	Screw Terminals
Wire Gauge	0.8mm ² - 3.3mm ² (18AWG to 12AWG)
Weight	200 grams

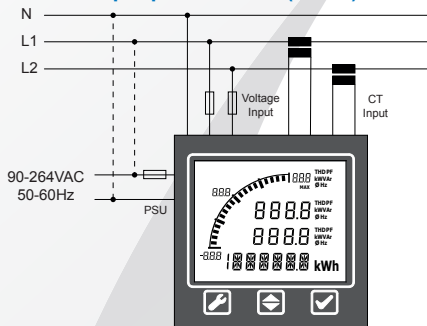
Single phase 2-wire (1P2W)



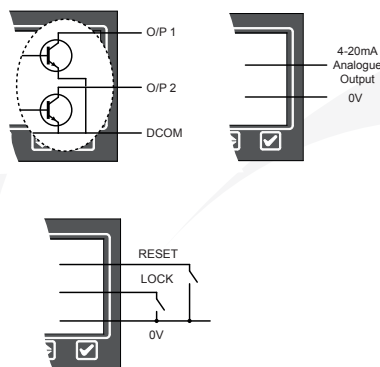
PC Application



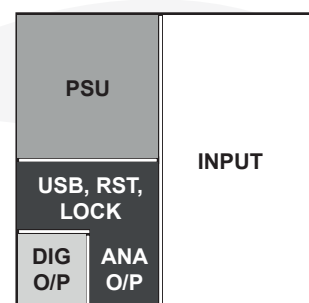
Split phase 3-wire (1P3W)



Control outputs & inputs



4-way isolation



Part Numbers:

APM-POWER-APO	APM Power Meter, Postive LCD
APM-POWER-ANO	APM Power Meter, Negative LCD



Full specifications available online

www.truAPM.com



Trumeter (Europe)

Pilot Mill
Alfred Street
Bury,
BL9 9EF
Tel: +44 161 674 0960
Email: sales.uk@trumeter.com

Trumeter (The Americas)

702 S. Military Trail
Deerfield Beach, Florida
FL 33442,
USA
Tel: +1 954 725 6699
Email: sales.usa@trumeter.com

Innovative Design Technologies Sdn. Bhd

Lot 5881, Lorong Iks Bukit Minyak 1
Taman Perindustrian Iks, 14000 Bukit Tengah
Penang, Malaysia
Web: www.idtworld.com
Tel: + 604 5015700
Email: sales.my@idtworld.com