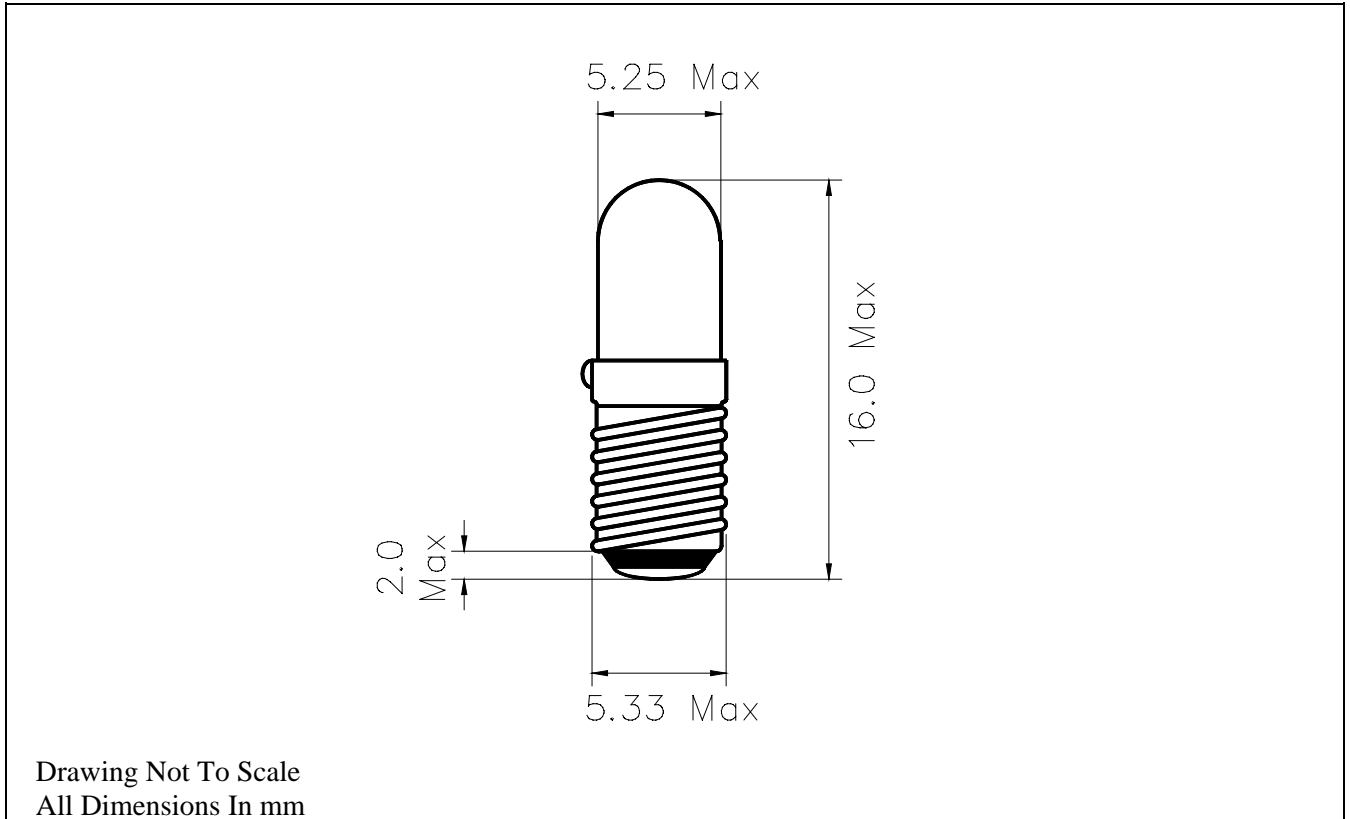


**PRODUCT
DATA SHEET**

Type	Size	Rating	Description	Part No.
Incandescent	T5	12V 1W	T-1½ Midget Screw Lamp	679



PHOTOMETRY DATA

TEST VOLTS	CURRENT (mA)			LIGHT OUTPUT (Lm)			LIFE (Hours)
	Min.	Nom.	Max.	Min.	Nom.	Max.	
12.0	75	83	91	1.8	2.4	3.0	10,000

NOTES:

- 1) Lamp Base E5 (LES) in accordance with IEC61-1 (BS EN 60061-1, sheet 7004-25-x).
- 2) C2V filament shape.
- 3) Lamp Marking: "VCH 679 12V 83mA", to be durably engraved on the lamp shell.

Issue No.	Date	C.N. No.	Drawn	Tech	QA	M & P	Sales
1	3/6/98		NR				