

ABS-210-135-RC SPEAKER with 135mm leads and Molex connector

SPEAKERS

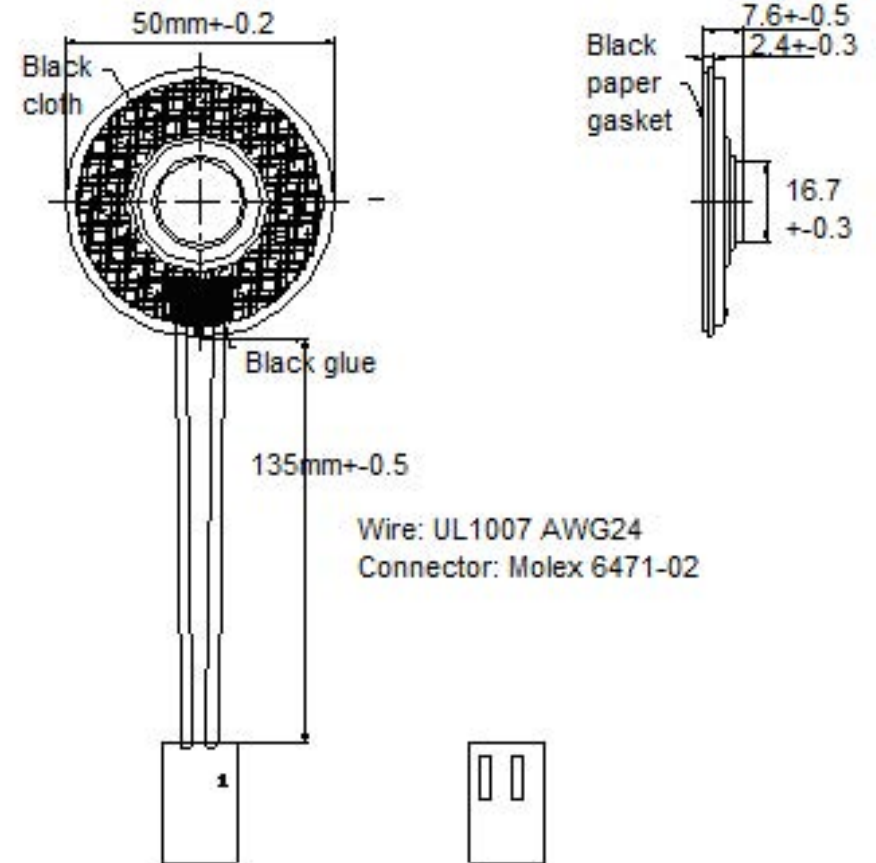
Specifications	ABS-210-135-RC
Rated impedance / 2KHz/1V	8±15%Ω
Nominal input power	1.0W
Maximum input power	1.5W
Resonant frequency	350±20%Hz/1V
Frequency range	F0-20,000Hz
Sound pressure level at 0.1W/0.1m	92±3dB
Total harmonic distortion / 1KHz/0.1W	5%max
Fluz density	0.6T
Magnet NdFeB	∅12.5x1.5mm
Voice coil diameter	∅13.28mm
Operating temperature	-10~+40°C
Storage temperature	-20~+60°C
Weight	13.2g±5%

Features

- ROHS compliant
- Paper cone speaker
- Low profile

Material

Frame - SPCC
 Diaphragm - PET
 Plate SPCC
 Magnet - NdFeB
 PCB - FR4
 Front gasket - Paper



Dimensions Unit: mm



ALAN BUTCHER COMPONENTS LTD

Alan Butcher Components Ltd

Unit 1 Beechwood Clump Farm Industrial Estate Tin Pot Lane Blandford Dorset DT11 7TD

Telephone 01258 456360 Facsimile 01258 459194 Email sales@abcomponents.co.uk

www.abcomponents.co.uk

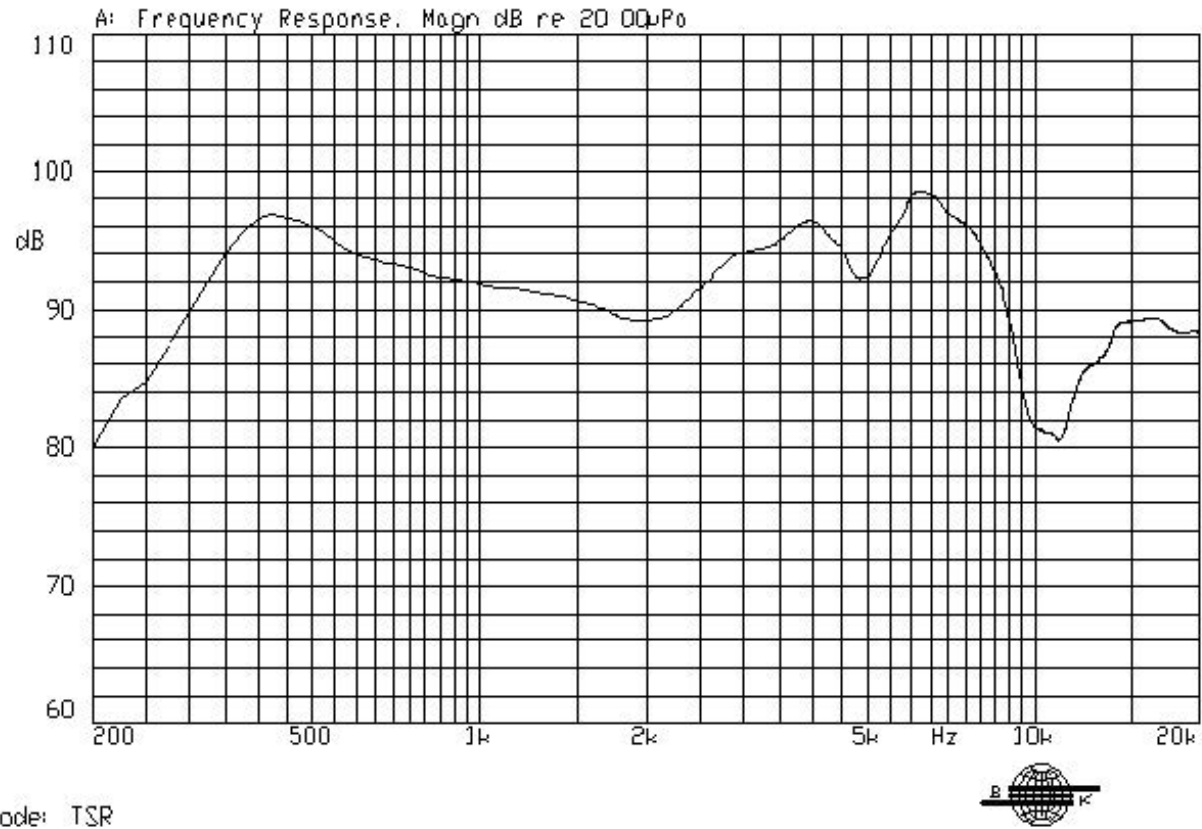


BS EN ISO 9001 Certification No 5239

ABS-210-135-RC SPEAKER - Frequency Curve

SPEAKERS

0.1m 0.1W 0.89V



ALAN BUTCHER COMPONENTS LTD

Alan Butcher Components Ltd

Unit 1 Beechwood Clump Farm Industrial Estate Tin Pot Lane Blandford Dorset DT11 7TD

Telephone 01258 456360 Facsimile 01258 459194 Email sales@abcomponents.co.uk

www.abcomponents.co.uk



BS EN ISO 9001 Certification No 5239