

# ABS-239-RC 18x13x2.5t 8OHM SPEAKER

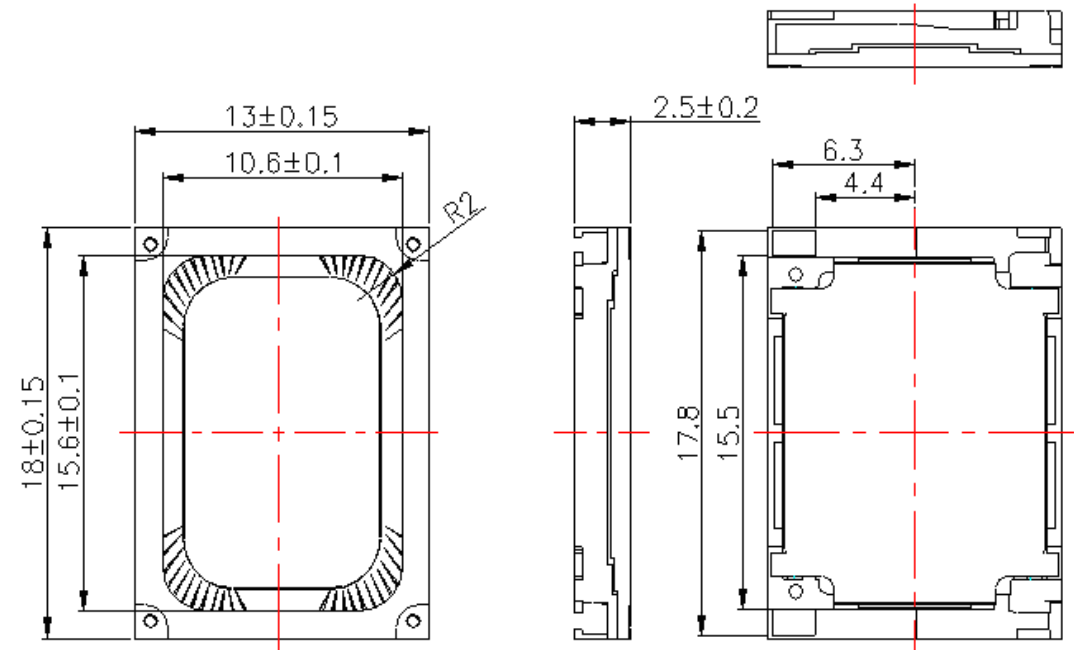
## SPEAKERS

### Specifications

	ABS-239-RC
Rated impedance at 1.5KHz/1V	8±15%Ω
Rated input power	0.7W
Maximum input power	1.0W
Resonant frequency at 0.7W/0.1m in a 1cc box	850±15%Hz
Frequency range	f0-20,000Hz
Sound pressure level at 0.7W/0.1m at 1.5kHz	93±3dB
Total harmonic distortion at 1KHz 0.7W/0.1m	15%Max
Coil resistance	7.4±15%Ω
Operating temperature	-30~+70°C
Storage temperature	-40~+85°C
Weight	1.5g

### Material

Frame - PPA	Main & Deputy Plates - SPCC
Yoke - SPCC	Main & Deputy Magnets - NdFeB
Diaphragm - PEEK	Front Cover - PC
Voice coil - Copper Wire	Solder Joints - SUS



**Dimensions** Unit: mm



ALAN BUTCHER COMPONENTS LTD

### Alan Butcher Components Ltd

Unit 1 Beechwood Clump Farm Industrial Estate Tin Pot Lane Blandford Dorset DT11 7TD

Telephone 01258 456360 Facsimile 01258 459194 Email sales@abcomponents.co.uk

[www.abcomponents.co.uk](http://www.abcomponents.co.uk)

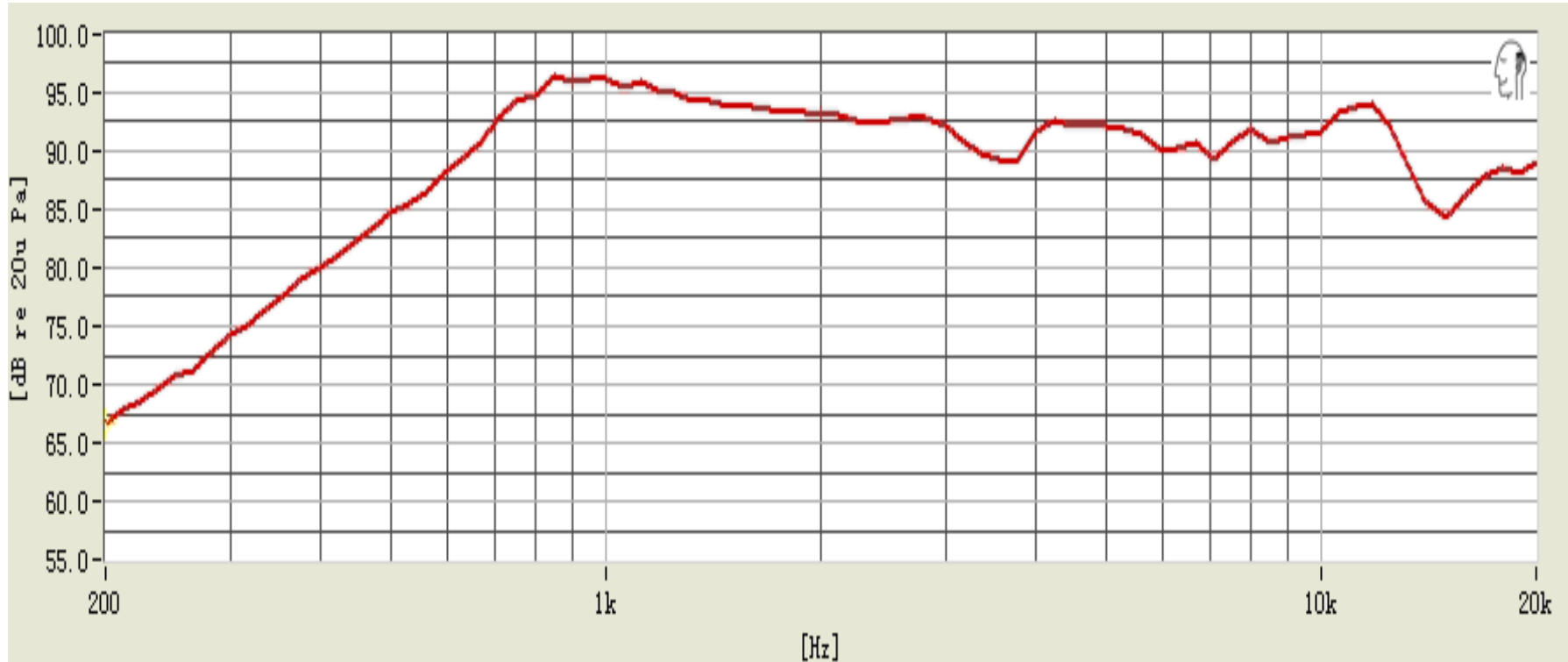


BS EN ISO 9001 Certification No 5239

# ABS-239-RC 18x13x2.5t 8OHM SPEAKER - Frequency Curve

SPEAKERS

0.7W/10cm



ALAN BUTCHER COMPONENTS LTD

**Alan Butcher Components Ltd**

Unit 1 Beechwood Clump Farm Industrial Estate Tin Pot Lane Blandford Dorset DT11 7TD

Telephone 01258 456360 Facsimile 01258 459194 Email [sales@abcomponents.co.uk](mailto:sales@abcomponents.co.uk)

[www.abcomponents.co.uk](http://www.abcomponents.co.uk)

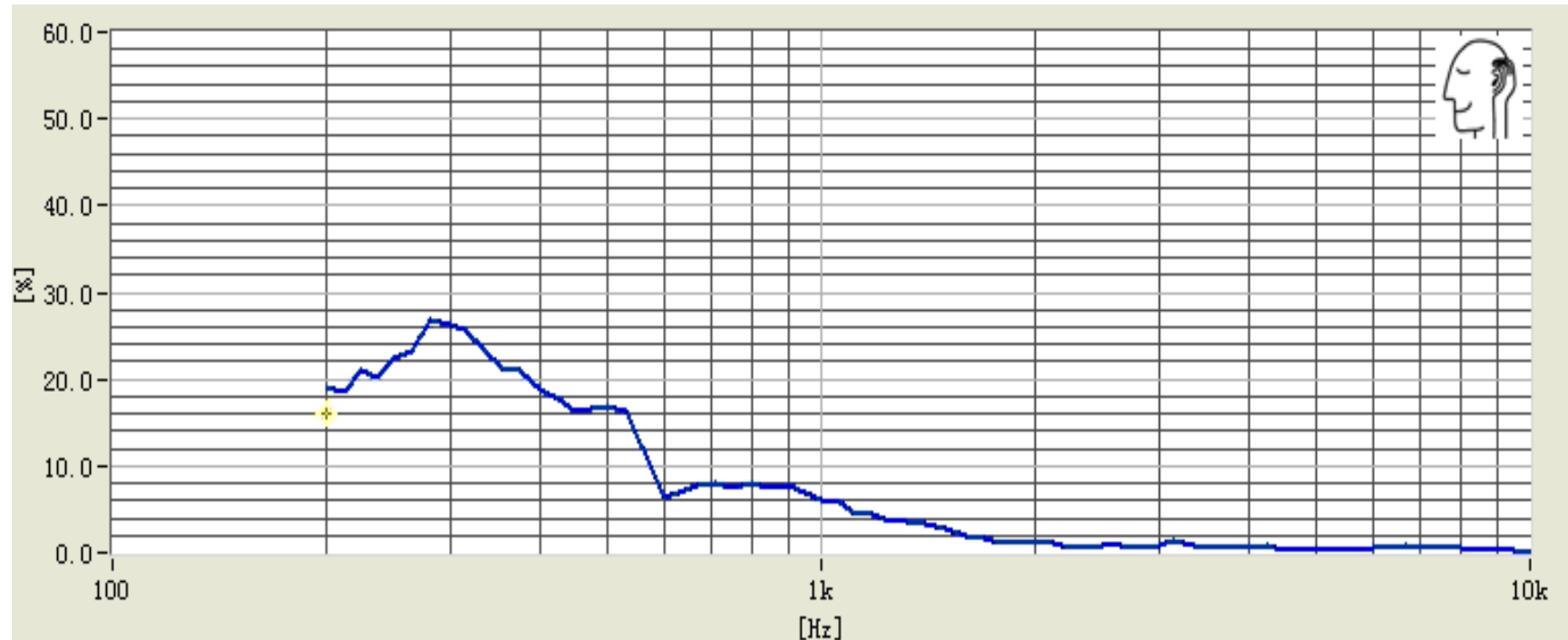


BS EN ISO 9001 Certification No 5239

# ABS-239-RC 18x13x2.5t 8OHM SPEAKER - Speaker Distortion Curve

SPEAKERS

0.7W/10cm



ALAN BUTCHER COMPONENTS LTD

**Alan Butcher Components Ltd**

Unit 1 Beechwood Clump Farm Industrial Estate Tin Pot Lane Blandford Dorset DT11 7TD

Telephone 01258 456360 Facsimile 01258 459194 Email [sales@abcomponents.co.uk](mailto:sales@abcomponents.co.uk)

[www.abcomponents.co.uk](http://www.abcomponents.co.uk)



BS EN ISO 9001 Certification No 5239