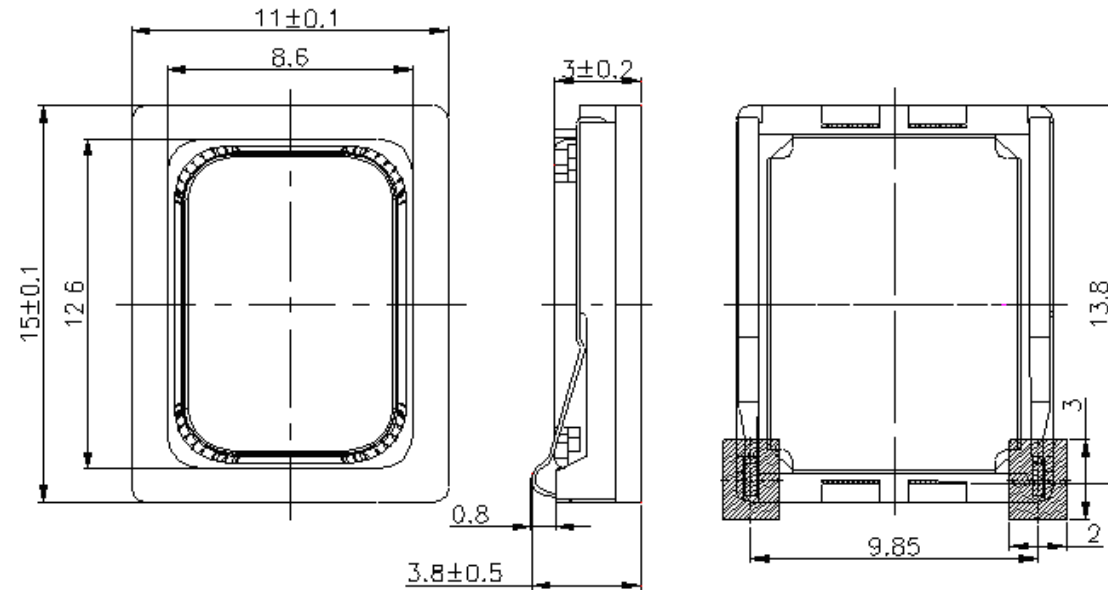


ABS-238-RC 11x15x3.0t 8OHM SPEAKER

SPEAKERS

Specifications

	ABS-238-RC
Rated impedance at 2KHz/2.0Vrms	8±15%Ω
Rated input power	0.5W
Maximum input power	1.0W
Resonant frequency in free air at 2.0Vrms/0.1m	600±20%Hz
Frequency range	f0-20,000Hz
Sound pressure level at 2.0Vrms/0.1m at 2.0kHz	89±3dB
Total harmonic distortion at 1KHz, 2rms/0.1m	10%Max
Coil resistance	7.2±10%Ω
Operating temperature	-20~+70°C
Storage temperature	-30~+80°C
Weight	1.5g



Dimensions Unit: mm

Material

Frame - PBT	Plate - SPCC
Yoke - SPCC	Magnet - NdFeB
Diaphragm - PEEK	Front Cover - PBT
Voice coil - Copper Wire	Spring Terminal - SUS



ALAN BUTCHER COMPONENTS LTD

Alan Butcher Components Ltd

Unit 1 Beechwood Clump Farm Industrial Estate Tin Pot Lane Blandford Dorset DT11 7TD

Telephone 01258 456360 Facsimile 01258 459194 Email sales@abcomponents.co.uk

www.abcomponents.co.uk

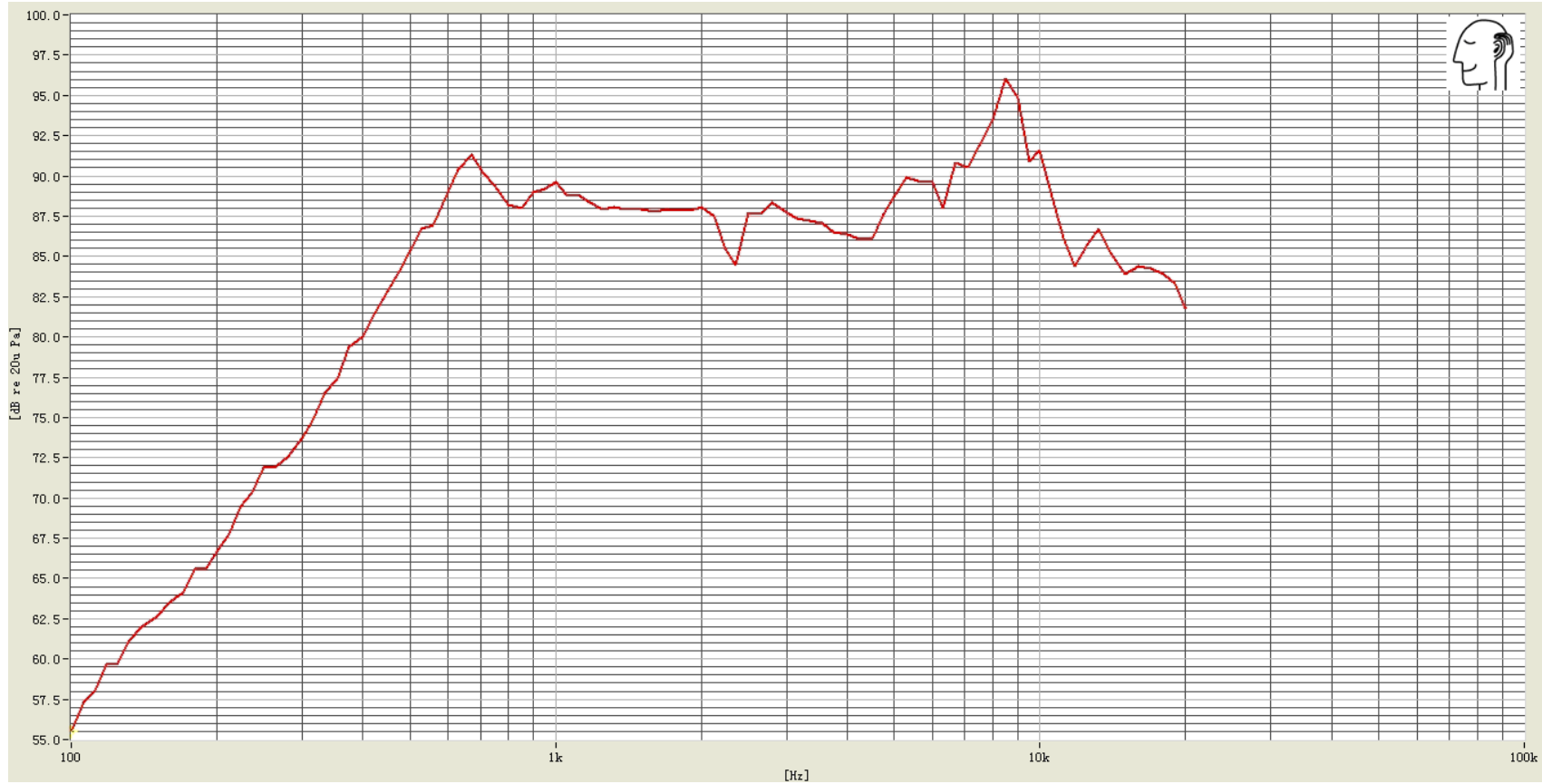


BS EN ISO 9001 Certification No 5239

ABS-238-RC 11x15x3.0t 8OHM SPEAKER - Frequency Response Curve

SPEAKERS

2.0Vrms/10cm



ALAN BUTCHER COMPONENTS LTD

Alan Butcher Components Ltd

Unit 1 Beechwood Clump Farm Industrial Estate Tin Pot Lane Blandford Dorset DT11 7TD

Telephone 01258 456360 Facsimile 01258 459194 Email sales@abcomponents.co.uk

www.abcomponents.co.uk

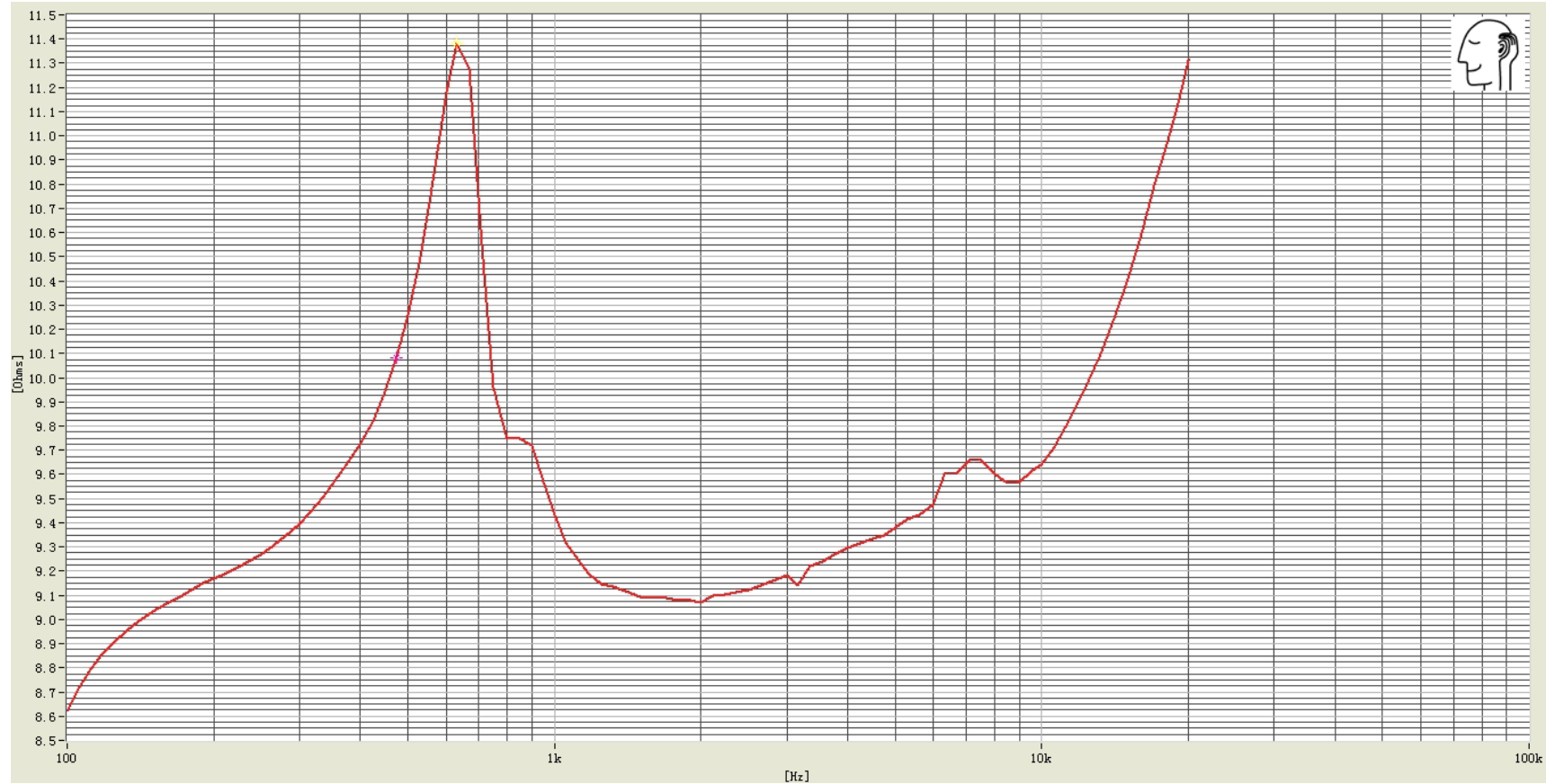


BS EN ISO 9001 Certification No 5239

ABS-238-RC 11x15x3.0t 8OHM SPEAKER - Impedance Response Curve

SPEAKERS

2.0Vrms/10cm



ALAN BUTCHER COMPONENTS LTD

Alan Butcher Components Ltd

Unit 1 Beechwood Clump Farm Industrial Estate Tin Pot Lane Blandford Dorset DT11 7TD

Telephone 01258 456360 Facsimile 01258 459194 Email sales@abcomponents.co.uk

www.abcomponents.co.uk



BS EN ISO 9001 Certification No 5239