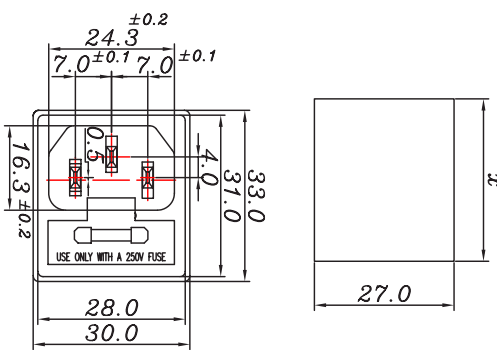


IEC Fused Inlet - Snap Fit



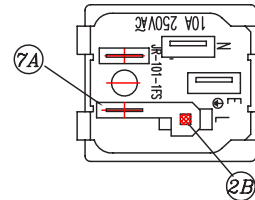
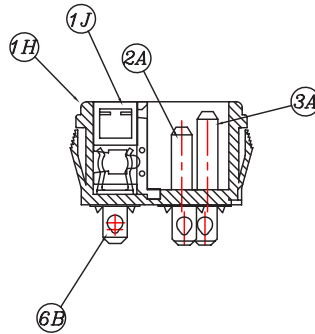
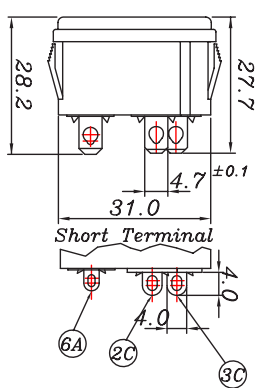
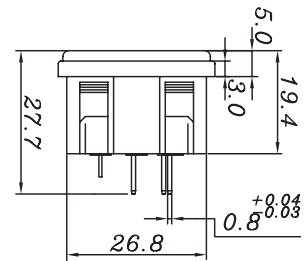
Specifications:

Rating : 2.5W / 6.3A 250V AC
 10A 250V AC
 Withstand Voltage : 2,000V AC 1 min.
 Insulation Resistance : More than 100MΩ (at 500V DC)
 Operating Temperature : -25°C to +85°C (Max.)



MOUNTING HOLE
 PANET THICK : 0.8-2.0mm

THICKNESS:
 0.8-1.2t(X=31.4)
 1.3-2.0t(X=31.6)



Dimensions : Millimetres

Item	Description	Qty.	Material	Standard	Plating	
1H	Body	1	Nylon66	94V-2	Resin Glass 30%	Q101-01H
1J	Fuse Cover		Nylon66			Q101-01J
2A	EDGE Terminal		BSP 1-1/2H	t = 2	Sn-plated	Q101-02A
2B	EDGE Terminal					Q101-02B
2C	EDGE Terminal (Short)					Q101-02C
3A	Center Terminal					Q101-03A
3C	Center Terminal (Short)					Q101-03C
6A	Fuse Holder (Short)	1 or 2	t = 0.5	Q101-06A		
6B	Fuse Holder	1	t = 0.8	Q101-06B		
7A	Connector		t = 0.6	Q101-07A		

IEC Fused Inlet - Snap Fit

Part Number Table

Description	Part Number
IEC Fused Inlet - Snap Fit	JR-101-1FS

Important Notice : This data sheet and its contents (the "Information") belong to the members of the Premier Farnell group of companies (the "Group") or are licensed to it. No licence is granted for the use of it other than for information purposes in connection with the products to which it relates. No licence of any intellectual property rights is granted. The Information is subject to change without notice and replaces all data sheets previously supplied. The Information supplied is believed to be accurate but the Group assumes no responsibility for its accuracy or completeness, any error in or omission from it or for any use made of it. Users of this data sheet should check for themselves the Information and the suitability of the products for their purpose and not make any assumptions based on information included or omitted. Liability for loss or damage resulting from any reliance on the Information or use of it (including liability resulting from negligence or where the Group was aware of the possibility of such loss or damage arising) is excluded. This will not operate to limit or restrict the Group's liability for death or personal injury resulting from its negligence. Multicomp is the registered trademark of the Group. © Premier Farnell plc 2012.