

# Vpro

for single phase alternating current, 2 pole

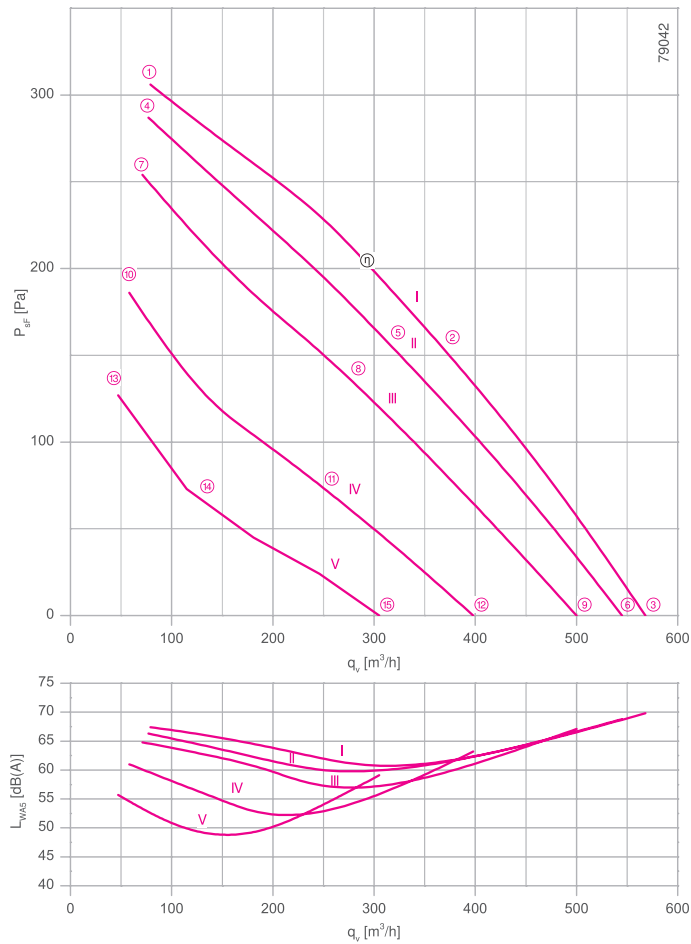
RH19V-2E



## Description

Motor technology: AC  
 Rated voltage  $U_N$ : 1~ 230 V\*  
 Rated frequency  $f_N$ : 50 Hz\* (60Hz data available)  
 Motor input power  $P_1$ : 0.6 kW\*  
 Rated current  $I_N$ : 0.26 A\*  
 Rated speed  $n_N$ : 2500 min<sup>-1</sup>\*  
 Current increase  $\Delta I$ : 0 %  
 Service capacitor  $C_{400V}$ : 2.0  $\mu$ F  
 Dynamic pressure:  $p_{d2} = 8.05 \cdot 10^{-5} \cdot q_v^2$  [Pa]  
 Thermal class: **THCL130**\*  
 Min. permitted ambient temperature  $t_{R(min)}$ : -30 °C  
 Max. permitted ambient temperature  $t_{R(max)}$ : 60 °C  
 Motor protection: Thermal contact  
 Impeller : High Performance Composite Material, uncoated, black  
 Conformity: CE  
**ErP-data**  
 Not subject to ErP regulations ( $P_1 < 125$  W)  
 \* Rated data

## Characteristic curve

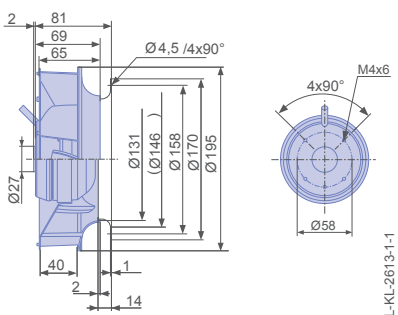


measured with inlet ring, without guard grille according to ISO 5801

- Inlet ring 00407897 Page 450
- Connection diagram 1360-177X SW Page 550
- System components Page 448

## Dimensions [mm]

Free-running motor impeller RH  
in installation position H/Vu/Vo



Performance data

Type	Characteristic curve	Voltage	Operating point	Current	Motor input power	Speed	Suction side sound power level
		U [V]		I [A]	P <sub>1</sub> [W]	n [min <sup>-1</sup> ]	L <sub>WAS</sub> [dB]
RH19V-2EP.W6.1R	I	230	①	0.23	55	2680	67
		230*	②	0.26*	60*	2530*	62
		230	③	0.24	55	2620	70
	II	200	④	0.21	42	2590	66
		200	⑤	0.25	50	2390	60
		200	⑥	0.23	46	2510	69
	III	170	⑦	0.21	36	2440	65
		170	⑧	0.25	42	2150	58
		170	⑨	0.23	38	2300	67
	IV	135	⑩	0.20	28	2100	61
		135	⑪	0.23	32	1720	55
		135	⑫	0.22	30	1920	63
	V	110	⑬	0.19	22	1720	56
		110	⑭	0.20	22	1390	49
		110	⑮	0.19	22	1470	59

\*rated data

Fan ordering information

Design RH\*  
Installation position H/Vu/Vo  
Electrical connection Supply cable variable 45cm



Type **RH19V-2EP.W6.1R**  
Article no. **113234**

Weight [kg] 1.45

\* Inlet ring not included

Control technology

Frequency inverter  
Fcontrol 1~



➤ Page 478

Motor protection units  
1~



➤ Page 526

Transformer-based  
controllers 1~



➤ Page 517

Electronic voltage  
controllers 1~



➤ Page 492

Information

Cpro-ECblue

Vpro-ECblue

Vpro

L-series

M-series

System components

Control technology

General notes