

# Vpro-ECblue

for single phase alternating current, 200-277 V

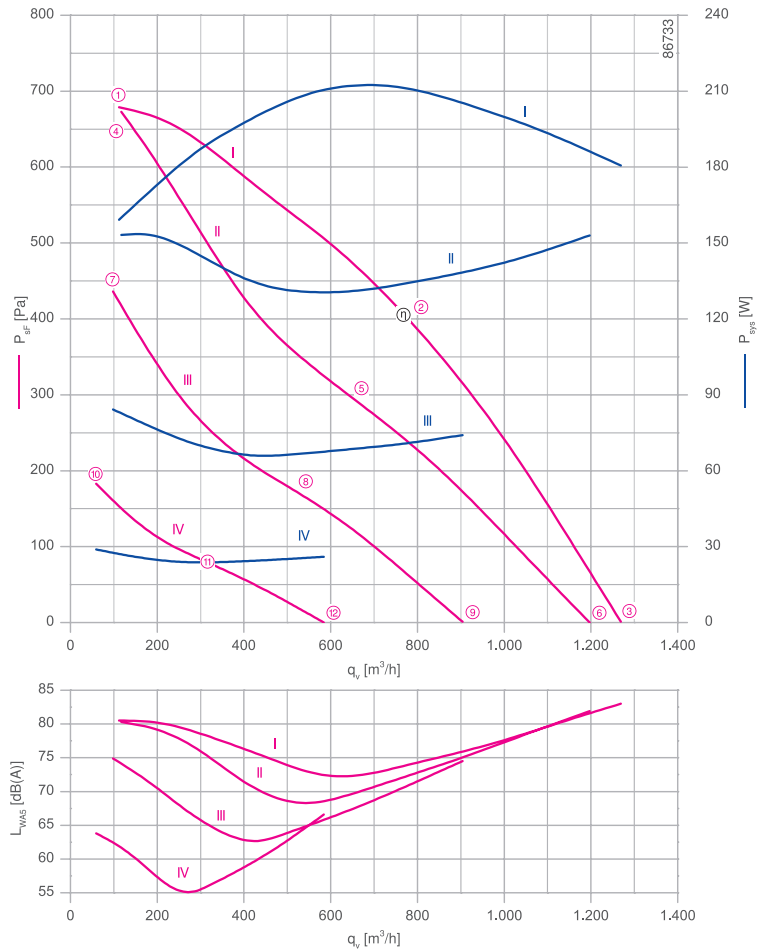
RH22V-6IP



## Description

Motor technology: EC  
 Rated voltage U: 1~200-277 V\*  
 Rated frequency f: 50/60 Hz\*  
 Motor input power P: 0.21 kW\*  
 Rated current I: 1.85-1.35 A\*  
 Rated speed n: 3380 min<sup>-1</sup>\*  
 Thermal class: THCL155\*  
 Min. permitted ambient temperature t<sub>R</sub>: - 5 °C  
 Max. permitted ambient temperature t<sub>R</sub> at n<sub>max</sub>: 60 °C  
 Electrical connection: Integrated controller with attached cable  
 Number of blades : 6  
 Balancing quality: G 6.3  
 Protection class: IP44  
 Motor protection: Integrated active temperature management  
 Impeller : High Performance Composite Material, uncoated, black  
 Conformity: ErP 2015, CE  
**ErP-data**  
 Efficiency η<sub>statA</sub>\*: 47.7 %  
 Efficiency: N<sub>actual</sub> = 65.3 / N<sub>target</sub> = 62\*\*  
 EC controller integrated  
 \*Rated data  
 \*\*ErP 2015

## Characteristic curve

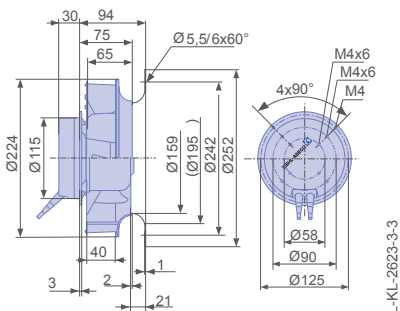


measured with inlet ring, without guard grille according to ISO 5801

- Inlet ring 00407898 Page 450
- Connection diagram KT00036A Page 547
- System components Page 448

## Dimensions [mm]

Free-running motor impeller RH  
in installation position H/Vu/Vo



Performance data


Type	Characteristic curve	Speed	Operating point	Current	Motor input power	Suction side sound power level
		%		I [A]	P <sub>sys</sub> [W]	L <sub>WA5</sub> [dB]
RH22V-6IP.0E.1R	I	100	①	1.25	160	81
			②	1.60	210	72
			③	1.35	180	83
	II	80	④	1.25	150	80
			⑤	1.20	160	80
			⑥	1.15	150	82
	III	60	⑦	0.70	85	75
			⑧	0.70	85	75
			⑨	0.64	75	75
	IV	40	⑩	0.26	28	64
			⑪	0.26	28	64
			⑫	0.25	26	67

Current values determined at 230V

Fan ordering information

Design RH\*

Installation position H/Vu/Vo



**Type** RH22V-6IP.0E.1R  
Basic electronics

**Article no.** 113248

Weight [kg] 2.60  
\* Inlet ring not included

Control technology

<p>Control module</p>  <p>➤ Page 464</p>	<p>Operating terminal</p>  <p>➤ Page 476</p>	<p>Expansion module</p>  <p>➤ Page 473</p>
---	---	---

Information

Cpro-ECblue

Vpro-ECblue

Vpro

L-series

M-series

System components

Control technology

General notes