

FE2owlet

for single phase alternating current, 4 pole

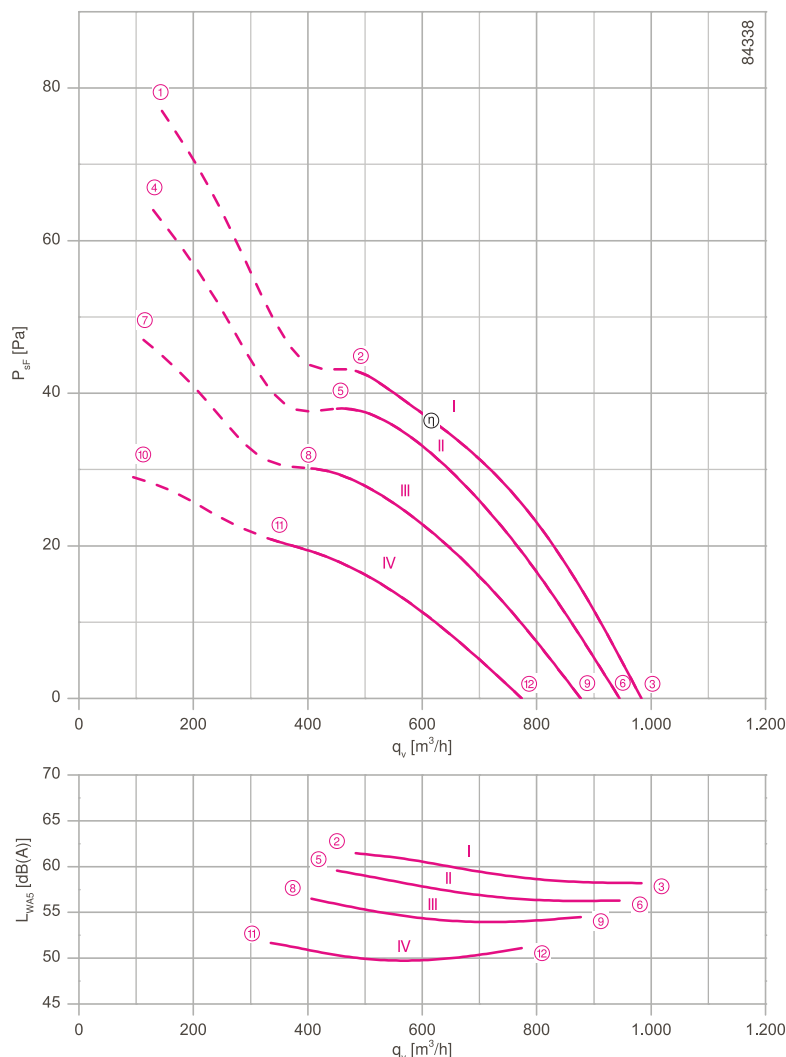
FN025-4E



Description

Motor technology: AC
 Rated voltage U_N : 1 ~ 230 V*
 Rated frequency f_N : 50 Hz* (60Hz data available)
 Motor input power P_1 : 0.05 kW*
 Rated current I_N : 0.24 A*
 Rated speed n_N : 1370 min⁻¹*
 Starting current I_a : 0.40 A
 Current increase ΔI : 0 %
 Service capacitor C_{400V} : 1.5 μ F
 Thermal class: **THCL155***
 Min. permitted conveyor temperature $t_{R(min)}$: -40 °C
 Max. permitted conveyor temperature $t_{R(max)}$: 55 °C
 Electrical connection: Supply cable variable 45 cm
 Number of blades: 7
 Motor protection: Thermal contact
 Blades: High Performance Composite Material, uncoated, black
 Rotor: Aluminium, 1 coat paint, Ultramarine blue
 Conformity: CE
ErP Data
 Is not subject to the ErP Guidelines ($P_1 < 125$ W)
 * Rated data

Characteristic curve



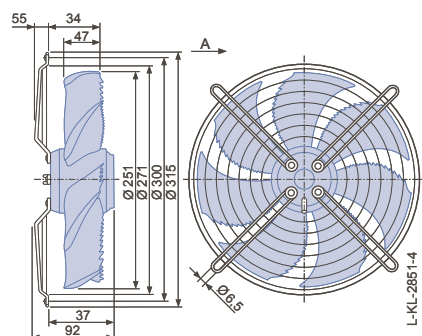
Measured in full bell mouth without guard grille in installation type A according to ISO 5801.

- Connection diagram 1360-177X Page 609
- System components Page 524

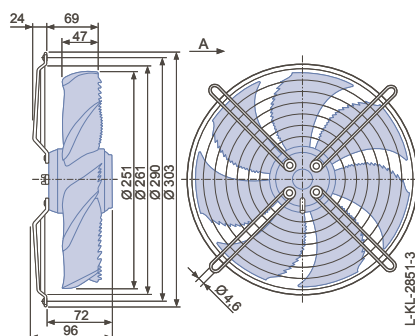
Dimensions [mm]

Airflow direction A

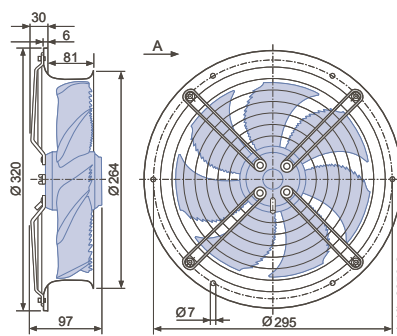
Design W - axial bolted, mounting for short bell mouth E



Design D - axial bolted, suspension for full bell mouth Q and L



Design L - round, full bell mouth



Performance data

Type	Characteristic curve	Voltage	Operating point	Current	Motor input power	Speed	Suction side sound power level
		U [V]		I [A]	P ₁ [W]	n [min ⁻¹]	
FN025-4E_W8_7	I	230	①	0.24	50	1330	
		230*	②	0.24*	48*	1370*	62
		230	③	0.23	46	1400	58
	II	170	④	0.19	32	1210	
		170	⑤	0.17	28	1280	60
		170	⑥	0.16	26	1340	56
	III	135	⑦	0.18	24	1030	
		135	⑧	0.16	22	1150	57
		135	⑨	0.14	19	1250	55
	IV	110	⑩	0.17	18	820	
		110	⑪	0.16	17	960	52
		110	⑫	0.14	15	1110	51

*rated data

Fan ordering information

Airflow direction A			Airflow direction V			
Design	W	D	L	K	H	I
Type	FN025-4EW.W8.A7	FN025-4ED.W8.A7	FN025-4EL.W8.A7	FN025-4EK.W8.V7	FN025-4EH.W8.V7	FN025-4EI.W8.V7
Article no.	139726	139712	139719	139754	139747	139740
Weight [kg]	2.50	2.30	3.30	2.50	3.30	2.30

Control technology

<p>Frequency inverter Fcontrol 1~</p> <p>Page 552</p>	<p>Motor protection units 1~</p> <p>Page 596</p>	<p>Transformer-based controllers 1~</p> <p>Page 587</p>	<p>Electronic voltage controllers 1~</p> <p>Page 562</p>
---	--	---	--

Airflow direction V

Design K - axial bolted, mounted for short bell mouth E

Design H - pipe sockets with a flange

Design I - axial bolted, mounting for bell mouth flange for pipe socket H or full bell mouth Q or L

