

# FE2owlet-ECblue

for single phase alternating current, 200-277 V

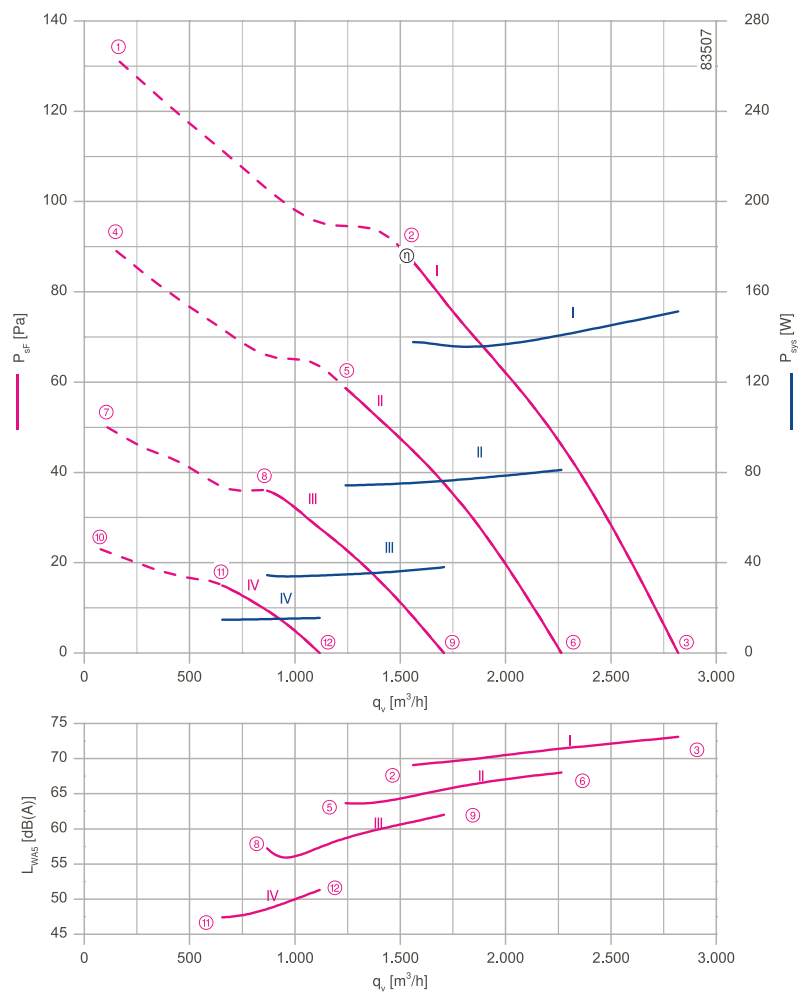
FNO30



## Description

Motor technology: EC  
 Rated voltage U: 1~ 200-277 V\*  
 Rated frequency f: 50/60 Hz\*  
 Motor input power  $P_{sys}$ : 0.15 kW\*  
 Rated current I: 1.15- 0.84 A\*  
 Rated speed  $n_{max}$ : 1900 min<sup>-1</sup>\*  
 Thermal class: THCL155\*  
 Min. permitted conveyor temperature  $t_{R(min)}$ : -25 °C  
 Max. permitted conveyor temperature  $t_{R(max)}$ : 60 °C  
 Electrical connection: Integrated controller with attached cable  
 Number of blades: 7  
 Protection class: IP44  
 Motor protection: Integrated active temperature management  
 Blades: High Performance Composite Material, uncoated, black  
 Rotor: Steel, 1 coat paint, Ultramarine blue  
 Conformity: ErP 2015, CE  
**ErP Data**  
 Efficiency  $\eta_{statA}$ : 32.0 %  
 Efficiency:  $N_{actual} = 43.7 / N_{target} = 40^{**}$   
 EC controller integrated  
 \* Rated data  
 \*\*ErP 2015

## Characteristic curve



Measured in full bell mouth without guard grille in installation type A according to ISO 5801.

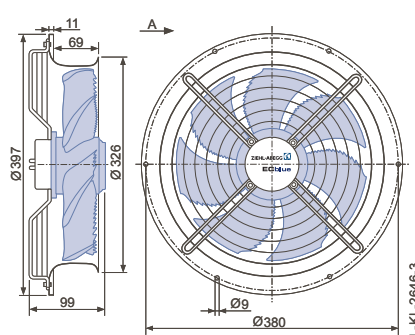
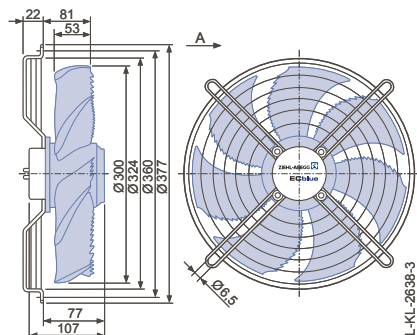
- Connection diagram KT00036A Page 606
- System components Page 524

## Dimensions [mm]

Airflow direction A

Design D - axial bolted, suspension for full bell mouth Q and L

Design L - round, full bell mouth








Performance data

Type	Characteristic curve	Torque	Operating point	Current	Motor input power	Suction side sound power level
		%		I [A]	P <sub>sys</sub> [W]	L <sub>WA5</sub> [dB]
FN030-6I_0E_7	I	100	①	0.82	120	
		100	②	0.92	140	69
		100	③	1.00	150	73
	II	80	④	0.48	70	
		80	⑤	0.52	75	64
		80	⑥	0.58	80	68
	III	60	⑦	0.26	32	
		60	⑧	0.27	34	57
		60	⑨	0.29	38	62
	IV	40	⑩	0.14	14	
		40	⑪	0.15	15	47
		40	⑫	0.15	16	51

Current values determined at 230V

Fan ordering information

Airflow direction A		Airflow direction V			
Design	D	L	K	H	I
					
Type	FN030-6ID.0E.A7	FN030-6IL.0E.A7	FN030-6IK.0E.V7	FN030-6IH.0E.V7	FN030-6II.0E.V7
Article no.	140031	140035	140051	140047	140043
Weight [kg]	3.70	5.30	3.90	5.30	3.70

Control technology

Control module



Page 544

Airflow direction V

Design K - axial bolted, mounted for short bell mouth E

Design H - pipe sockets with a flange

Design I - axial bolted, mounting for bell mouth flange for pipe socket H or full bell mouth Q or L

