

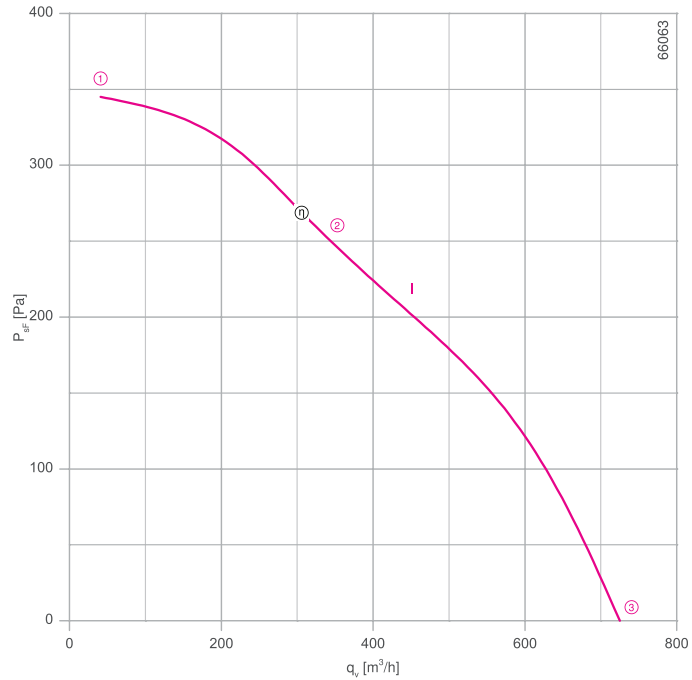
S-series

for single phase alternating current, 2 pole

RD 13S-2E



Characteristic curve



Measured in housing from ZIEHL-ABEGG.

Description

Motor technology: AC
 Rated voltage U_N : 1~ 230 V*
 Rated frequency f_N : 50 Hz* (60Hz data available)
 Motor input power P_1 : 0.17 kW*
 Rated current I_N : 0.75 A*
 Rated speed n_N : 1550 min⁻¹*
 Current increase ΔI : 0 %
 Service capacitor C_{400V} : 4.0 μ F
 Thermal class: **THCL130***
 Min. permitted ambient temperature $t_{R(min)}$: -20 °C
 Max. permitted ambient temperature $t_{R(max)}$: 55 °C
 Motor protection: thermal contact
 Impeller : Impeller made of galvanised sheet metal, uncoated
 Conformity: CE

ErP-data

Not subject to ErP regulations ($P_1 < 125$ W)

* Rated data

- Connection diagram
- System components

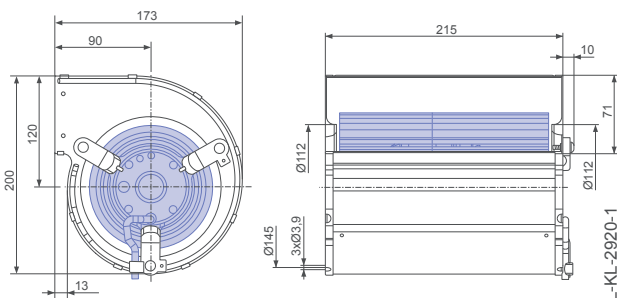
1360-177X

Page 368

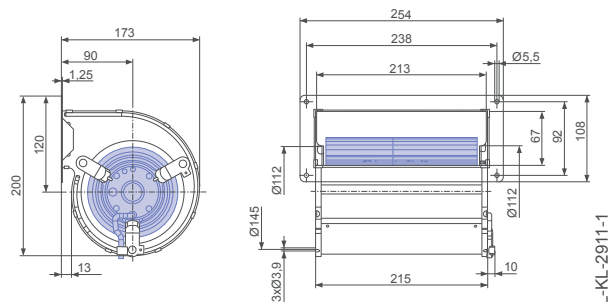
Page 262

Dimensions [mm]

Fan with housing, double inlet
without flange



Fan with housing, double inlet
with flange

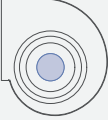



Performance data

Type	Characteristic curve	Voltage	Operating point	Current	Motor input power	Speed	Suction side sound power level
		U [V]		I [A]	P _i [W]	n [min ⁻¹]	L _{WAS} [dB]
RD13S-2EP.WC.1R	I	230	①	0.44	100	2750	
		230	②	0.53	120	2550	68
		230*	③	0.75*	170*	1550*	67

*rated data

Fan ordering information

Design	RD (without flange)	RD (with flange)
Installation position	H	H
Electrical connection	Variable cable 35 cm from housing	Variable cable 35 cm from housing
		
Type	RD13S-2EP.WC.1R	RD13S-2EP.WC.1R
Article no.	113143	113078
Weight [kg]	4.10	4.30
Electrical connection		

Control technology

<p>Frequency inverter Fcontrol 1~</p>  <p>➤ Page 296</p>	<p>Motor protection units 1~</p>  <p>➤ Page 344</p>	<p>Transformer-based controllers 1~</p>  <p>➤ Page 334</p>	<p>Electronic voltage controllers 1~</p>  <p>➤ Page 310</p>
---	--	---	---

