

# S-series

for single phase alternating current, 2 pole

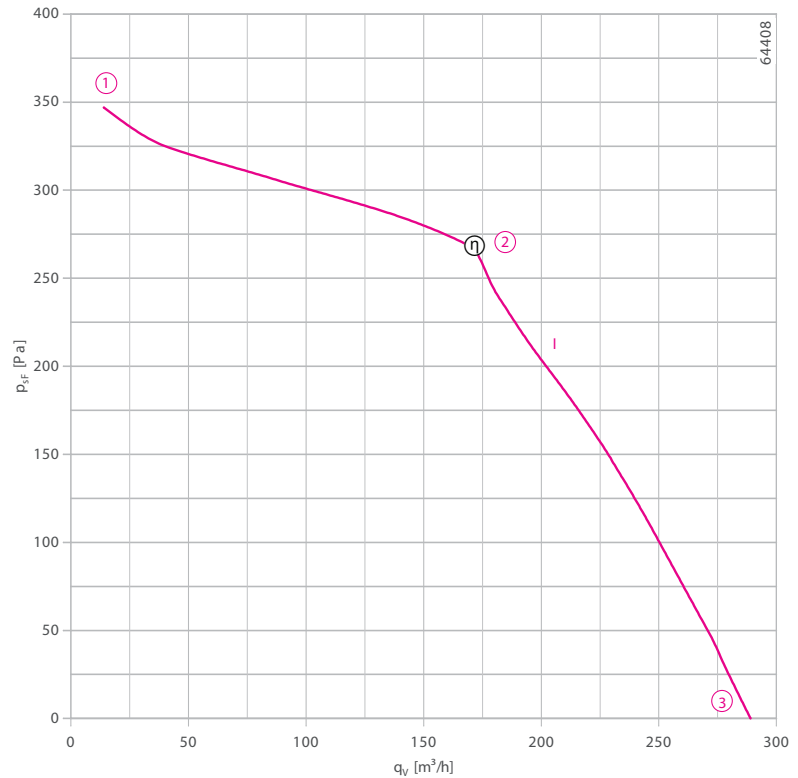
RG 12S-2E



## Description

Motor technology: AC  
 Rated voltage  $U_N$ : 1~ 230 V\*  
 Rated frequency  $f_N$ : 50 Hz\* (60Hz data available)  
 Motor input power  $P_1$ : 0.09 kW\*  
 Rated current  $I_N$ : 0.36 A\*  
 Rated speed  $n_N$ : 2390 min<sup>-1</sup>\*  
 Current increase  $\Delta I$ : 0 %  
 Service capacitor  $C_{400V}$ : 2.0  $\mu$ F  
 Dynamic pressure:  $p_{d2} = 3.4 \cdot 10^{-3} \cdot q_v^2$  [Pa]  
 Thermal class: **THCL155**\*  
 Min. permitted ambient temperature  $t_{R(min)}$ : -40 °C  
 Max. permitted ambient temperature  $t_{R(max)}$ : 60 °C  
 Motor protection: Thermal contact  
 Impeller : Galvanised sheet metal, uncoated  
 Housing: Housing unpainted  
 Conformity: CE  
**ErP-data**  
 Not subject to ErP regulations ( $P_1 < 125$  W)  
 \* Rated data

## Characteristic curve



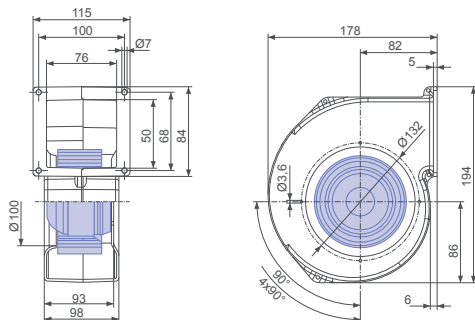
Measured in housing from ZIEHL-ABEGG.

- Connection diagram
- System components

1360-177X SW Page 368  
Page 262

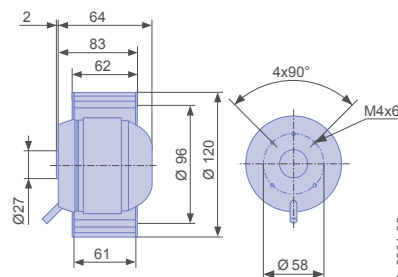
## Dimensions [mm]

Fan with housing, single inlet, with flange



L-KL-2909-1

Motorised impeller



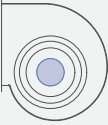

L-KL-3001-08

### Performance data

Type	Characteristic curve	Voltage	Operating point	Current	Motor input power	Speed	Suction side sound power level
		U [V]		I [A]	P <sub>i</sub> [W]	n [min <sup>-1</sup> ]	L <sub>WAS</sub> [dB]
RG12S-2EP.W6.AR	I	230	①	0.32	58	2830	
		230	②	0.32	66	2660	64
		230*	③	0.36*	85*	2390*	69

\*rated data

### Fan ordering information

Design	RG (with flange)	RE
Installation position	H/Vu/Vo	H/Vu/Vo
Electrical connection	Connecting cable axial 45cm	Supply cable variable 45cm
		
<b>Type</b>	<b>RG12S-2EP.W6.AR</b>	<b>RE12P-2EP.W6.1R</b>
<b>Article no.</b>	<b>113069</b>	<b>113053-M</b>
Weight [kg]	2.10	1.32

### Control technology

Frequency inverter Fcontrol 1~  ↗ Page 296	Motor protection units 1~  ↗ Page 344	Transformer-based controllers 1~  ↗ Page 334	Electronic voltage controllers 1~  ↗ Page 310
---	--	---	---

Information

RM..D-ECblue

RM..D

RG..R-ECblue

RG/RD..P

RG/RD..S

System components

Control technology

General notes