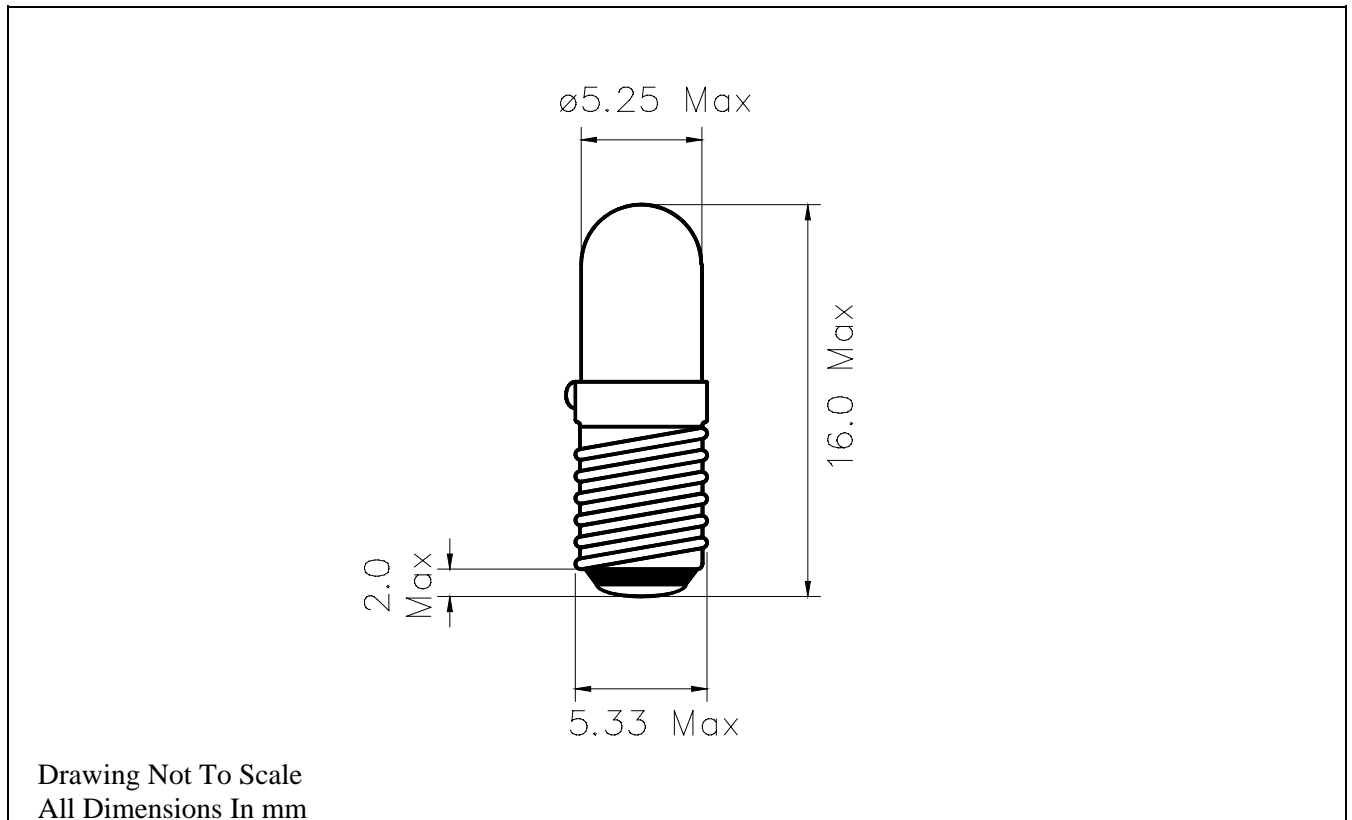


**PRODUCT  
DATA SHEET**

Type	Size	Rating	Description	Part No.
Incandescent	T5	28V 0.04A	T-1½ Midget Screw Lamp	688



**PHOTOMETRY DATA**

TEST VOLTS	CURRENT (mA)			LIGHT OUTPUT (Lm)			LIFE (Hours)
	Min.	Nom.	Max.	Min.	Nom.	Max.	
28.0	36	40	44	3.4	4.5	5.6	4,000

**NOTES:**

- 1) Lamp Base E5 (LES) in accordance with IEC61-1 (BS EN 60061-1), sheet 7004-25-x.
- 2) C-2F filament shape.
- 3) Lamp Marking: "VCH 688 28V 40mA", to be engraved on the cap shell. Other marking as according to purchase order.
- 4) Applicable External Specifications: BS1050 (7/9)

Issue No.	Date	C.N. No.	Drawn	Tech	QA	M & P	Sales
2	18/8/98	A060	NR				