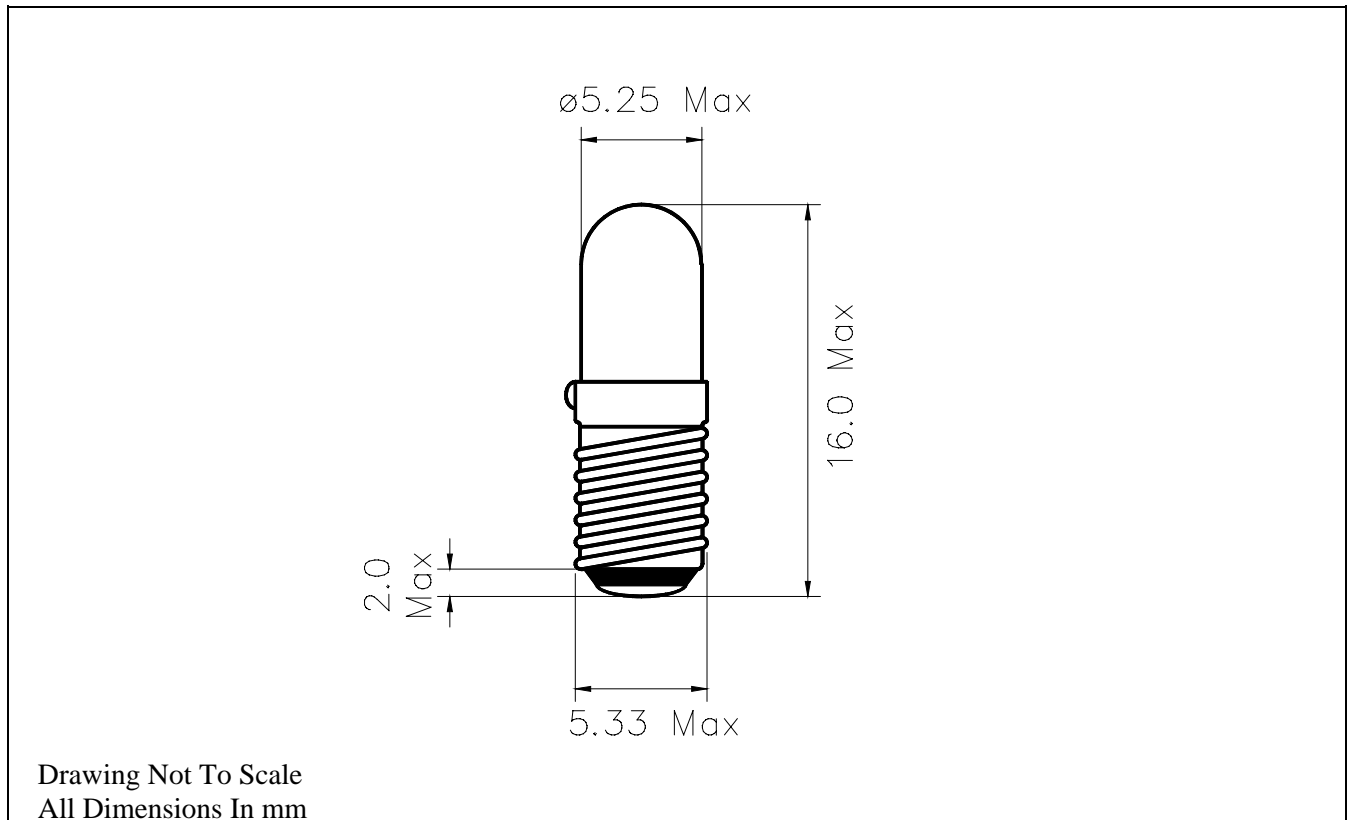


**PRODUCT
DATA SHEET**

Type	Size	Rating	Description	Part No.
Incandescent	T5	6V 0.055A	T-1½ Midget Screw Lamp	673



PHOTOMETRY DATA

TEST VOLTS	CURRENT (mA)			LIGHT OUTPUT (Lm)			LIFE (Hours)
	Min.	Nom.	Max.	Min.	Nom.	Max.	
6.0	50	55	60	0.8	1.0	1.2	10,000

NOTES:

- 1) Lamp Base E5 (LES) in accordance with IEC61-1 (BS EN 60061-1) , sheet 7004-25-x.
- 2) C-2R filament shape.
- 3) Lamp Marking: “VCH 673 6V 55mA”, to be engraved on the cap shell. Other marking as according to purchase order.
- 4) Applicable external specifications: BS1050. (7/2)

Issue No.	Date	C.N. No.	Drawn	Tech	QA	M & P	Sales
1	18/8/98		NR				