

PLEASE CHECK WWW.MOLEX.COM FOR LATEST PART INFORMATION

Part Number: [0395321008](#)
Status: **Active**
Overview: Eurostyle™ Terminal Blocks
Description: 5.08mm Pitch Eurostyle™ Horizontal PCB Header, 8 Circuits

Documents:

[3D Model](#) [Product Specification PS-39500-001 \(PDF\)](#)
[Drawing \(PDF\)](#) [RoHS Certificate of Compliance \(PDF\)](#)

General

Product Family	Terminal Blocks
Series	39532
Application	N/A
Component Type	PCB Header
MolexKits	Yes
Overview	Eurostyle™ Terminal Blocks
Product Name	ESE, Eurostyle™ Pluggable
Type	Euro Block
UPC	822350506595

Physical

Circuits (Loaded)	8
Entry Angle	N/A
Lock to Mating Part	Yes
Net Weight	3.809/g
Number of Rows	1
Orientation	Horizontal
PC Tail Length	5.08mm
PCB Thickness - Recommended	3.18mm
Panel Mount	No
Pitch - Mating Interface	5.08mm
Pitch - Termination Interface	5.08mm
Polarized to Mating Part	Yes
Shrouded	Closed Ends
Stackable	No
Surface Mount Compatible (SMC)	N/A
Temperature Range - Operating	-40°C to +105°C
Wire Size AWG	N/A

Electrical

Current - Maximum per Contact	15.0A
Voltage - Maximum	300V

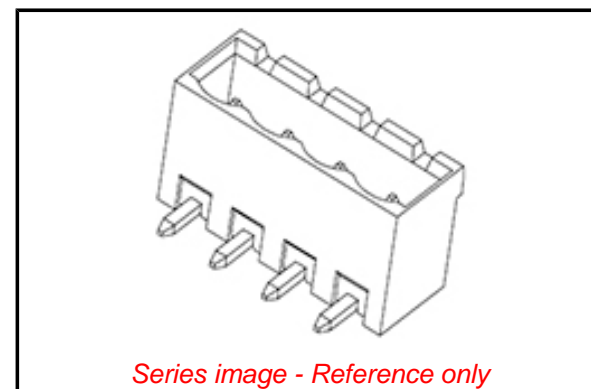
Solder Process Data

Lead-freeProcess Capability	N/A
-----------------------------	-----

Material Info

Reference - Drawing Numbers

Product Specification	PS-39500-001, RPS-39500-001
Sales Drawing	SD-39532-002



EU ELV

Not Relevant

EU RoHS

Compliant

REACH SVHC

Contained Per -
ED/108/2014 (17 Dec
2014)

Halogen-Free

Status

Low-Halogen

Need more information on product environmental compliance?

Email productcompliance@molex.com
Please visit the [Contact Us](#) section for any non-product compliance questions.

China ROHS
ELV

Green Image
Not Relevant

Search Parts in this Series

[39532](#) Series

Mates With

[39530](#) Horizontal Plug, [39533](#) Vertical Plug,
Most 5.08mm Pitch Industry Standard Plugs