

PLEASE CHECK WWW.MOLEX.COM FOR LATEST PART INFORMATION

Part Number: [0003121022](#)
Status: **Active**
Description: 3.18mm Diameter, HCS125, Pin and Socket Receptacle Housing, 2 Circuits, Single Row, with and without Panel Mount Ears

Documents:

[3D Model](#) [RoHS Certificate of Compliance \(PDF\)](#)
[Drawing \(PDF\)](#)

Agency Certification

CSA LR19980
 UL E29179

General

Product Family Crimp Housings
 Series [4306](#)
 Application Power, Wire-to-Wire
 Product Name HCS-125
 UPC 800754232661

Physical

Circuits (maximum) 2
 Color - Resin Natural
 Flammability 94V-2
 Gender Dual
 Glow-Wire Compliant No
 Material - Resin Nylon
 Net Weight 1.961/g
 Number of Rows 1
 Packaging Type Bag
 Panel Mount No
 Pitch - Mating Interface 7.11mm
 Stackable No
 Temperature Range - Operating -40°C to +105°C

Electrical

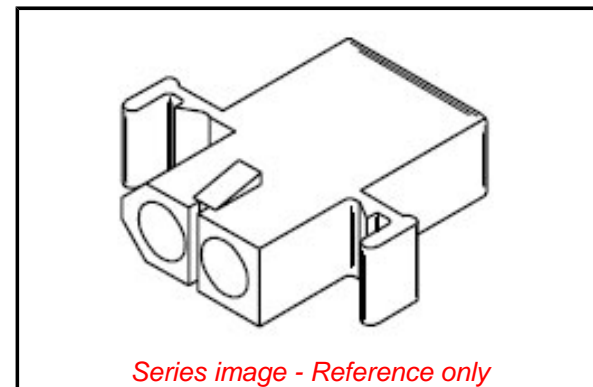
Current - Maximum per Contact 20.0A

Material Info

Old Part Number 4306R1

Reference - Drawing Numbers

Sales Drawing SD-4306-*



EU ELV

Not Relevant

EU RoHS

Compliant

REACH SVHC

Not Contained Per
 -ED/79/2015 (17
 December 2015)

Halogen-Free

Status

Low-Halogen

**Need more information on product
 environmental compliance?**

Email productcompliance@molex.com
 Please visit the [Contact Us](#) section for any
 non-product compliance questions.

China ROHS

ELV

Green Image

Not Relevant

Search Parts in this Series

[4306 Series](#)

Mates With

[04306](#)

Use With

[8947](#) , [1900](#) male crimp terminals, [1901](#) ,
[2046](#) , [2047](#) , [42546](#) , [42547](#) , [42554](#) , [42555](#)
 , [8946](#)

PLEASE CHECK WWW.MOLEX.COM FOR LATEST PART INFORMATION