

bq500215 bqTESLA Wireless Power TX EVM

The bqTESLA™ wireless power transmitter evaluation module from Texas Instruments is a high-performance, easy-to-use development module for the design of wireless power solutions. The bq500215 EVM evaluation module (EVM) provides all the basic functions of a Qi-compliant, wireless charger pad. The 12-V input, single coil transmitter enables designers to speed the development of their end-applications. The EVM supports both the WPC 1.0 and WPC 1.1 receivers and will support output power up to 5 W. The bq500215 EVM will operate with any Qi WPC 1.1 RX. When paired with the bq51025 RX EVM (bq51025EVM-649), receiver output power of up to 10 W is possible.

Contents

1	Applications.....	2
2	bq500215EVM-648 Electrical Performance Specifications.....	2
3	Modifications.....	3
4	Connector and Test Point Descriptions.....	3
	4.1 Input/Output Connections.....	3
	4.2 Test Point Descriptions	4
5	Schematic and Bill of Materials	7
6	Test Setup.....	12
	6.1 Equipment.....	12
	6.2 Equipment Setup	13
7	bq500215EVM-648 Assembly Drawings and Layout.....	17
8	Reference	20

List of Figures

1	bq500215EVM-648 Schematic, Page 1 of 3	7
2	bq500215EVM-648 Schematic, Page 2 of 3	8
3	bq500215EVM-648 Schematic, Page 3 of 3	9
4	Equipment Setup	13
5	Efficiency versus Power, bq500215EVM-648 Transmitter and bq51025EVM-649 Receiver	14
6	Start Up.....	15
7	Thermal Performance.....	16
8	Assembly Top.....	17
9	Top Silk	18
10	Top Layer.....	18
11	Inner Layer 1.....	19
12	Inner Layer 2.....	19
13	Bottom Layer.....	20

List of Tables

1	bq500215EVM-648 Electrical Performance Specifications.....	2
2	Bill of Materials	10

1 Applications

The bq500215EVM-648 evaluation module demonstrates the transmitter portion of the bqTESLA™ wireless power system. This transmitter EVM is a complete transmitter-side solution that powers a bqTESLA receiver. The EVM requires a single 12-V power supply capable of up to 2.0 A to operate and combines the transmitter electronics, input power circuit, LED indicators, and the transmitting coil on the single printed-circuit board (PCB). The open design allows easy access to key points of the electrical schematic.

This EVM has the following features:

- Proprietary 10 W charging capability with TI's bq51025 receiver
- Qi-Certified WPC1.1 solution for 5-W operation
- 12-V input and fixed operating frequency
- Enhanced Foreign Object Detection (FOD) with FOD ping detecting objects prior to power transfer
- WPC 1.1 FOD and WPC 1.0 Parasitic Metal Object Detection (PMOD)
- Transmitter-coil mounting pad providing the correct receiver interface
- Compact power section design using the CSD97374 NexFET power stage
- Standard WPC A29-type transmitter coil with no magnet
- LED and audio indication of power transfer

2 bq500215EVM-648 Electrical Performance Specifications

Table 1 provides a summary of the EVM performance specifications. All specifications are given for an ambient temperature of 25°C.

Table 1. bq500215EVM-648 Electrical Performance Specifications

Parameter		Notes and Conditions	Min	Typ	Max	Unit
Input Characteristics						
V_{IN}	Input voltage		11.50	12.0	12.5	V
I_{IN}	Input current	$V_{IN} = \text{Nom}$, $I_{OUT} = 1.4 \text{ A}$ at 7 V		1.0		A
	Input no-load current	$V_{IN} = \text{Nom}$, $I_{OUT} = 0 \text{ A}$		90		mA
	Input stand-by current	$V_{IN} = \text{Nom}$		4		mA
Output Characteristics – Receiver bq51025EVM-649						
V_{OUT}	Output voltage	$V_{IN} = \text{Nom}$, $I_{OUT} = 1.4 \text{ A}$, $V_{OUT} = 7 \text{ V}$	6.7	7.0	7.3	V
	Output ripple	$V_{IN} = \text{Nom}$, $I_{OUT} = 1.0 \text{ A}$, $V_{OUT} = 7 \text{ V}$			200	mV _{pp}
I_{OUT}	$V_{IN} = \text{Min to Max}$	$V_{IN} = \text{Min to Max}$, $V_{OUT} = 7 \text{ V}$	0		1.4	A
Systems Characteristics						
F_S	Switching frequency	During power transfer		130		kHz
η_{pk}	Peak efficiency	$V_{IN} = \text{Nom}$, P Out RX = 7.0 W		81		%
η	Full-load efficiency	$V_{IN} = \text{Nom}$, $I_{OUT} = \text{Max}$		80		%

3 Modifications

See the datasheet ([SLUSBZ1](#)) when changing components.

Use LED Mode – Resistor R9 to change the behavior of the status LED, D5, D7, and D9. The standard value is 100 k Ω for control option 7, see the datasheet for additional settings.

NTC – Connector JP3 provides the option for connecting a negative temperature coefficient (NTC) sensor for thermal protection, see the datasheet for additional settings.

FOD – R8 threshold and R49 FOD_Cal (see [Section 6.2.2.7](#))

FOD_Ping – R47 and R48 (see [Section 6.2.2.7](#))

PMOD – R16 threshold and disable (see [Section 6.2.2.7](#))

4 Connector and Test Point Descriptions

4.1 Input/Output Connections

The connection points are described in [Section 4.1.1](#) through [Section 4.1.5](#).

4.1.1 J1 – V_{IN}

Input power 12 V \pm 500 mV, return at J2.

4.1.2 J2 – GND

Return for input power, input at J1.

4.1.3 J3 – JTAG

Factory use only.

4.1.4 J4 – Serial Interface

I²C interface connection to communicate with the IC. Used with bqTESLA TX Tuning Tool to monitor behavior.

4.1.5 JP1 – FOD / PMOD Enable

Shorting jumper must be installed to enable FOD and PMOD functions. See the datasheet for additional details.

4.1.6 JP2 – LED Mode

External connection for LED MODE resistor, if R9 is removed. When shorted, IC will disable LED and inhibit low power mode, useful for troubleshooting

4.1.7 JP3 – NTC

The connection point for the external temperature sensor. See the datasheet for more information.

4.2 Test Point Descriptions

The test points are described in [Section 4.2.1](#) through [Section 4.2.32](#).

4.2.1 TP1 – FP_RES

FOD ping circuit setting, see data sheet for more information.

4.2.2 TP2 – Drive A

Output from Power Section A of H-Bridge, U2.

4.2.3 TP3 – Coil Monitor L / C

Coil signal at junction between transmitter coil and resonant capacitors.

4.2.4 TP4 – Low Noise Analog Ground

Low noise ground test point (TP)

4.2.5 TP5 – Low Noise Analog Ground

Low noise ground TP

4.2.6 TP6 – Unused IC Pin 27

Low noise ground TP

4.2.7 TP7 – Demodulation Comm + Output

Primary communications channel, input to bq500215, U1 from demodulation circuit.

4.2.8 TP8 – I_Sense

Input current-sense voltage, scale 1 V = 1 A.

4.2.9 TP9 – RAIL+

Sample voltage from rail converter output, input to bq500215 rail control ckt .

4.2.10 TP10 – Unused IC Pin 29

Unused pin.

4.2.11 TP11 – Unused IC Pin 57

Unused pin.

4.2.12 TP12 – Low Noise Analog Ground

Low noise ground TP

4.2.13 TP13 – Unused IC Pin 56

Unused pin.

4.2.14 TP14 – FP_DECAY

FOD ping circuit setting, see data sheet for more information.

4.2.15 TP15 – Drive B

Output from Power Section B of H-Bridge, U3.

4.2.16 TP16 – FOD_Cal

FOD calibration resistor test point, connected to pin 22 of bq500215.

4.2.17 TP17 – Low Noise Analog Ground

Low noise ground TP

4.2.18 TP18 – Rail Output Voltage

Output voltage from rail buck converter that feeds H-Bridge Power Section.

4.2.19 TP19 – PWM_RAIL

Digital input to rail converter Power Section from bq500215. Signal is PWM, used to control rail voltage.

4.2.20 TP20 – DPWM-A Signal

Digital output signal from bq500215 to H-Bridge drive for U2.

4.2.21 TP21 – DPWM-B Signal

Digital output signal from bq500215 to H-Bridge drive for U3.

4.2.22 TP22 – BUZ_DC

DC output when power transfer is started. Can be used to drive a DC style buzzer or LED. See data sheet for more information.

4.2.23 TP23 – Unused IC Pin 28

Unused pin.

4.2.24 TP24 – Unused IC Pin 6

Unused pin.

4.2.25 TP25 – Unused IC Pin 5

Unused pin.

4.2.26 TP26 – Unused IC Pin 4

Unused pin.

4.2.27 TP27 – Unused IC Pin 34

Unused pin.

4.2.28 TP28 – Unused IC Pin 35

Unused pin.

4.2.29 TP29 – Unused IC Pin 41

Unused pin.

4.2.30 TP30 – Unused IC Pin 42

Unused pin.

4.2.31 TP31 – V33FB

Reserved, leave this pin open.

4.2.32 TP32 – Unused IC Pin 33

Unused pin.

5 Schematic and Bill of Materials

This section includes the schematics and bill of materials for the EVM.

Figure 1 through Figure 3 illustrate the schematics for this EVM.

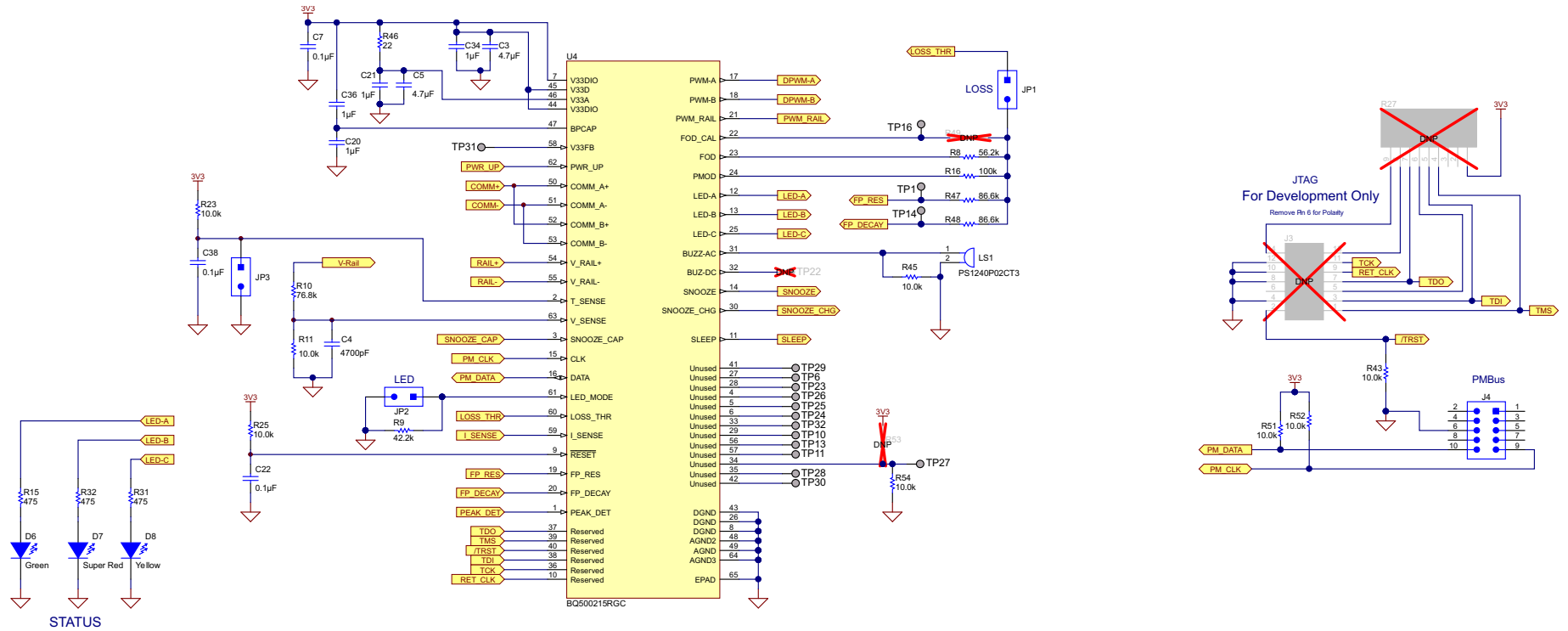


Figure 1. bq500215EVM-648 Schematic, Page 1 of 3

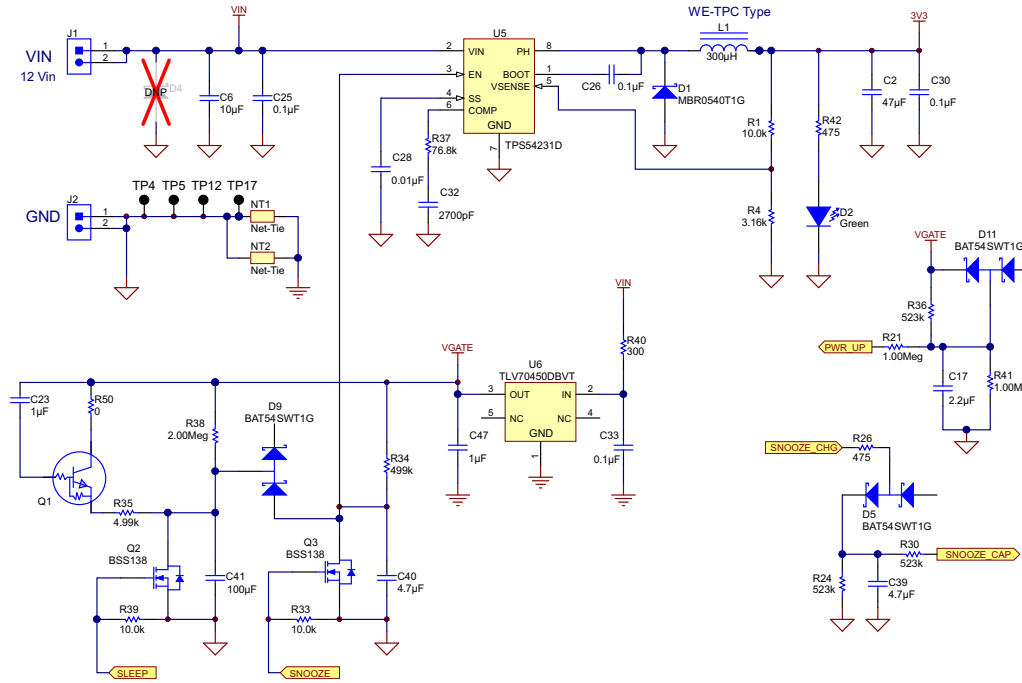


Figure 3. bq500215EVM-648 Schematic, Page 3 of 3

Table 2 contains the BOM for this EVM.

Table 2. Bill of Materials⁽¹⁾

Designator	Qty	Value	Description	Package Reference	Part Number	Manufacturer
C1, C9, C13, C20, C21, C34, C36, C47	8	1uF	CAP, CERM, 1uF, 16V, +/-10%, X7R, 0603	0603	GRM188R71C105KA12D	MuRata
C2	1	47uF	CAP, CERM, 47uF, 6.3V, +/-10%, X5R, 1206	1206	GRM31CR60J476KE19L	MuRata
C3, C5, C39, C40	4	4.7uF	CAP, CERM, 4.7uF, 10V, +/-10%, X5R, 0603	0603	CGB3B1X5R1A475K055AC	TDK
C4, C18	2	4700pF	CAP, CERM, 4700pF, 50V, +/-10%, X7R, 0603	0603	GRM188R71H472KA01D	MuRata
C6, C27	2	10uF	CAP, CERM, 10uF, 35V, +/-10%, X7R, 1210	1210	GRM32ER7YA106KA12L	MuRata
C7, C12, C15, C22, C25, C26, C29, C30, C33, C38, C48, C49	12	0.1uF	CAP, CERM, 0.1uF, 50V, +/-10%, X7R, 0603	0603	GRM188R71H104KA93D	MuRata
C8	1	47uF	CAP, TA, 47uF, 16V, +/-20%, 0.6 ohm, SMD	3528	F951C476MBAAQ2	AVX
C10, C19	2	0.1uF	CAP, CERM, 0.1uF, 100V, +/-5%, C0G/NP0, 1812	1812	C1812C104J1GACTU	Kemet
C14	1	33pF	CAP, CERM, 33pF, 50V, +/-5%, C0G/NP0, 0603	0603	GRM1885C1H330JA01D	MuRata
C16	1	0.047uF	CAP, CERM, 0.047uF, 100V, +/-5%, C0G/NP0, 1812	1812	C4532C0G2A473J200KA	TDK
C17	1	2.2uF	CAP, CERM, 2.2uF, 25V, +/-10%, X5R, 1206	1206	GRM316R61E225KA12D	MuRata
C23, C46	2	1uF	CAP, CERM, 1uF, 16V, +/-10%, X7R, 0603	0603	C1608X7R1C105K	TDK
C24, C31	2	47uF	CAP, CERM, 47uF, 25V, +/-20%, X5R, 1206	1206	C3216X5R1E476M160AC	TDK
C28, C35	2	0.01uF	CAP, CERM, 0.01uF, 50V, +/-10%, X7R, 0603	0603	GRM188R71H103KA01D	MuRata
C32	1	2700pF	CAP, CERM, 2700pF, 50V, +/-5%, C0G/NP0, 0603	0603	GRM1885C1H272JA01D	MuRata
C37	1	330pF	CAP, CERM, 330pF, 50V, +/-5%, C0G/NP0, 0603	0603	GRM1885C1H331JA01D	MuRata
C41	1	100uF	CAP, CERM, 100uF, 6.3V, +/-20%, X5R, 1206	1206	GRM31CR60J107ME39L	MuRata
D1	1	40V, 0.5A	Diode, Schottky, 40V, 0.5A, SOD-123	SOD-123	MBR0540T1G	ON Semiconductor
D2, D6	2	Green	LED, Green, SMD	LED_0603	150060VS75000	Würth Elektronik eiSos
D3, D5, D9, D10, D11	5	30V	Diode, Schottky, 30V, 0.2A, SOT-323	SOT-323	BAT54SWT1G	Fairchild Semiconductor
D7	1	Super Red	LED, Super Red, SMD	LED_0603	150060SS75000	Würth Elektronik eiSos
D8	1	Yellow	LED, Yellow, SMD	LED_0603	150060YS75000	Würth Elektronik eiSos
L1	1	300uH	Inductor, Shielded, 300uH, 0.13A, 4.1 ohm, SMD	4.8x1.8x4.8mm	744042331	Würth Elektronik eiSos
L2	1	10uH	Inductor, Shielded Drum Core, Ferrite, 10uH, 2.6A, 0.0515 ohm, SMD	10x3x10mm	7447713100	Würth Elektronik eiSos
L3	1	10uH	Inductor, Wirewound, 10uH, 9A, 0.028 ohm, TH	54.4x6.5x54.4mm	760308141	Würth Elektronik eiSos
LS1	1		Buzzer, Piezo, 4kHz, 12.2mm, TH	12.2x4.0mm	PS1240P02CT3	TDK
Q1	1	DTC114Y UA	Transistor, Digital NPN, 50 V, 100 mA	SC-70	DTC114YUAT-106	Rohm
Q2, Q3	2	50V	MOSFET, N-CH, 50V, 0.22A, SOT-23	SOT-23	BSS138	Fairchild Semiconductor
R1, R3, R5, R11, R23, R25, R33, R39, R43, R45, R51, R52	12	10.0k	RES, 10.0k ohm, 1%, 0.1W, 0603	0603	CRCW060310K0FKEA	Vishay-Dale
R2	1	130k	RES, 130k ohm, 1%, 0.1W, 0603	0603	CRCW0603130KFKEA	Vishay-Dale
R4	1	3.16k	RES, 3.16k ohm, 1%, 0.1W, 0603	0603	CRCW06033K16FKEA	Vishay-Dale
R6	1	200k	RES, 200k ohm, 1%, 0.1W, 0603	0603	CRCW0603200KFKEA	Vishay-Dale
R35	1	4.99k	RES, 4.99k ohm, 1%, 0.1W, 0603	0603	CRCW06034K99FKEA	Vishay-Dale
R8	1	56.2k	RES, 56.2 k, 1%, 0.1 W, 0603	0603	CRCW060356K2FKEA	Vishay-Dale

⁽¹⁾ Unless otherwise noted in the Alternate PartNumber and/or Alternate Manufacturer columns, all parts may be substituted with equivalents.

Table 2. Bill of Materials⁽¹⁾ (continued)

Designator	Qty	Value	Description	Package Reference	Part Number	Manufacturer
R9, R16	2	100k	RES, 100k ohm, 1%, 0.1W, 0603	0603	CRCW0603100KFKEA	Vishay-Dale
R10, R37	2	76.8k	RES, 76.8k ohm, 1%, 0.1W, 0603	0603	CRCW060376K8FKEA	Vishay-Dale
R7, R17, R12, R13, R19, R20, R29	7	10.0	RES, 10.0 ohm, 1%, 0.1W, 0603	0603	CRCW060310R0FKEA	Vishay-Dale
R14	1	23.2k	RES, 23.2k ohm, 1%, 0.1W, 0603	0603	CRCW060323K2FKEA	Vishay-Dale
R15, R26, R31, R32, R42	5	475	RES, 475 ohm, 1%, 0.1W, 0603	0603	CRCW0603475RFKEA	Vishay-Dale
R18, R21, R41	3	1.00Meg	RES, 1.00Meg ohm, 1%, 0.1W, 0603	0603	CRCW06031M00FKEA	Vishay-Dale
R22	1	1.00k	RES, 1.00k ohm, 1%, 0.1W, 0603	0603	CRCW06031K00FKEA	Vishay-Dale
R24, R30, R36	3	523k	RES, 523k ohm, 1%, 0.1W, 0603	0603	CRCW0603523KFKEA	Vishay-Dale
R28	1	0.02	RES, 0.02 ohm, 0.5%, 0.5W, 1206	1206	LVK12R020DER	Ohmite
R34	1	499k	RES, 499k ohm, 1%, 0.1W, 0603	0603	CRCW06034993KFKEA	Vishay-Dale
R38	1	2.00Meg	RES, 2.00Meg ohm, 1%, 0.1W, 0603	0603	CRCW06032M00FKEA	Vishay-Dale
R40	1	300	RES, 300 ohm, 5%, 0.1W, 0603	0603	CRCW0603300RJNEA	Vishay-Dale
R46	1	22	RES, 22 ohm, 0.5%, 0.1W, 0805	0805	RR1220Q-220-D	Susumu Co Ltd
R47, R48	2	86.6k	RES, 86.6 k, 1%, 0.1 W, 0603	0603	CRCW060386K6FKEA	Vishay-Dale
R49	0	Open	Open	0603	Open	
R50	1	0	RES, 0 ohm, 5%, 0.1W, 0603	0603	CRCW0603000Z0EA	Vishay-Dale
R53	0	Open	Res, 10.0k ohm, 1%, 0.1W, 0603	0603	CRCW060310K0FKEA	Vishay-Dale
R54	1	10.0k	Res, 10.0k ohm, 1%, 0.1W, 0603	0603	CRCW060310K0FKEA	Vishay-Dale
U1, U2, U3	3		Synchronous Buck NexFET Power Stage, DPC0008A	DPC0008A	CSD97374Q4M	Texas Instruments
U4	1		10-W WPC v1.1 Compliant Wireless Power Controller, RGC0064B	RGC0064B	BQ500215RGC	Texas Instruments
U5	1		Buck Step Down Regulator with 3.5 to 28 V Input and 0.8 to 25 V Output, -40 to 150 degC, 8-Pin SOIC (D), Green (RoHS & no Sb/Br)	D0008A	TPS54231D	Texas Instruments
U6	1		Single Output LDO, 150 mA, Fixed 5 V Output, 2.5 to 24 V Input, with Ultra-Low IQ, 5-pin SOT-23 (DBV), -40 to 125 degC, Green (RoHS & no Sb/Br)	DBV0005A	TLV70450DBVT	Texas Instruments
U7	1		Voltage Output, High or Low Side Measurement, Bi-Directional Zero-Drift Series Current-Shunt Monitor, DCK0006A	DCK0006A	INA199A1DCK	Texas Instruments
C11	0	0.047uF	CAP, CERM, 0.047uF, 100V, +/-5%, C0G/NP0, 1812	1812	C4532C0G2A473J200KA	TDK
C42, C43, C44	0	47uF	CAP, CERM, 47uF, 25V, +/-20%, X5R, 1206	1206	C3216X5R1E476M160AC	TDK
C45	0	0.01uF	CAP, CERM, 0.01uF, 50V, +/-10%, X7R, 0603	0603	GRM188R71H103KA01D	MuRata
D4	0	NoPop	Diode, Schottky, 40V, 0.5A, SOD-123	SOD-123	MBR0540T1G	ON Semiconductor
R27	0	10k	RES, 10k ohm, 2%, 0.2W, TH	9x1 ResNetwork	4309R-101-103LF	Bourns
R44	0	0.51	RES, 0.51 ohm, 1%, 0.25W, 0805	0805	CRM0805-FX-R510ELF	Bourns

6 Test Setup

6.1 Equipment

6.1.1 bqTESLA™ Receiver

Use the bq51025EVM-649, 10-W EVM. If a low power Qi-compliant receiver such as bq51020EVM-520 or bq51013BEVM-764 is used, then the maximum output power will be 5 W. Note that the following test set-up only discusses the bq51025EVM-649 configuration.

6.1.2 Voltage Source

The input voltage source must provide a regulated DC voltage of 12 V and deliver at least 2.0-A continuous load current; current limit must be set to 3 A.

CAUTION

To help assure safety integrity of the system and minimize risk of electrical shock hazard, always use a power supply providing suitable isolation and supplemental insulation (double insulated). Compliance to IEC 61010-1, Safety Requirements for Electrical Equipment for Measurement, Control and Laboratory Use, Part 1, General Requirements, or its equivalent is strongly suggested, including any required regional regulatory compliance certification approvals. Always select a power source that is suitably rated for use with this EVM as referenced in this user manual.

External Power Supply Requirements:

Nom Voltage: 12.0 VDC

Max Current: 3.0 A

Efficiency Level V

External Power Supply Regulatory Compliance Certifications: Recommend selection and use of an external power supply which meets TI's required minimum electrical ratings in addition to complying with applicable regional product regulatory/safety certification requirements such as (by example) UL, CSA, VDE, CCC, PSE, and so forth.

6.1.3 Meters

Monitor the output voltage at the bq51025EVM-649 test point TP7 with a voltmeter. Monitor the input current into the load with an appropriate ammeter. You can also monitor the transmitter input current and voltage, but the meter must use the averaging function for reducing error, due to communications packets.

6.1.4 Loads

A single load is required at 7 V with a maximum current of 1.4 A. The load can be resistive or electronic.

6.1.5 Oscilloscope

Use a dual-channel oscilloscope with appropriate probes to observe the RECT signal at bq51025EVM-649 TP3 and other signals.

6.1.6 Recommended Wire Gauge

For proper operation, use 22-AWG wire when connecting the EVM to the input supply and the bq51025EVM-649 to the load.

6.2 Equipment Setup

- With the power supply OFF, connect the supply to the bqTESLA transmitter.
- Connect the V_{IN} positive power source to J1, and connect the negative terminal of the V_{IN} source to J2.
- Do not place the bqTESLA receiver on the transmitter. Connect a load to J3 with a return to J4, monitor current through the load with the ammeter, and monitor the voltage to the load at J3. All voltmeters must be Kelvin connected (at the pin) to the point of interest.

6.2.1 Equipment Setup Diagram

The diagram in [Figure 4](#) shows the test setup.

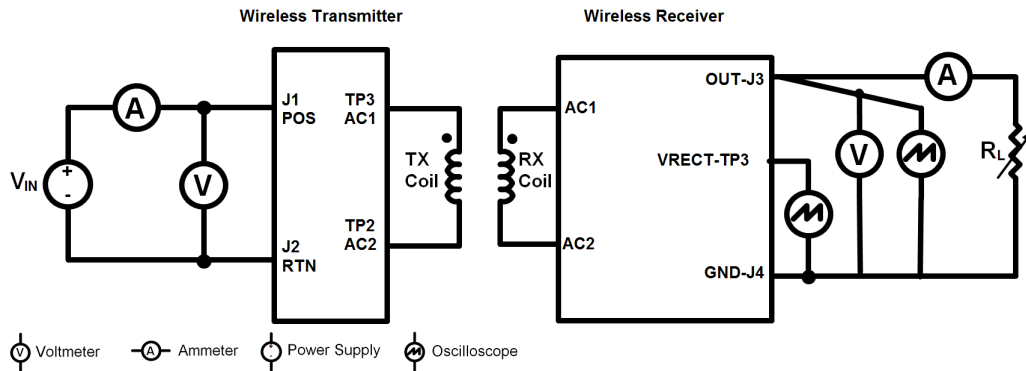


Figure 4. Equipment Setup

6.2.2 EVM Procedures

This section provides guidance for a few general test procedures to exercise the functionality of the presented hardware. Some key notes follow:

6.2.2.1 Start-Up No Receiver

Turn on V_{IN} , and observe that the green power LED, D2, will flash. Status LEDs D6, D7, and D8 are OFF until the power transfer starts.

Apply the scope probe to the test point, TP15, and observe single-pulse bursts approximately every 500 ms. This is a digital ping to begin communications with a receiver placed on the TX coil.

6.2.2.2 Apply Receivers

Place the bq51025EVM-649 EVM on the top of the transmitting coil. Align the centers of the receiving and transmitting coils across each other. In the next few seconds, observe that the status LED, D5, flashes green, indicating that communication between the transmitter and the receiver is established and that power transfer has started.

- The status LED, D6, flashes a green light during power transfer.
- Typical output voltage is 7 V, and the output current range is 0 mA to 1.4 A.
- Observe a continuous sine-wave on the test point TP15 when power transfer is active; the frequency is 130 kHz.
- Make tests and measurements applicable to a normal 7-V power supply.

6.2.2.3 Efficiency

Measure the system efficiency by measuring the output voltage, output current, input voltage, and input current and calculate efficiency as the ratio of the output power to the input power. Connect voltage meters at the input and output of TX and RX (see Figure 4). Average the input current; the comm pulses modulate the input current, distorting the reading. Figure 5 shows efficiency.

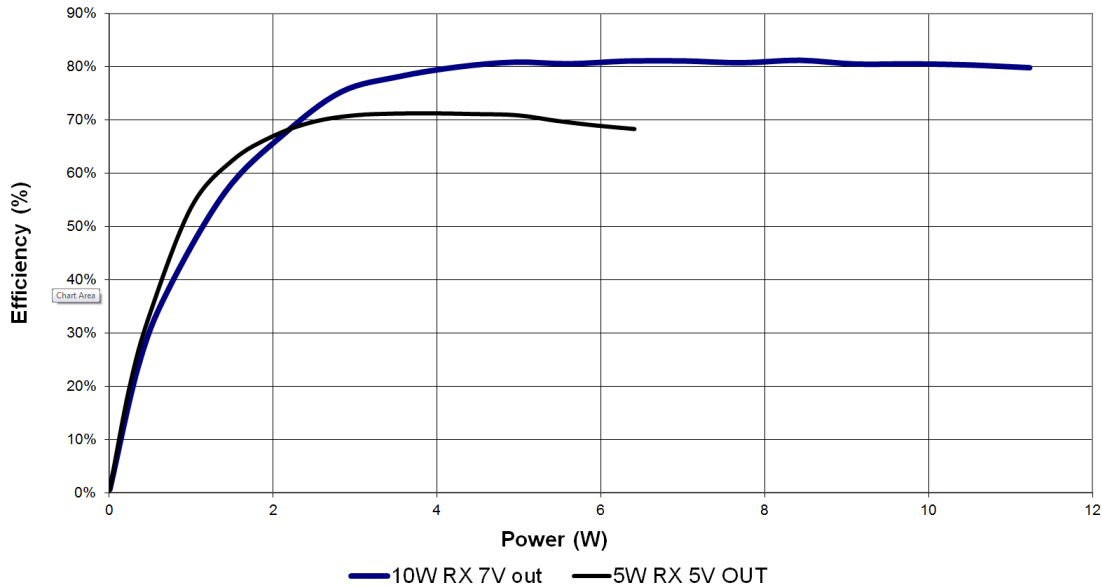


Figure 5. Efficiency versus Power, bq500215EVM-648 Transmitter and bq51025EVM-649 Receiver

6.2.2.4 LED Behavior

D2 – Green power on LED driven by 3.3-V DC-to-DC converter. During STANDBY (no RX) flash at half second rate. During power transfer ON, also ON during fault condition.

D6 – Green status driven by bq500215 (LED-A). Blink during power transfer, slow blink for 5 W (Qi) about once a second and fast blink for 10 W (bq50025 RX) about twice a second.

D7 – Red status driven by bq500215 (LED-B). When the receiver sends *Charge Complete (EPT01)* LED is ON for about 5 seconds then off.

D8 – Yellow status driven by bq500215 (LED-C). On during fault condition and blinks during FOD warning.

NOTE: Status LED behavior is controlled by LED mode resistor R9, 100 kΩ for mode 7. See the data sheet for additional options and configurations of LED D6, D7, and D8.

6.2.2.5 Start Up Receiver Placed on Transmitter

The Transmitter will send a digital ping about every 500 ms. If a receiver is present it will power up and reply then begin power transfer. Below is a scope capture of the bq500215 EVM beginning a power transfer with bq51025 EVM.

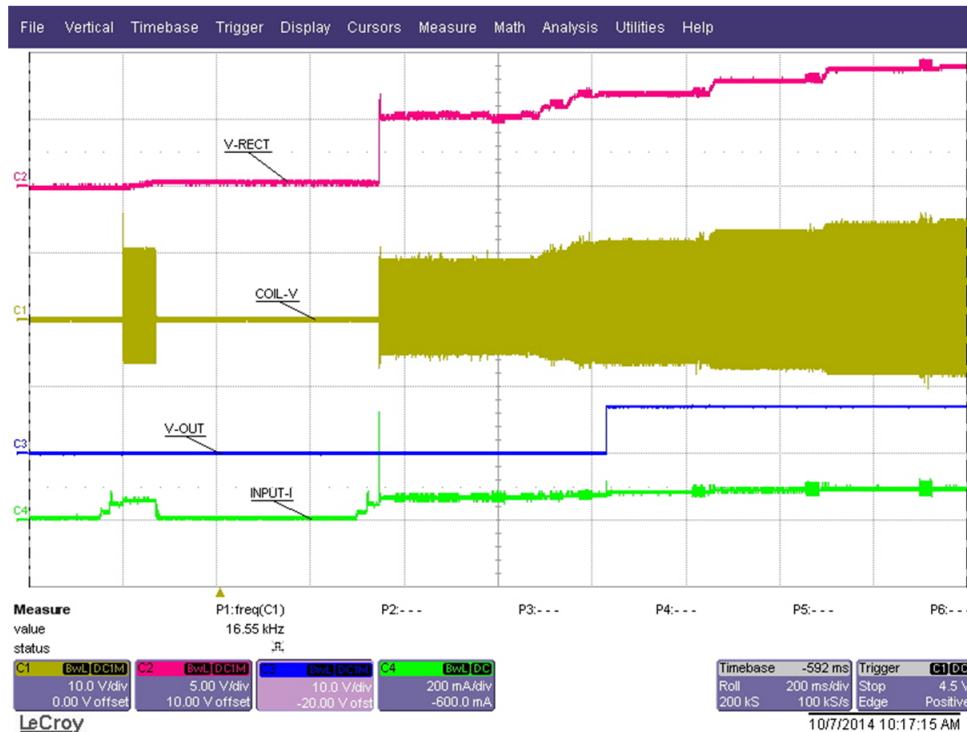


Figure 6. Start Up

6.2.2.6 Thermal Protection, NTC

Thermal protection is provided by an NTC resistor connected to JP3. At 1 V on the sense side (U1-2), the thermal fault is set, and the unit is shut down, The status LED, D8, illuminates orange. The typical resistor value for fault is 850 Ω. The system tries to restart in 5 minutes.

6.2.2.7 Foreign Object Detection (FOD) / Parasitic Metal Object Detection (PMOD)

The bq500215 EVM supports multiple levels of protection against eating metal objects placed in the magnetic field during power transfer. PMOD is used for older WPC 1.0 version receivers and FOD is used for WPC 1.1 or greater.

The first level is a short FOD ping that detects most objects before any power transfer is initiated, analysis of the impulse response is used. Resistors R47 and R48 are used to tune this function, see data sheet for additional information.

The second level is power loss accounting, a comparison between power transmitted to the receiver (RX) with the power the RX reported receiving, difference is loss power possibly going into a foreign object. The transmitter determines the power sent to the RX by measuring input power and calculating internal losses. The RX measures the power it received and also calculates losses. The RX sends this information to the driver (TX) in a digital word, message packet. Unaccounted for power loss is presumed to be a foreign object on the charging pad. Should this lost power exceed the threshold set by R8, a FOD fault is set and power transfer is stopped.

Three key measurements for the TX FOD calculation:

- **Input Power** – Product of input voltage and current. Input voltage is measured at Pin 63 through R10 and R11. Input current is measured using sense resistor R28 and current sense amp U7. Both

measurements must be very accurate.

- **Power Loss in Transmitter** – This is an internal calculation based on the operating point of the transmitter. The calculation is adjusted using FOD_Cal resistor, R99. This calculation changes with external component changes in the power path such as MOSFETs, resonate capacitors, and TX coil. Recalculation of R49 and R8 is required.
- **Receiver Reported Power** – The receiver calculates and reports power it receives in the message packet *Received Power Packet*.

The FOD threshold on the EVM is set to 400 mW, R8 is set to 56.2 kΩ. Increasing R8 increases the threshold and reduces the sensitivity to foreign objects.

This loss threshold is determined after making a measurement of transmitter performance using a FOD calibration receiver similar to a unit manufactured by Avid® Technology. Contact Texas Instruments for the FOD calibration procedure for bq500215.

The PMOD threshold on the EVM is set to 600 mW, R16 is 100 kΩ. Removing R16 disables this function.

6.2.2.8 Thermal Performance

This section shows a thermal image of the bq500215EVM-648. A 1400-mA load is used at the receiver output, bq51025EVM-649. Output power is approximately 10 W, 1.4 A at 7 V.

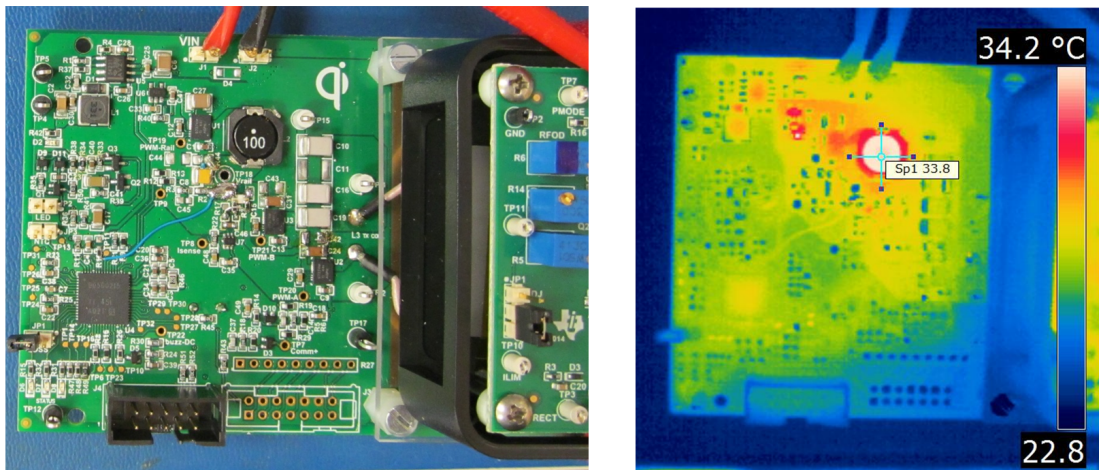


Figure 7. Thermal Performance

7 bq500215EVM-648 Assembly Drawings and Layout

Figure 8 through Figure 13 show the design of the bq500215EVM PCB. The EVM has been designed using a 4-layer, 2-oz, copper-clad circuit board, 13.2 cm x 7.24 cm with all components in a 4.0-cm x 5.0-cm active area on the top side and all active traces to the top and bottom layers to allow the user to easily view, probe, and evaluate the bq500215 control IC in a practical application. Moving components to both sides of the PCB or using additional internal layers offers additional size reduction for space-constrained systems. Gerber files are available for download from the EVM product folder ([bq500215EVM-648](#)).

A 4-layer PCB design is recommended to provide a good low-noise ground plane for all circuits. A 2-layer PCB presents a high risk of poor performance. Grounding between the bq500215 GND pin 47, 36, and 32 and filter capacitor returns C19, C1, C5, and C3 should be a good low-impedance path.

Coil Grounding – A ground plane area under the coil is recommended to reduce noise coupling into the receiver. The ground plane for the EVM is slightly larger than the coil footprint and grounded at one point back to the circuit area.

Note: The clear plastic cover thickness (0.93 in or 2.4 mm) is the z-gap thickness for the transmitter.

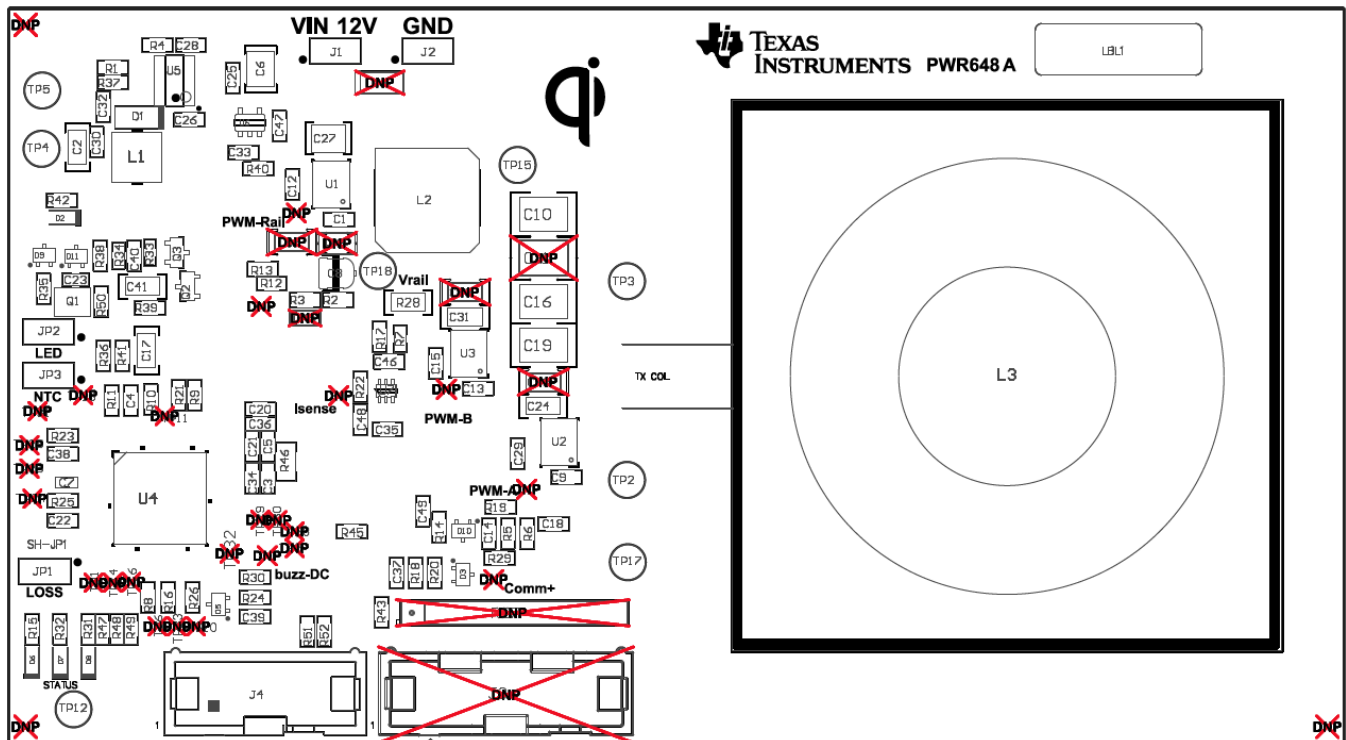


Figure 8. Assembly Top

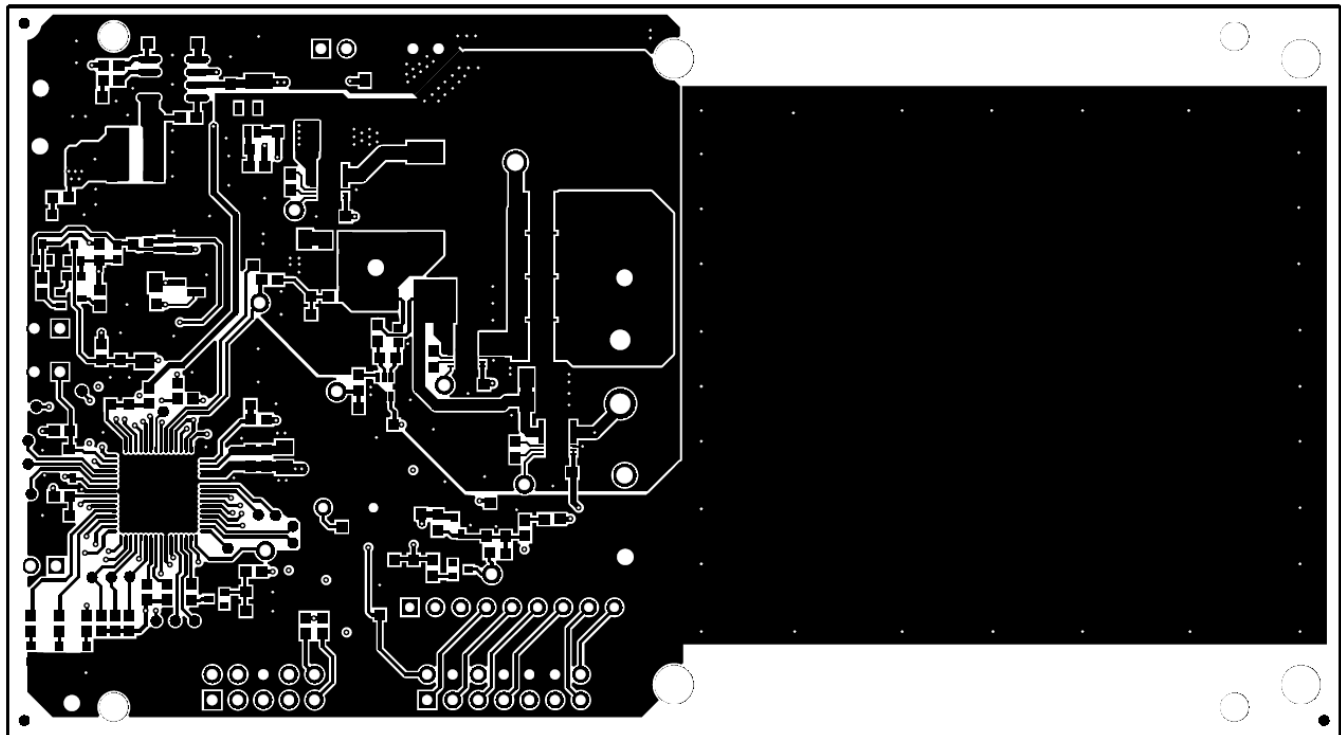
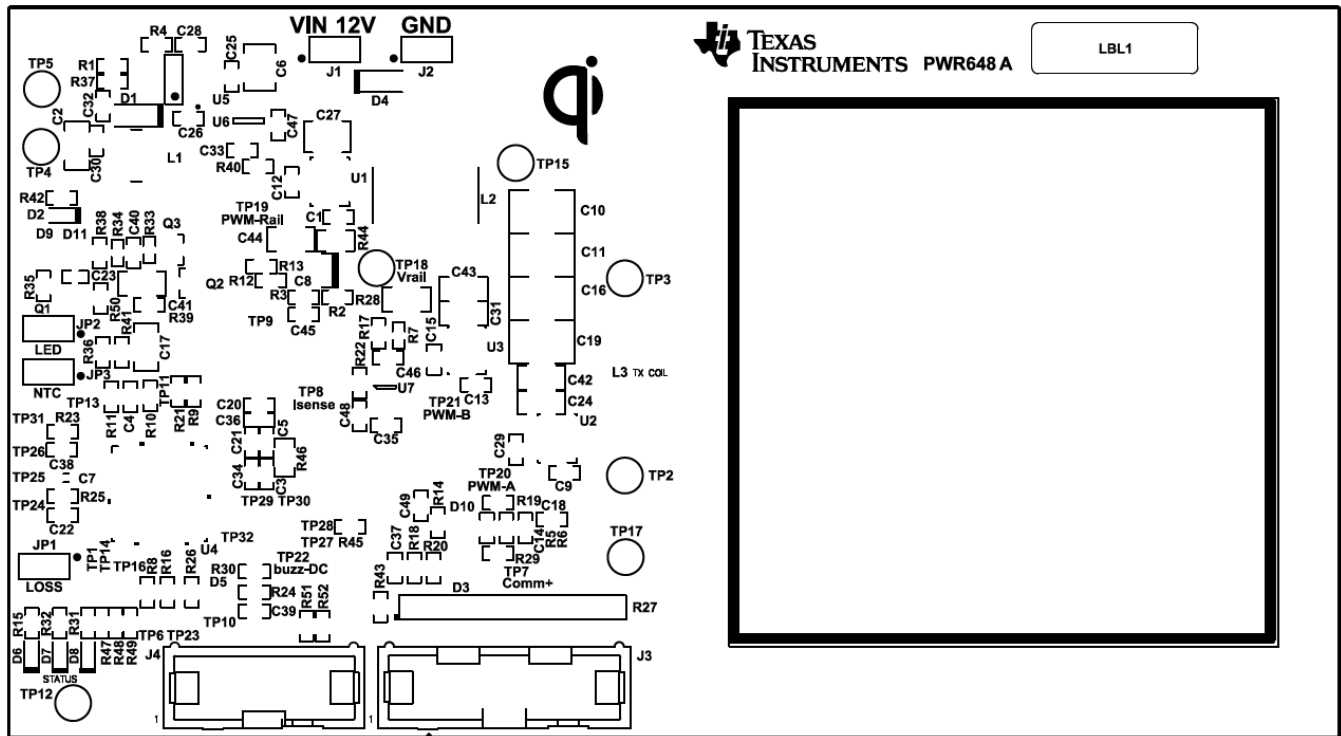


Figure 10. Top Layer

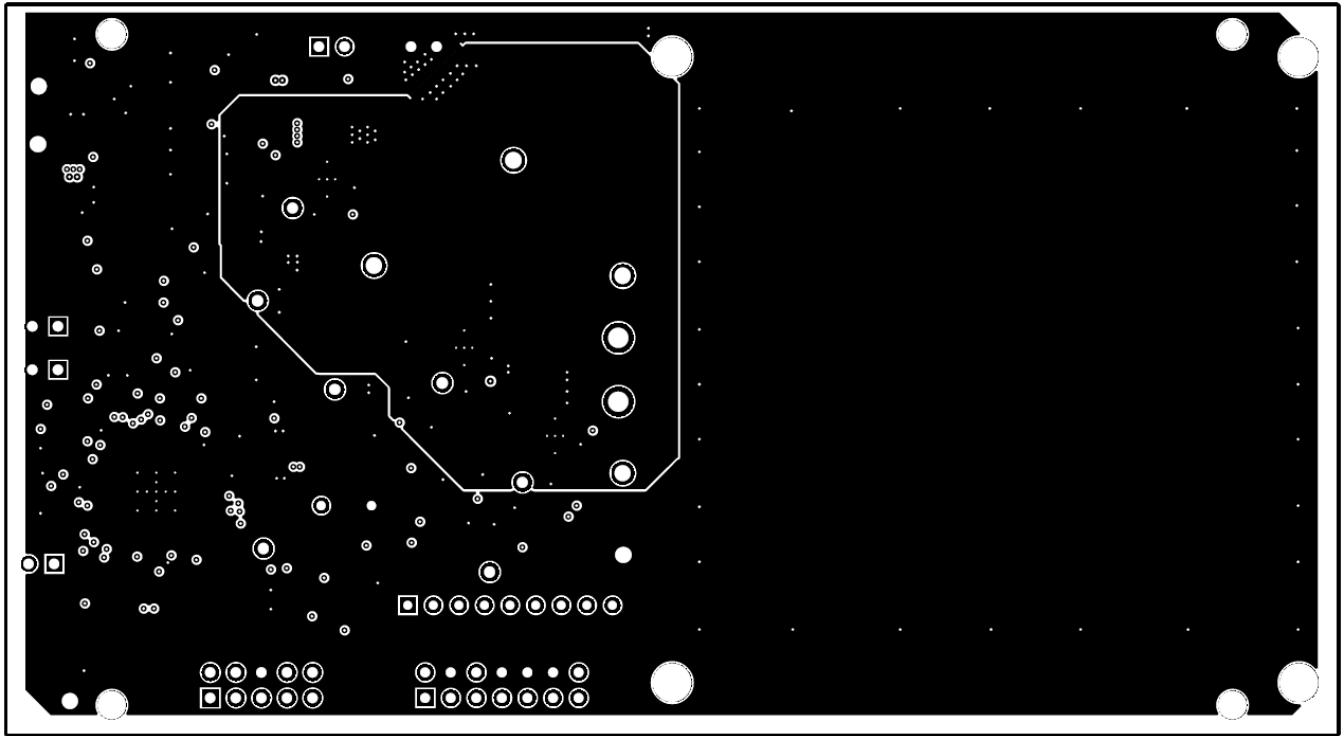


Figure 11. Inner Layer 1

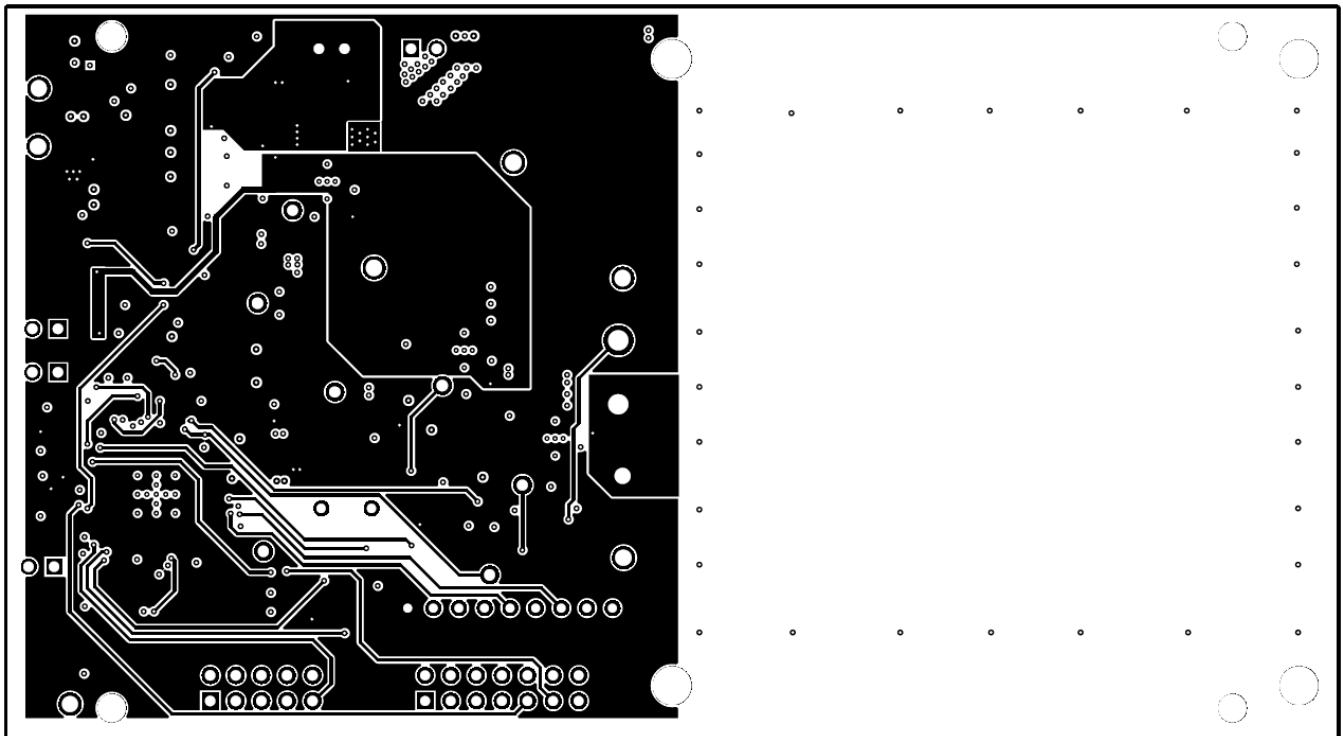


Figure 12. Inner Layer 2

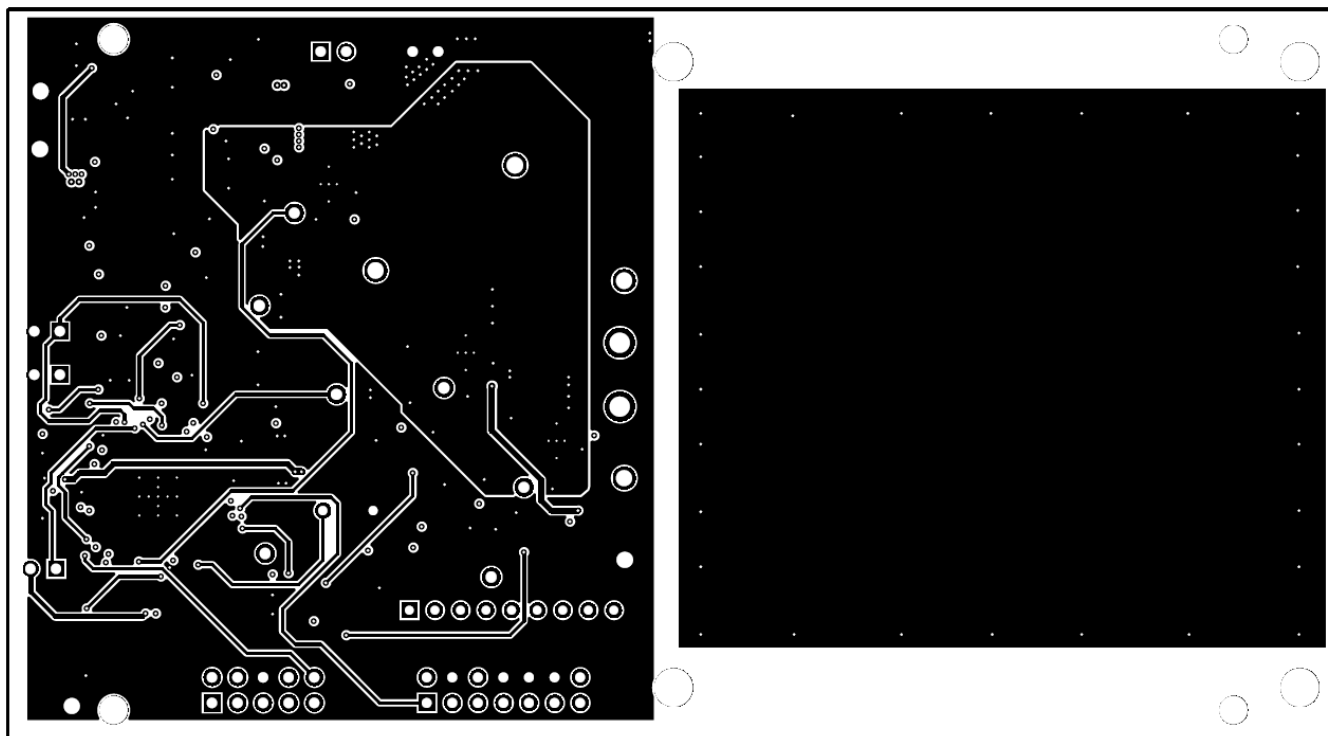


Figure 13. Bottom Layer

8 Reference

For additional information about the bq500215EVM-648 low-power, wireless, power evaluation kit from Texas Instruments, visit the product folder on the TI Web site at <http://www.ti.com/product/bq500215>

Revision History

Changes from Original (October 2014) to A Revision	Page
• Changed schematics and bill of materials in the <i>Schematic and Bill of Materials</i> section.....	7

NOTE: Page numbers for previous revisions may differ from page numbers in the current version.

STANDARD TERMS AND CONDITIONS FOR EVALUATION MODULES

1. *Delivery:* TI delivers TI evaluation boards, kits, or modules, including any accompanying demonstration software, components, or documentation (collectively, an "EVM" or "EVMs") to the User ("User") in accordance with the terms and conditions set forth herein. Acceptance of the EVM is expressly subject to the following terms and conditions.
 - 1.1 EVMs are intended solely for product or software developers for use in a research and development setting to facilitate feasibility evaluation, experimentation, or scientific analysis of TI semiconductor products. EVMs have no direct function and are not finished products. EVMs shall not be directly or indirectly assembled as a part or subassembly in any finished product. For clarification, any software or software tools provided with the EVM ("Software") shall not be subject to the terms and conditions set forth herein but rather shall be subject to the applicable terms and conditions that accompany such Software
 - 1.2 EVMs are not intended for consumer or household use. EVMs may not be sold, sublicensed, leased, rented, loaned, assigned, or otherwise distributed for commercial purposes by Users, in whole or in part, or used in any finished product or production system.
2. *Limited Warranty and Related Remedies/Disclaimers:*
 - 2.1 These terms and conditions do not apply to Software. The warranty, if any, for Software is covered in the applicable Software License Agreement.
 - 2.2 TI warrants that the TI EVM will conform to TI's published specifications for ninety (90) days after the date TI delivers such EVM to User. Notwithstanding the foregoing, TI shall not be liable for any defects that are caused by neglect, misuse or mistreatment by an entity other than TI, including improper installation or testing, or for any EVMs that have been altered or modified in any way by an entity other than TI. Moreover, TI shall not be liable for any defects that result from User's design, specifications or instructions for such EVMs. Testing and other quality control techniques are used to the extent TI deems necessary or as mandated by government requirements. TI does not test all parameters of each EVM.
 - 2.3 If any EVM fails to conform to the warranty set forth above, TI's sole liability shall be at its option to repair or replace such EVM, or credit User's account for such EVM. TI's liability under this warranty shall be limited to EVMs that are returned during the warranty period to the address designated by TI and that are determined by TI not to conform to such warranty. If TI elects to repair or replace such EVM, TI shall have a reasonable time to repair such EVM or provide replacements. Repaired EVMs shall be warranted for the remainder of the original warranty period. Replaced EVMs shall be warranted for a new full ninety (90) day warranty period.
3. *Regulatory Notices:*
 - 3.1 *United States*
 - 3.1.1 *Notice applicable to EVMs not FCC-Approved:*

This kit is designed to allow product developers to evaluate electronic components, circuitry, or software associated with the kit to determine whether to incorporate such items in a finished product and software developers to write software applications for use with the end product. This kit is not a finished product and when assembled may not be resold or otherwise marketed unless all required FCC equipment authorizations are first obtained. Operation is subject to the condition that this product not cause harmful interference to licensed radio stations and that this product accept harmful interference. Unless the assembled kit is designed to operate under part 15, part 18 or part 95 of this chapter, the operator of the kit must operate under the authority of an FCC license holder or must secure an experimental authorization under part 5 of this chapter.
 - 3.1.2 *For EVMs annotated as FCC – FEDERAL COMMUNICATIONS COMMISSION Part 15 Compliant:*

CAUTION

This device complies with part 15 of the FCC Rules. Operation is subject to the following two conditions: (1) This device may not cause harmful interference, and (2) this device must accept any interference received, including interference that may cause undesired operation.

Changes or modifications not expressly approved by the party responsible for compliance could void the user's authority to operate the equipment.

FCC Interference Statement for Class A EVM devices

NOTE: This equipment has been tested and found to comply with the limits for a Class A digital device, pursuant to part 15 of the FCC Rules. These limits are designed to provide reasonable protection against harmful interference when the equipment is operated in a commercial environment. This equipment generates, uses, and can radiate radio frequency energy and, if not installed and used in accordance with the instruction manual, may cause harmful interference to radio communications. Operation of this equipment in a residential area is likely to cause harmful interference in which case the user will be required to correct the interference at his own expense.

FCC Interference Statement for Class B EVM devices

NOTE: This equipment has been tested and found to comply with the limits for a Class B digital device, pursuant to part 15 of the FCC Rules. These limits are designed to provide reasonable protection against harmful interference in a residential installation. This equipment generates, uses and can radiate radio frequency energy and, if not installed and used in accordance with the instructions, may cause harmful interference to radio communications. However, there is no guarantee that interference will not occur in a particular installation. If this equipment does cause harmful interference to radio or television reception, which can be determined by turning the equipment off and on, the user is encouraged to try to correct the interference by one or more of the following measures:

- Reorient or relocate the receiving antenna.
- Increase the separation between the equipment and receiver.
- Connect the equipment into an outlet on a circuit different from that to which the receiver is connected.
- Consult the dealer or an experienced radio/TV technician for help.

3.2 Canada

3.2.1 For EVMs issued with an Industry Canada Certificate of Conformance to RSS-210

Concerning EVMs Including Radio Transmitters:

This device complies with Industry Canada license-exempt RSS standard(s). Operation is subject to the following two conditions: (1) this device may not cause interference, and (2) this device must accept any interference, including interference that may cause undesired operation of the device.

Concernant les EVMs avec appareils radio:

Le présent appareil est conforme aux CNR d'Industrie Canada applicables aux appareils radio exempts de licence. L'exploitation est autorisée aux deux conditions suivantes: (1) l'appareil ne doit pas produire de brouillage, et (2) l'utilisateur de l'appareil doit accepter tout brouillage radioélectrique subi, même si le brouillage est susceptible d'en compromettre le fonctionnement.

Concerning EVMs Including Detachable Antennas:

Under Industry Canada regulations, this radio transmitter may only operate using an antenna of a type and maximum (or lesser) gain approved for the transmitter by Industry Canada. To reduce potential radio interference to other users, the antenna type and its gain should be so chosen that the equivalent isotropically radiated power (e.i.r.p.) is not more than that necessary for successful communication. This radio transmitter has been approved by Industry Canada to operate with the antenna types listed in the user guide with the maximum permissible gain and required antenna impedance for each antenna type indicated. Antenna types not included in this list, having a gain greater than the maximum gain indicated for that type, are strictly prohibited for use with this device.

Concernant les EVMs avec antennes détachables

Conformément à la réglementation d'Industrie Canada, le présent émetteur radio peut fonctionner avec une antenne d'un type et d'un gain maximal (ou inférieur) approuvé pour l'émetteur par Industrie Canada. Dans le but de réduire les risques de brouillage radioélectrique à l'intention des autres utilisateurs, il faut choisir le type d'antenne et son gain de sorte que la puissance isotrope rayonnée équivalente (p.i.r.e.) ne dépasse pas l'intensité nécessaire à l'établissement d'une communication satisfaisante. Le présent émetteur radio a été approuvé par Industrie Canada pour fonctionner avec les types d'antenne énumérés dans le manuel d'usage et ayant un gain admissible maximal et l'impédance requise pour chaque type d'antenne. Les types d'antenne non inclus dans cette liste, ou dont le gain est supérieur au gain maximal indiqué, sont strictement interdits pour l'exploitation de l'émetteur

3.3 Japan

3.3.1 *Notice for EVMs delivered in Japan:* Please see http://www.tij.co.jp/lstds/ti_ja/general/eStore/notice_01.page 日本国内に輸入される評価用キット、ボードについては、次のところをご覧ください。
http://www.tij.co.jp/lstds/ti_ja/general/eStore/notice_01.page

3.3.2 *Notice for Users of EVMs Considered "Radio Frequency Products" in Japan:* EVMs entering Japan are NOT certified by TI as conforming to Technical Regulations of Radio Law of Japan.

If User uses EVMs in Japan, User is required by Radio Law of Japan to follow the instructions below with respect to EVMs:

1. Use EVMs in a shielded room or any other test facility as defined in the notification #173 issued by Ministry of Internal Affairs and Communications on March 28, 2006, based on Sub-section 1.1 of Article 6 of the Ministry's Rule for Enforcement of Radio Law of Japan,
2. Use EVMs only after User obtains the license of Test Radio Station as provided in Radio Law of Japan with respect to EVMs, or
3. Use of EVMs only after User obtains the Technical Regulations Conformity Certification as provided in Radio Law of Japan with respect to EVMs. Also, do not transfer EVMs, unless User gives the same notice above to the transferee. Please note that if User does not follow the instructions above, User will be subject to penalties of Radio Law of Japan.

【無線電波を送信する製品の開発キットをお使いになる際の注意事項】

本開発キットは技術基準適合証明を受けておりません。

本製品のご使用に際しては、電波法遵守のため、以下のいずれかの措置を取っていただく必要がありますのでご注意ください。

1. 電波法施行規則第6条第1項第1号に基づく平成18年3月28日総務省告示第173号で定められた電波暗室等の試験設備でご使用いただく。
2. 実験局の免許を取得後ご使用いただく。
3. 技術基準適合証明を取得後ご使用いただく。

なお、本製品は、上記の「ご使用にあたっての注意」を譲渡先、移転先に通知しない限り、譲渡、移転できないものとします。

上記を遵守頂けない場合は、電波法の罰則が適用される可能性があることをご留意ください。

日本テキサス・インスツルメンツ株式会社

東京都新宿区西新宿 6 丁目 2 4 番 1 号

西新宿三井ビル

3.3.3 *Notice for EVMs for Power Line Communication:* Please see http://www.tij.co.jp/llds/ti_ja/general/eStore/notice_02.page

電力線搬送波通信についての開発キットをお使いになる際の注意事項については、次のところをご覧ください。http://www.tij.co.jp/llds/ti_ja/general/eStore/notice_02.page

4 *EVM Use Restrictions and Warnings:*

4.1 EVMS ARE NOT FOR USE IN FUNCTIONAL SAFETY AND/OR SAFETY CRITICAL EVALUATIONS, INCLUDING BUT NOT LIMITED TO EVALUATIONS OF LIFE SUPPORT APPLICATIONS.

4.2 User must read and apply the user guide and other available documentation provided by TI regarding the EVM prior to handling or using the EVM, including without limitation any warning or restriction notices. The notices contain important safety information related to, for example, temperatures and voltages.

4.3 *Safety-Related Warnings and Restrictions:*

4.3.1 User shall operate the EVM within TI's recommended specifications and environmental considerations stated in the user guide, other available documentation provided by TI, and any other applicable requirements and employ reasonable and customary safeguards. Exceeding the specified performance ratings and specifications (including but not limited to input and output voltage, current, power, and environmental ranges) for the EVM may cause personal injury or death, or property damage. If there are questions concerning performance ratings and specifications, User should contact a TI field representative prior to connecting interface electronics including input power and intended loads. Any loads applied outside of the specified output range may also result in unintended and/or inaccurate operation and/or possible permanent damage to the EVM and/or interface electronics. Please consult the EVM user guide prior to connecting any load to the EVM output. If there is uncertainty as to the load specification, please contact a TI field representative. During normal operation, even with the inputs and outputs kept within the specified allowable ranges, some circuit components may have elevated case temperatures. These components include but are not limited to linear regulators, switching transistors, pass transistors, current sense resistors, and heat sinks, which can be identified using the information in the associated documentation. When working with the EVM, please be aware that the EVM may become very warm.

4.3.2 EVMs are intended solely for use by technically qualified, professional electronics experts who are familiar with the dangers and application risks associated with handling electrical mechanical components, systems, and subsystems. User assumes all responsibility and liability for proper and safe handling and use of the EVM by User or its employees, affiliates, contractors or designees. User assumes all responsibility and liability to ensure that any interfaces (electronic and/or mechanical) between the EVM and any human body are designed with suitable isolation and means to safely limit accessible leakage currents to minimize the risk of electrical shock hazard. User assumes all responsibility and liability for any improper or unsafe handling or use of the EVM by User or its employees, affiliates, contractors or designees.

4.4 User assumes all responsibility and liability to determine whether the EVM is subject to any applicable international, federal, state, or local laws and regulations related to User's handling and use of the EVM and, if applicable, User assumes all responsibility and liability for compliance in all respects with such laws and regulations. User assumes all responsibility and liability for proper disposal and recycling of the EVM consistent with all applicable international, federal, state, and local requirements.

5. *Accuracy of Information:* To the extent TI provides information on the availability and function of EVMs, TI attempts to be as accurate as possible. However, TI does not warrant the accuracy of EVM descriptions, EVM availability or other information on its websites as accurate, complete, reliable, current, or error-free.

6. *Disclaimers:*
- 6.1 EXCEPT AS SET FORTH ABOVE, EVMS AND ANY WRITTEN DESIGN MATERIALS PROVIDED WITH THE EVM (AND THE DESIGN OF THE EVM ITSELF) ARE PROVIDED "AS IS" AND "WITH ALL FAULTS." TI DISCLAIMS ALL OTHER WARRANTIES, EXPRESS OR IMPLIED, REGARDING SUCH ITEMS, INCLUDING BUT NOT LIMITED TO ANY IMPLIED WARRANTIES OF MERCHANTABILITY OR FITNESS FOR A PARTICULAR PURPOSE OR NON-INFRINGEMENT OF ANY THIRD PARTY PATENTS, COPYRIGHTS, TRADE SECRETS OR OTHER INTELLECTUAL PROPERTY RIGHTS.
- 6.2 EXCEPT FOR THE LIMITED RIGHT TO USE THE EVM SET FORTH HEREIN, NOTHING IN THESE TERMS AND CONDITIONS SHALL BE CONSTRUED AS GRANTING OR CONFERRING ANY RIGHTS BY LICENSE, PATENT, OR ANY OTHER INDUSTRIAL OR INTELLECTUAL PROPERTY RIGHT OF TI, ITS SUPPLIERS/LICENSORS OR ANY OTHER THIRD PARTY, TO USE THE EVM IN ANY FINISHED END-USER OR READY-TO-USE FINAL PRODUCT, OR FOR ANY INVENTION, DISCOVERY OR IMPROVEMENT MADE, CONCEIVED OR ACQUIRED PRIOR TO OR AFTER DELIVERY OF THE EVM.
7. *USER'S INDEMNITY OBLIGATIONS AND REPRESENTATIONS.* USER WILL DEFEND, INDEMNIFY AND HOLD TI, ITS LICENSORS AND THEIR REPRESENTATIVES HARMLESS FROM AND AGAINST ANY AND ALL CLAIMS, DAMAGES, LOSSES, EXPENSES, COSTS AND LIABILITIES (COLLECTIVELY, "CLAIMS") ARISING OUT OF OR IN CONNECTION WITH ANY HANDLING OR USE OF THE EVM THAT IS NOT IN ACCORDANCE WITH THESE TERMS AND CONDITIONS. THIS OBLIGATION SHALL APPLY WHETHER CLAIMS ARISE UNDER STATUTE, REGULATION, OR THE LAW OF TORT, CONTRACT OR ANY OTHER LEGAL THEORY, AND EVEN IF THE EVM FAILS TO PERFORM AS DESCRIBED OR EXPECTED.
8. *Limitations on Damages and Liability:*
- 8.1 *General Limitations.* IN NO EVENT SHALL TI BE LIABLE FOR ANY SPECIAL, COLLATERAL, INDIRECT, PUNITIVE, INCIDENTAL, CONSEQUENTIAL, OR EXEMPLARY DAMAGES IN CONNECTION WITH OR ARISING OUT OF THESE TERMS AND CONDITIONS OR THE USE OF THE EVMS PROVIDED HEREUNDER, REGARDLESS OF WHETHER TI HAS BEEN ADVISED OF THE POSSIBILITY OF SUCH DAMAGES. EXCLUDED DAMAGES INCLUDE, BUT ARE NOT LIMITED TO, COST OF REMOVAL OR REINSTALLATION, ANCILLARY COSTS TO THE PROCUREMENT OF SUBSTITUTE GOODS OR SERVICES, RETESTING, OUTSIDE COMPUTER TIME, LABOR COSTS, LOSS OF GOODWILL, LOSS OF PROFITS, LOSS OF SAVINGS, LOSS OF USE, LOSS OF DATA, OR BUSINESS INTERRUPTION. NO CLAIM, SUIT OR ACTION SHALL BE BROUGHT AGAINST TI MORE THAN ONE YEAR AFTER THE RELATED CAUSE OF ACTION HAS OCCURRED.
- 8.2 *Specific Limitations.* IN NO EVENT SHALL TI'S AGGREGATE LIABILITY FROM ANY WARRANTY OR OTHER OBLIGATION ARISING OUT OF OR IN CONNECTION WITH THESE TERMS AND CONDITIONS, OR ANY USE OF ANY TI EVM PROVIDED HEREUNDER, EXCEED THE TOTAL AMOUNT PAID TO TI FOR THE PARTICULAR UNITS SOLD UNDER THESE TERMS AND CONDITIONS WITH RESPECT TO WHICH LOSSES OR DAMAGES ARE CLAIMED. THE EXISTENCE OF MORE THAN ONE CLAIM AGAINST THE PARTICULAR UNITS SOLD TO USER UNDER THESE TERMS AND CONDITIONS SHALL NOT ENLARGE OR EXTEND THIS LIMIT.
9. *Return Policy.* Except as otherwise provided, TI does not offer any refunds, returns, or exchanges. Furthermore, no return of EVM(s) will be accepted if the package has been opened and no return of the EVM(s) will be accepted if they are damaged or otherwise not in a resalable condition. If User feels it has been incorrectly charged for the EVM(s) it ordered or that delivery violates the applicable order, User should contact TI. All refunds will be made in full within thirty (30) working days from the return of the components(s), excluding any postage or packaging costs.
10. *Governing Law:* These terms and conditions shall be governed by and interpreted in accordance with the laws of the State of Texas, without reference to conflict-of-laws principles. User agrees that non-exclusive jurisdiction for any dispute arising out of or relating to these terms and conditions lies within courts located in the State of Texas and consents to venue in Dallas County, Texas. Notwithstanding the foregoing, any judgment may be enforced in any United States or foreign court, and TI may seek injunctive relief in any United States or foreign court.

Mailing Address: Texas Instruments, Post Office Box 655303, Dallas, Texas 75265
Copyright © 2015, Texas Instruments Incorporated

IMPORTANT NOTICE

Texas Instruments Incorporated and its subsidiaries (TI) reserve the right to make corrections, enhancements, improvements and other changes to its semiconductor products and services per JESD46, latest issue, and to discontinue any product or service per JESD48, latest issue. Buyers should obtain the latest relevant information before placing orders and should verify that such information is current and complete. All semiconductor products (also referred to herein as "components") are sold subject to TI's terms and conditions of sale supplied at the time of order acknowledgment.

TI warrants performance of its components to the specifications applicable at the time of sale, in accordance with the warranty in TI's terms and conditions of sale of semiconductor products. Testing and other quality control techniques are used to the extent TI deems necessary to support this warranty. Except where mandated by applicable law, testing of all parameters of each component is not necessarily performed.

TI assumes no liability for applications assistance or the design of Buyers' products. Buyers are responsible for their products and applications using TI components. To minimize the risks associated with Buyers' products and applications, Buyers should provide adequate design and operating safeguards.

TI does not warrant or represent that any license, either express or implied, is granted under any patent right, copyright, mask work right, or other intellectual property right relating to any combination, machine, or process in which TI components or services are used. Information published by TI regarding third-party products or services does not constitute a license to use such products or services or a warranty or endorsement thereof. Use of such information may require a license from a third party under the patents or other intellectual property of the third party, or a license from TI under the patents or other intellectual property of TI.

Reproduction of significant portions of TI information in TI data books or data sheets is permissible only if reproduction is without alteration and is accompanied by all associated warranties, conditions, limitations, and notices. TI is not responsible or liable for such altered documentation. Information of third parties may be subject to additional restrictions.

Resale of TI components or services with statements different from or beyond the parameters stated by TI for that component or service voids all express and any implied warranties for the associated TI component or service and is an unfair and deceptive business practice. TI is not responsible or liable for any such statements.

Buyer acknowledges and agrees that it is solely responsible for compliance with all legal, regulatory and safety-related requirements concerning its products, and any use of TI components in its applications, notwithstanding any applications-related information or support that may be provided by TI. Buyer represents and agrees that it has all the necessary expertise to create and implement safeguards which anticipate dangerous consequences of failures, monitor failures and their consequences, lessen the likelihood of failures that might cause harm and take appropriate remedial actions. Buyer will fully indemnify TI and its representatives against any damages arising out of the use of any TI components in safety-critical applications.

In some cases, TI components may be promoted specifically to facilitate safety-related applications. With such components, TI's goal is to help enable customers to design and create their own end-product solutions that meet applicable functional safety standards and requirements. Nonetheless, such components are subject to these terms.

No TI components are authorized for use in FDA Class III (or similar life-critical medical equipment) unless authorized officers of the parties have executed a special agreement specifically governing such use.

Only those TI components which TI has specifically designated as military grade or "enhanced plastic" are designed and intended for use in military/aerospace applications or environments. Buyer acknowledges and agrees that any military or aerospace use of TI components which have **not** been so designated is solely at the Buyer's risk, and that Buyer is solely responsible for compliance with all legal and regulatory requirements in connection with such use.

TI has specifically designated certain components as meeting ISO/TS16949 requirements, mainly for automotive use. In any case of use of non-designated products, TI will not be responsible for any failure to meet ISO/TS16949.

Products

Audio	www.ti.com/audio
Amplifiers	amplifier.ti.com
Data Converters	dataconverter.ti.com
DLP® Products	www.dlp.com
DSP	dsp.ti.com
Clocks and Timers	www.ti.com/clocks
Interface	interface.ti.com
Logic	logic.ti.com
Power Mgmt	power.ti.com
Microcontrollers	microcontroller.ti.com
RFID	www.ti-rfid.com
OMAP Applications Processors	www.ti.com/omap
Wireless Connectivity	www.ti.com/wirelessconnectivity

Applications

Automotive and Transportation	www.ti.com/automotive
Communications and Telecom	www.ti.com/communications
Computers and Peripherals	www.ti.com/computers
Consumer Electronics	www.ti.com/consumer-apps
Energy and Lighting	www.ti.com/energy
Industrial	www.ti.com/industrial
Medical	www.ti.com/medical
Security	www.ti.com/security
Space, Avionics and Defense	www.ti.com/space-avionics-defense
Video and Imaging	www.ti.com/video

TI E2E Community

e2e.ti.com