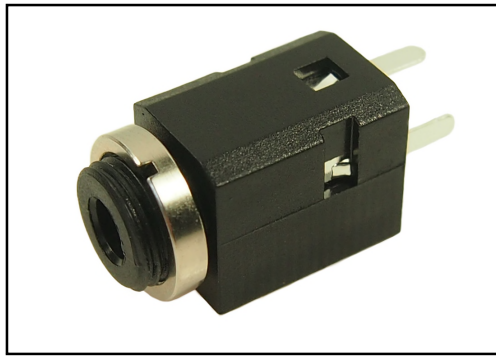
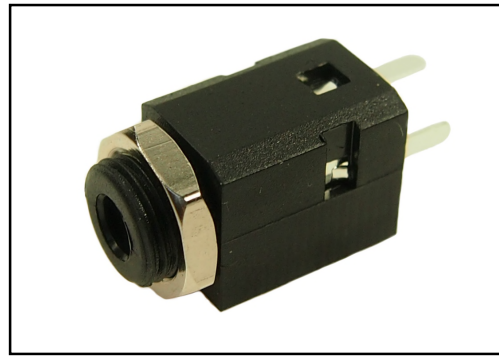


# CLIFF

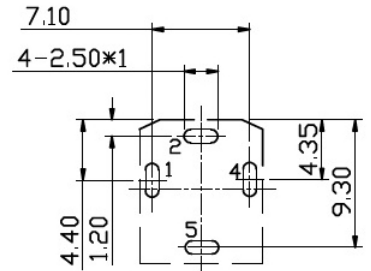
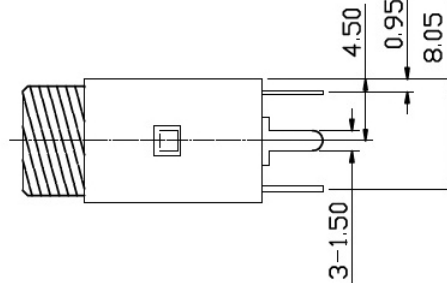
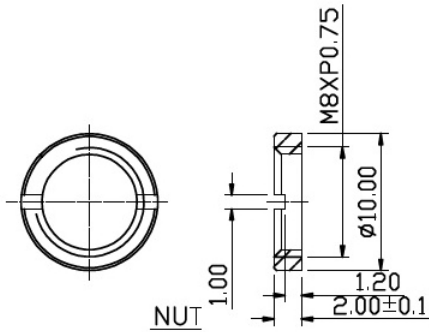
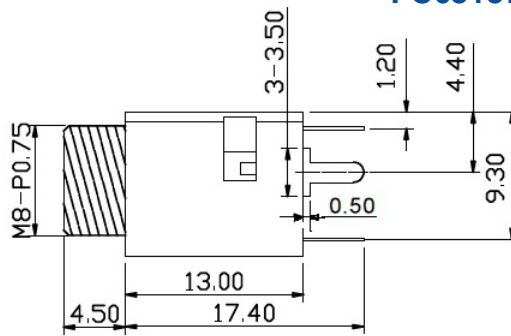
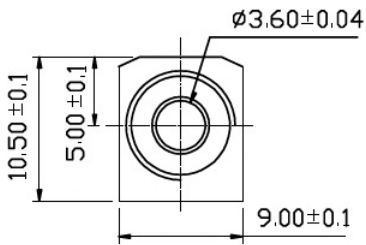
## 3.5mm VERTICAL JACK SOCKET



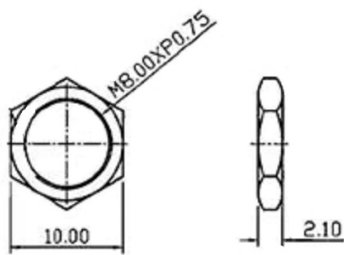
FC681375V



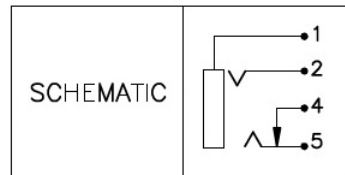
FC681375VH



Pin Hole Layout  
(Jack Bottom View)



HEX NUT



### Specification

Contact Resistance: 30mΩ max.

Insulation Resistance: 100MΩ min. at DC 500V

Dielectric Withstand Voltage: AC 500V for 1 minute