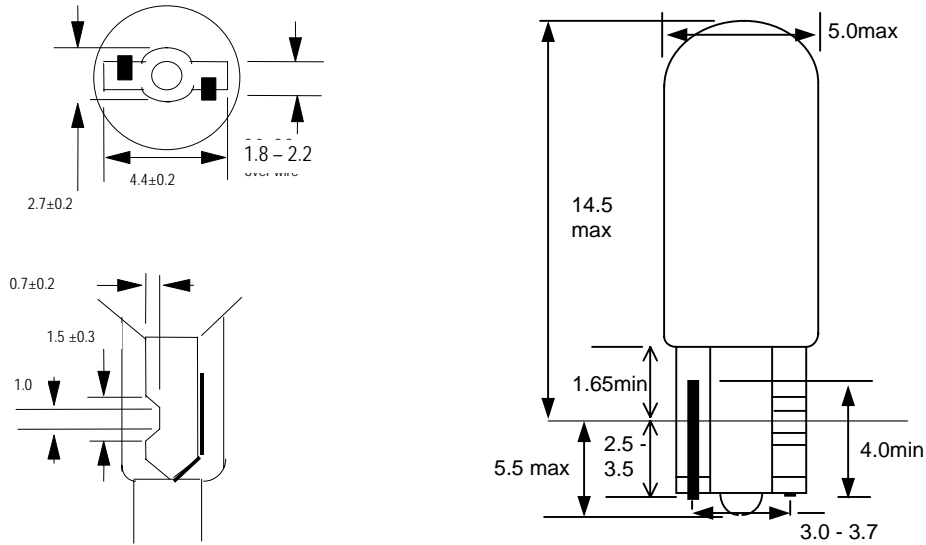


Description : **T-1½(5mm) Lead-free Wedge base lamp 28V 40mA**

Dimensional Characteristics : All dimensions in mm



Marking

**CML 28V 40mA**

Performance Characteristics @ 28 volts

	Nom	Min	Max
<b>Current(mA)</b>	<b>40</b>	<b>36</b>	<b>44</b>
<b>Light output(Lm)</b>	<b>3.8</b>	<b>2.9</b>	<b>4.7</b>
<b>Life(hrs)</b>	<b>10,000</b>		