

# Metal Pushbutton Switch



RoHS  
Compliant

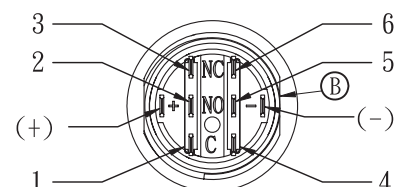
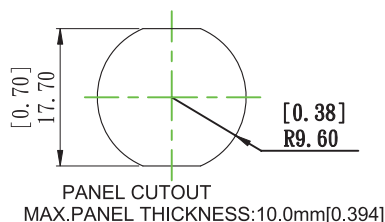
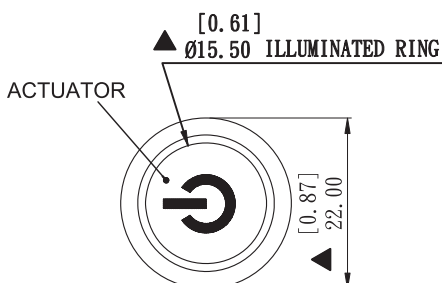


## Specifications:

Contact Material	: Silver
Rating	: 5A/250V AC. Resistive load 3A/250V AC
Electrical Life	: 50,000 Make-and-Break Cycles at Full Load
Mechanical Life	: Self-Lock 5,00,000
Insulation Resistance	: 1,000MΩ Min. at 500V DC
Dielectric Strength	: 2,000VRMS @ sea level
Contact Resistance	: 50mΩ Max. @ 1A 12V DC(initial value)
Operating Temperature	: -20°C to +55°C
Travel	: About 3.2mm
Operation Pressure	: 1 Pole 2.5 ±1N / 2 Pole 3.5 ± 1N
Ingress Protection	: IP67, IK10(Stainless)
Torque	: 5Nm to 14Nm

## Material:

Bushing	: Stainless Steel
Base	: PBT(UL 94-V0), PC(UL 94-V2)
Actuator	: PC, Stainless Steel
Spring	: Spring steel
Sealing	: Silicone
O-Ring	: Silicone
Terminal/Contact	: Copper, Silver Plated
Inner Assembly	: POM/PA66
Hex Nut	: Nickel Plated Brass

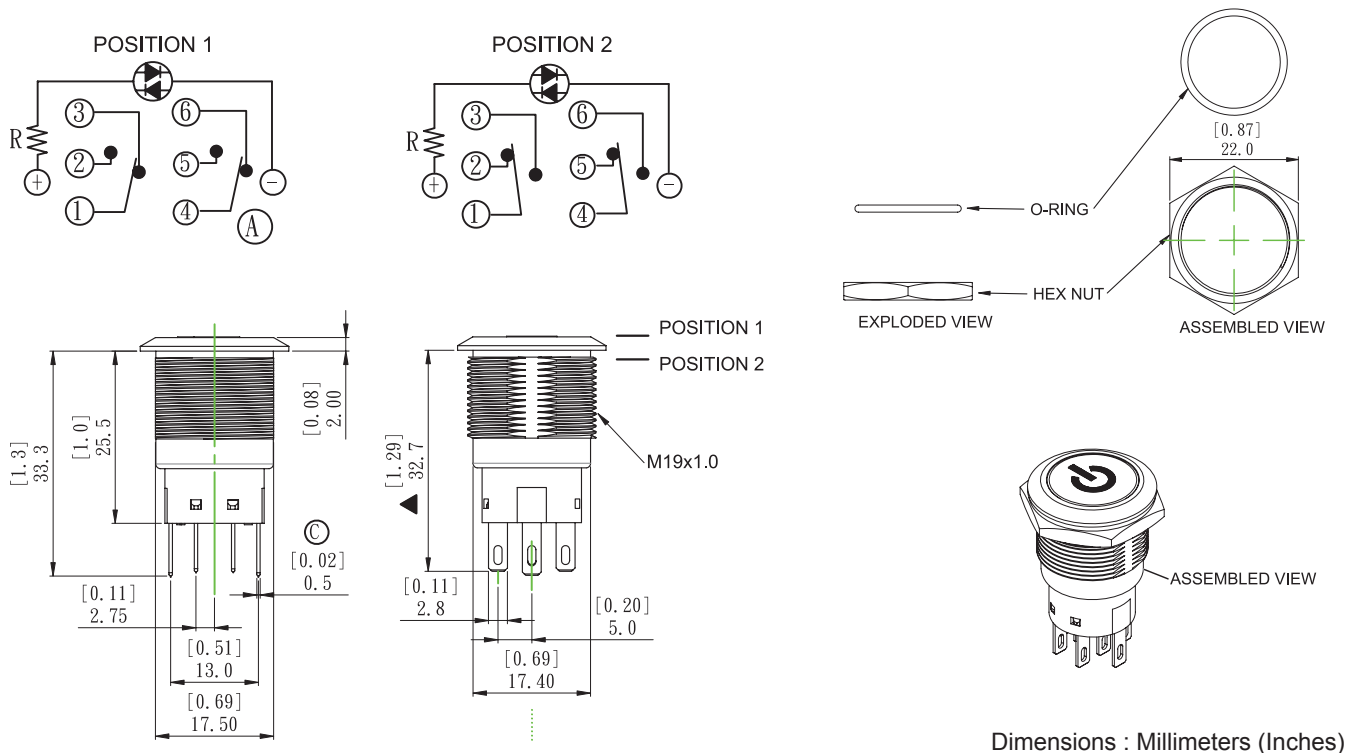


Dimensions : Millimeters (Inches)

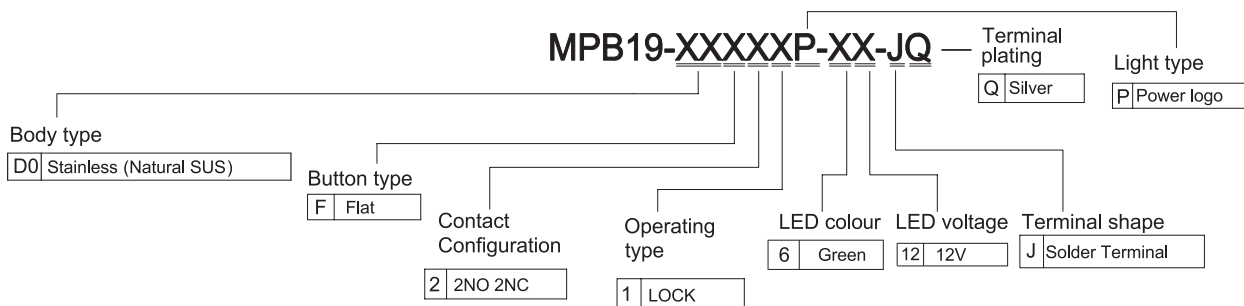
www.element14.com  
www.farnell.com  
www.newark.com



# Metal Pushbutton Switch



## Part Number Explanation



## Part Number Table

Description	Part Number
Metal Pushbutton Switch	MPB19-D0F21P-612-JQ

**Important Notice :** This data sheet and its contents (the "Information") belong to the members of the Premier Farnell group of companies (the "Group") or are licensed to it. No licence is granted for the use of it other than for information purposes in connection with the products to which it relates. No licence of any intellectual property rights is granted. The Information is subject to change without notice and replaces all data sheets previously supplied. The Information supplied is believed to be accurate but the Group assumes no responsibility for its accuracy or completeness, any error in or omission from it or for any use made of it. Users of this data sheet should check for themselves the Information and the suitability of the products for their purpose and not make any assumptions based on information included or omitted. Liability for loss or damage resulting from any reliance on the Information or use of it (including liability resulting from negligence or where the Group was aware of the possibility of such loss or damage arising) is excluded. This will not operate to limit or restrict the Group's liability for death or personal injury resulting from its negligence. Multicom is the registered trademark of the Group. © Premier Farnell plc 2012.

