

MCM CUSTOM AUDIO

Installation Manual

MODEL:50-16615

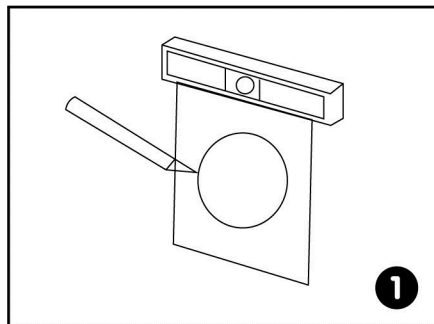
- *2-Way Coaxial Speaker System
- *New Molded Woven Cone with Rubber Edge
- *Directable 1" Titanium Dome Tweeter
- *High-strength ABS plastic Ceiling Frame
- *Power:80 Watts Max
- *Frequency Range: 80Hz ~ 20KHz
- *SPL(1W/1M): 93 dB
- *Impedance:8 Ohm
- *Magnet Weight:10 Oz
- * Overall Frame Diameter: 9"
- * Cutout Diameter: 7.75"
- * Mounting Depth: 2.9"



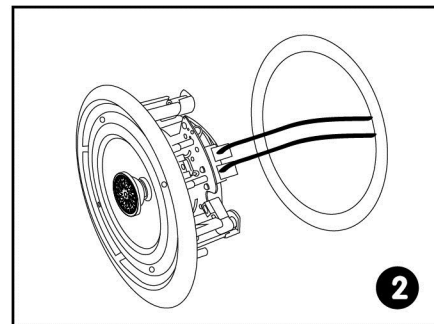
MCM Custom Audio
Division of MCM Electronics
650 Congress Park Drive
Centerville, Ohio 45459
www.mcmelectronics.com

© 2010 MCM a Premier Farnell Company

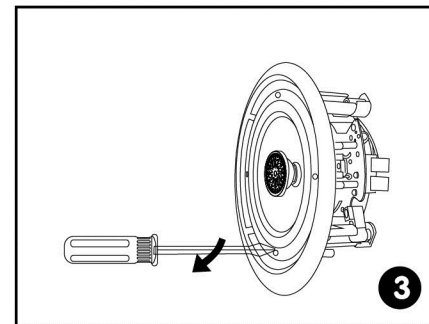
Installation Guide



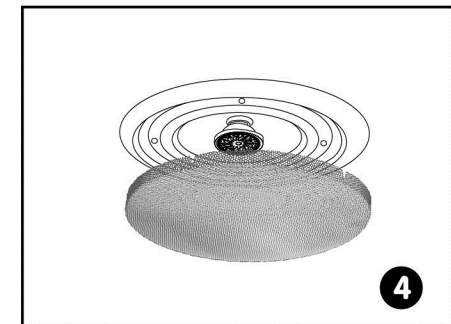
Cut the drywall.
Note:Always allow at least one-half inch between a wall stud and the speaker cutout or the locking tabs will not be able to swivel into place.



Connect the speaker wires to the speaker.



Screw down each of the four Phillips head screws.The locking tabs will swivel into place and secure the unit to the rear surface of the drywall. Put in the strips of adhesive to secure the grille.



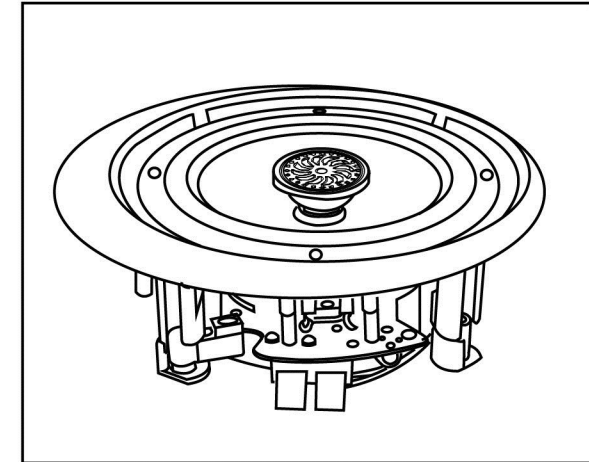
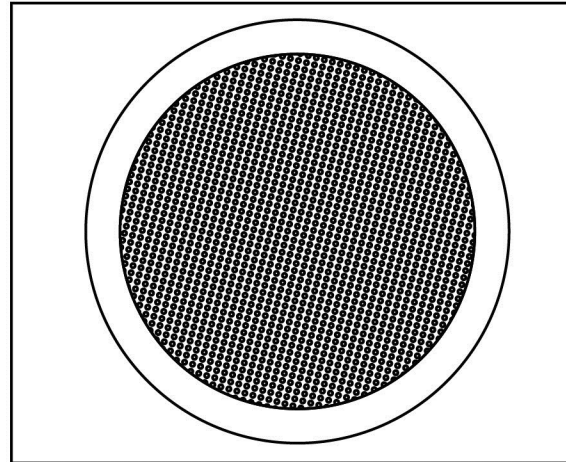
Replace the metal grille.

MCM CUSTOM AUDIO

Installation Manual

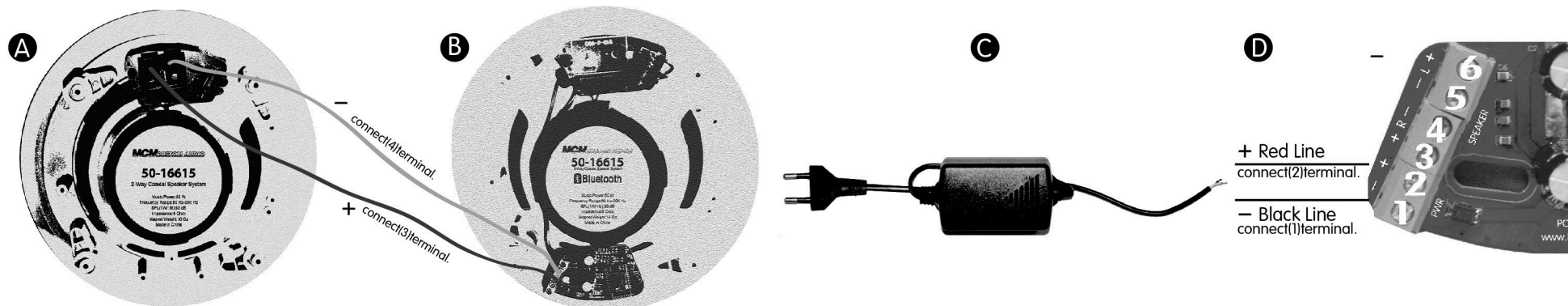


MODEL:50-16615 2-Way Coaxial Speaker System



Bluetooth Device Name: MCM
Bluetooth Password: MCMAU

Wiring instructions



In picture A the ceiling speaker is without bluetooth,in picture B the ceiling speaker with bluetooth,in picture C is the adapter,in picture D is the bluetooth connection enlargement.As the picture showed(1),(2)the terminal connect with the adapter, pay attention to the positive and negative connection,the adapter in Red wire is the positive connection.(2)Terminal,adapter black wire is the negative,to connect(1)terminal.(3)The terminal connect picture A positive pole,that A is without bluetooth ceiling speaker.(4)The terminal connect to picture A the nagtive pole,that A is without BT ceiling speaker.Installation done.