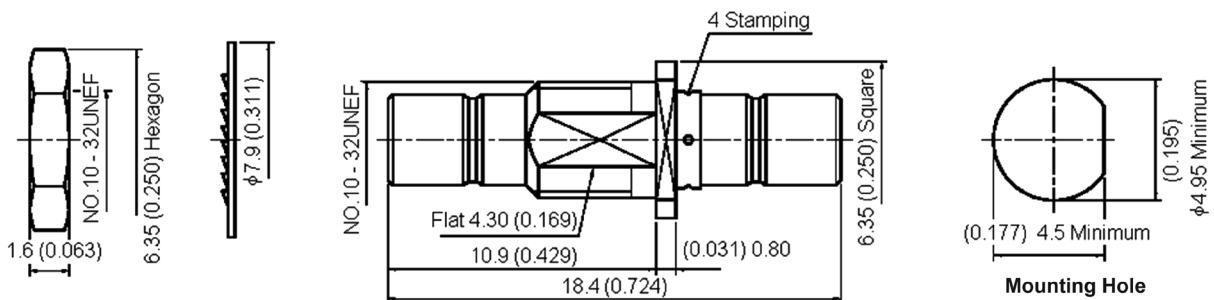


Adaptor SMB Jack to Jack



Specifications:

Connector Type	: Inter Series Coaxial
Connector Type A	: SMB B/Head Jack
Connector Type B	: SMB Jack
Contact Material	: Beryllium Copper
Contact Material	: Male - Brass Female - Beryllium Copper
Contact Plating	: Gold over Nickel
Contact Plating	: Gold
Contact Resistance	: 6mΩ
Impedance	: 50Ω
Insulation Resistance	: 1,000MΩ
Insulator Material	: PTFE
No. of Mating Cycles	: 500
Operating Frequency Max	: 4GHz
Operating Temperature	: -65°C to +165°C
Working Voltage	: 250V
Connector interface per MIL-STD-348A.	
Part to be clean and free of burrs.	



Dimensions : Millimetres (Inches)

Number	Description	Material	Finish
1	Nut	Brass	Gold
2	Washer		
3	Insulation	PTFE	None
4	Centre Contact	Brass	Gold 30μ" Min.
5	Body		Gold 3μ" Min.

Part Number Table

Description	Part Number
Adaptor, SMB Jack to Jack	24-16-1-TGG

Important Notice : This data sheet and its contents (the "Information") belong to the members of the Premier Farnell group of companies (the "Group") or are licensed to it. No licence is granted for the use of it other than for information purposes in connection with the products to which it relates. No licence of any intellectual property rights is granted. The Information is subject to change without notice and replaces all data sheets previously supplied. The Information supplied is believed to be accurate but the Group assumes no responsibility for its accuracy or completeness, any error in or omission from it or for any use made of it. Users of this data sheet should check for themselves the Information and the suitability of the products for their purpose and not make any assumptions based on information included or omitted. Liability for loss or damage resulting from any reliance on the Information or use of it (including liability resulting from negligence or where the Group was aware of the possibility of such loss or damage arising) is excluded. This will not operate to limit or restrict the Group's liability for death or personal injury resulting from its negligence. Multicomp is the registered trademark of the Group. © Premier Farnell plc 2012.

